

Job Name: 26-1334 Lebanon Meter Vault
 Job Location: Lebanon, TN
 Contractor: Hayes Pipe Supply

Plant: 100

3/10/2026 8:40:01 AM

Tech: Jared - A

PC: Erica Bradley



Structure ID: 2

P1 BX3161-03W5.5F-BAVF

BOX BASE 3inW, 5.5inF, Variable Ht

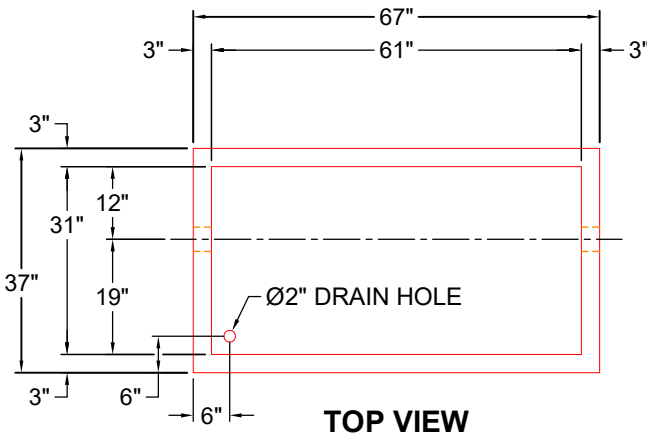
- P2) 31" x 61" - CASTING HEIGHT - 0"
- P1) 31" x 61" - BOX BASE 3inW, 5.5inF, Variable Ht - 28"
- 2) Hole - 4

- Structure Notes:
1. PER ASTM C913 SPECIFICATIONS.
 2. CONCRETE = 5,000 PSI AT 28 DAYS.
 3. NO INVERT CHANNEL.

Structure Total: 2519 lb

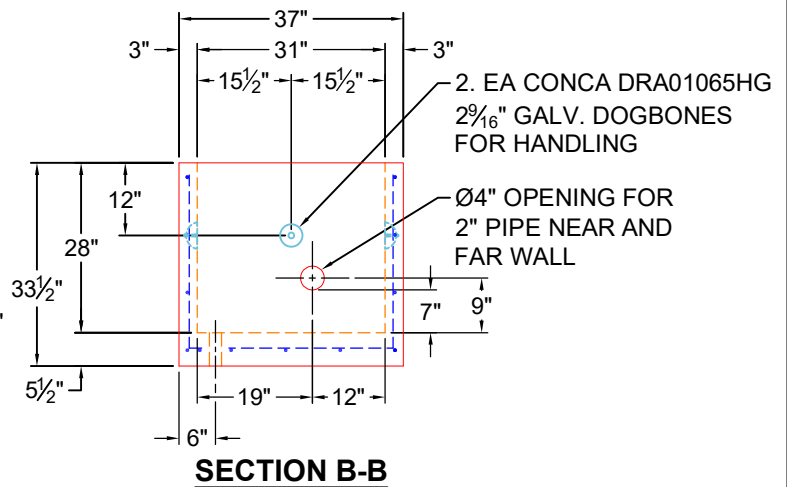
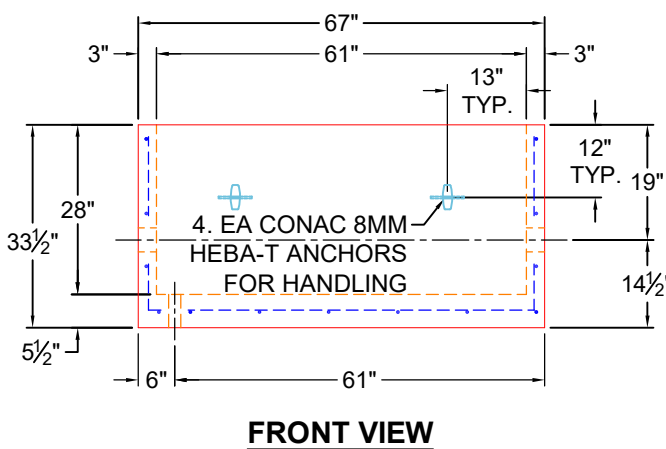
REINFORCING PER ASTM A615 (GRADE 60).
 - WALLS (As .31) #3 BARS AT 12" C.C.E.W.
 - FLOOR (As .31) #3 BARS AT 12" C.C.E.W.

Rim: 1.667' Rim to Invert: 1.667' Slack: 0" Sump: 8" Step Position:



GENERAL NOTES:

1. MANUFACTURED TO ASTM C-913 (LATEST REVISION).
2. CONCRETE: 5,000 PSI AT 28 DAYS.
3. REINFORCING: #3 BAR @ 12" E.W. O.C. (GRADE 60).



Coating (Int):
 Coating (Ext):

Seam Up: Flat
 Seam Dn: n/a

Wall Thickness: 3"
 Floor Height: 5.5"

Height (Int): 28"
 Height (Ext): 33.5"

Weight (Net): 2519 lb
 Volume (Net): 0.64cu.yd