

Job Name: 26-1329 832168 Trademark Office & Contractor Shop
Job Location: Bardstown, KY
Contractor: Contech Engineering Solutions

PC: T. Sekula
 TECH: S. Felletter
 Plant: Beaver Dam



Structure ID: **10-CS-4**
 Spec: Storm-Pipe Centered
 Type: STM.MH
 Size: 48"

Rim: 709'
 Invert: 703.34'
 Rim to Invert: 5.66'

Sump: 51"
 Floor (Top): 699.09'
 Floor Height: 6"

Floor (Bot): 698.59'
 Overall Height: 9.833'
 Slack: 6.92"

Structure Notes:
 4" CASTING BY OTHERS

LIFTING ANCHORS TO BE INSTALLED
 ON THE OUTSIDE OF THE STRUCTURE

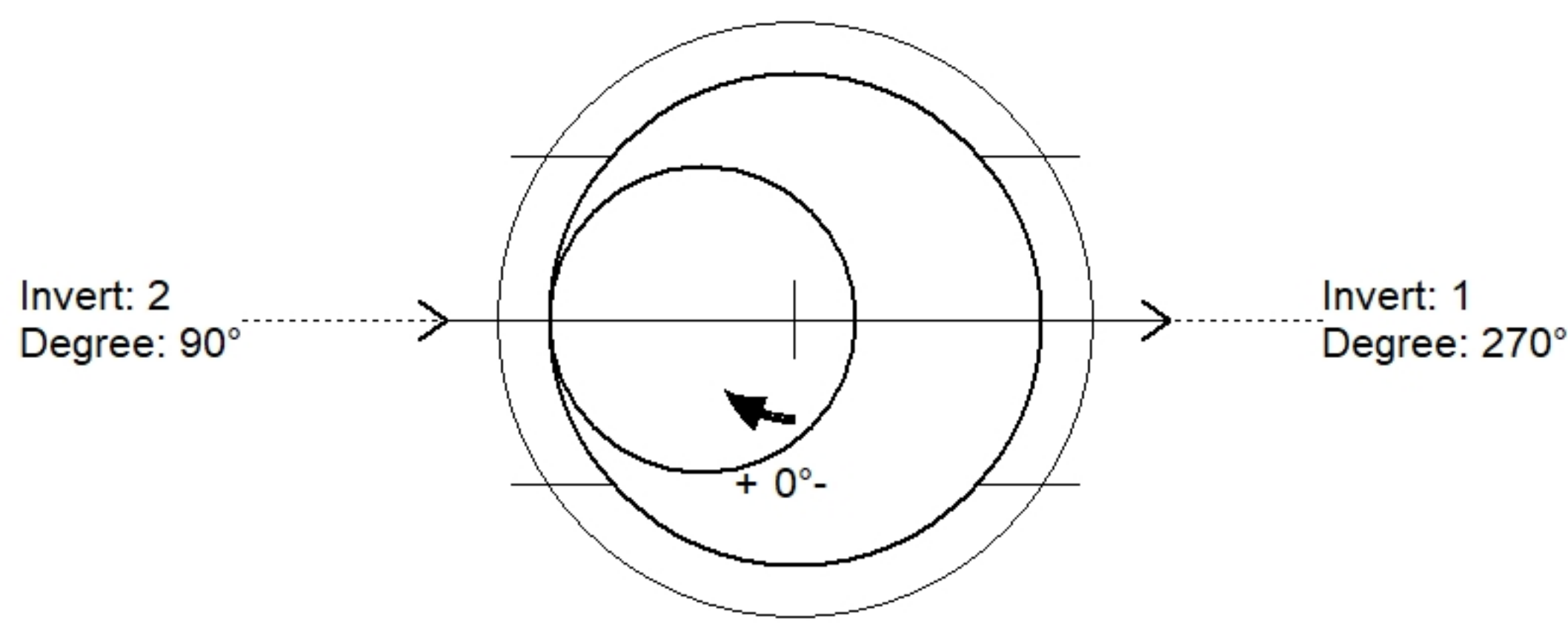
ICAST TO INSTALL THE INTERNALS

CONTECH'S LOGO AS WELL AS THE
 INLET AND OUTLET MUST BE
 STENCILED ONTO THE STRUCTURE

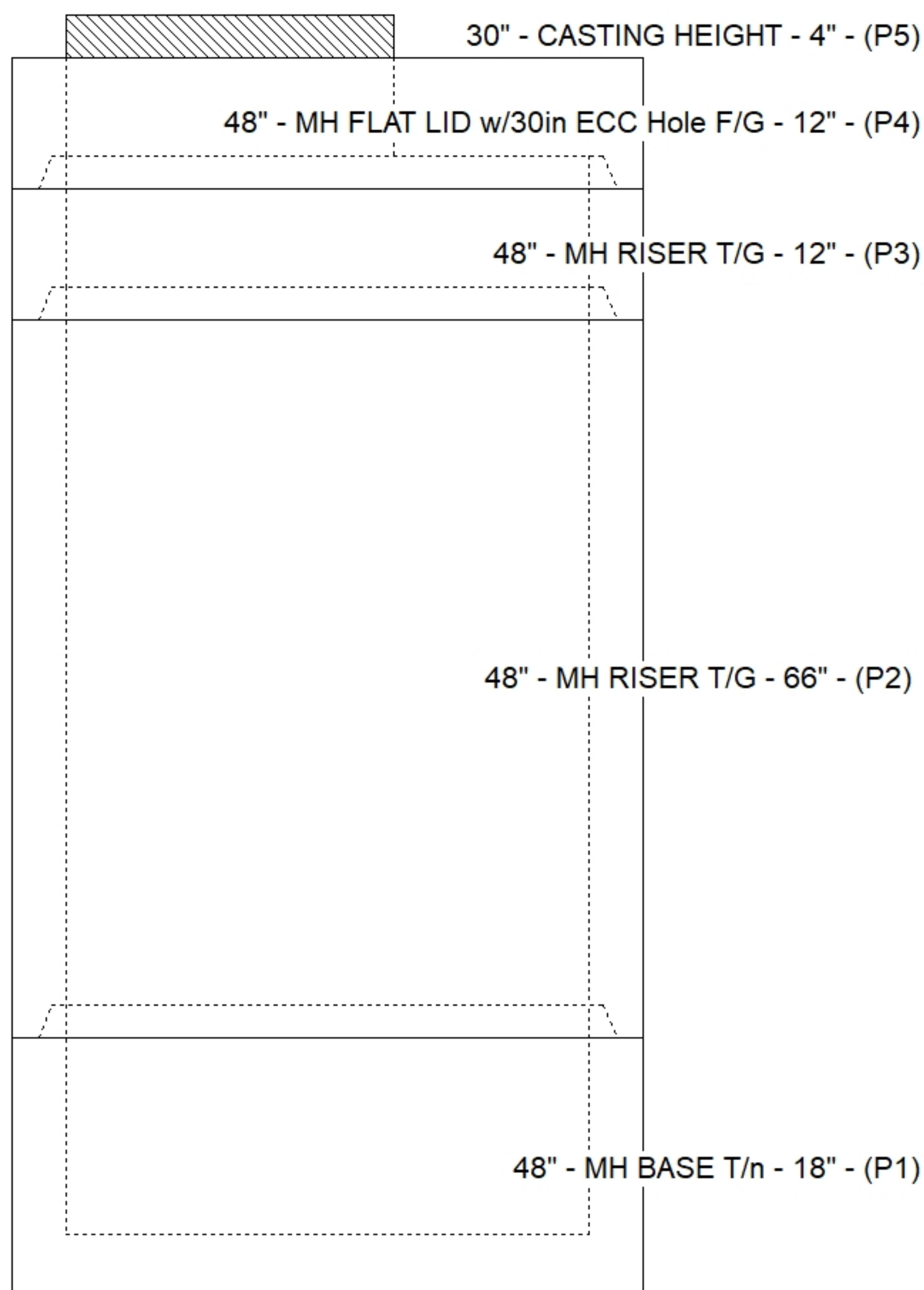
STRUCTURE SUMMARY:

P5) 30" - CASTING HEIGHT - 4"	0 lb
P4) 48" - MH FLAT LID w/30in ECC Hole F/G - 12"	1413 lb
P3) 48" - MH RISER T/G - 12"	838 lb
P2) 48" - MH RISER T/G - 66"	3884 lb
P1) 48" - MH BASE T/n - 18"	2588 lb
1) CVSTENCILING	0 lb
1) ASSEMBLY REQUIRED	0 lb
3) 48" - Conseal CS-102 1.00"	0 lb
2) Hole - 32	0 lb

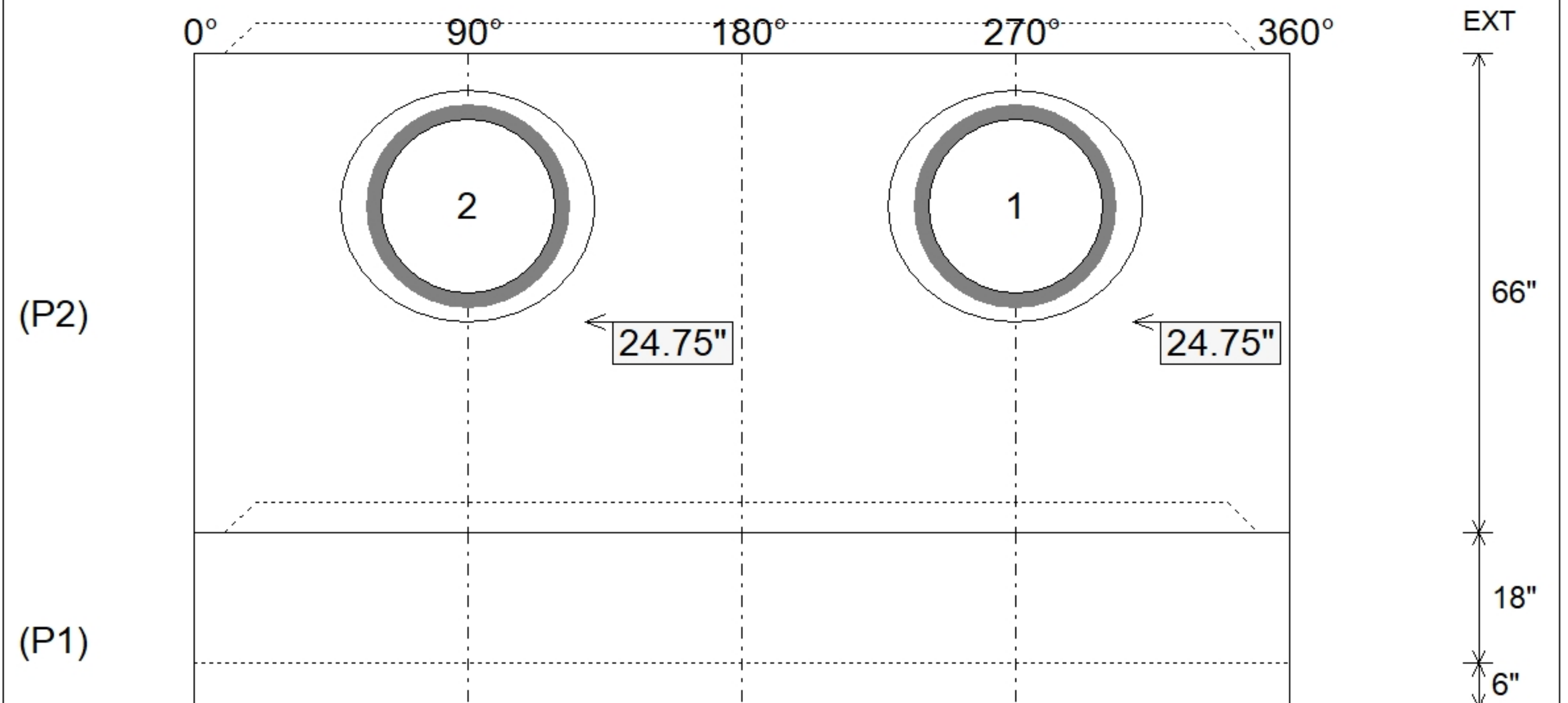
Structure Total:	8723 lb



Position	Elev	Angle	Pipe	Pipe OD	Hole	Connector	Up (')	Ref
Rim	709'							
Reducer								
Invert 1	703.34'	270°	24" HDPE	27.8"	32"	Hole 32	24.75"	P2
Invert 2	703.34'	90°	24" HDPE	27.8"	32"	Hole 32	24.75"	P2
Invert 3								
Invert 4								
Invert 5								
Invert 6								
Invert 7								
Invert 8								



Default - Interior Dimensions



Submittal Drawing
 2/13/2026 9:44:51 AM

SUBMITTAL
 APPROVED BY: