

Job Name: 26-1326 ADS 15 Meritage Homes
Job Location: Antioch, TN
Contractor: ADS Advanced Drainage Systems, Inc.

PC: C. Goff
 TECH: S. Felletter
 Plant: Beaver Dam



Structure ID: **WQU5-6**
 Spec: Storm
 Type: STM.MH
 Size: 120"

Rim: 606.51'
 Invert: 596.25'
 Rim to Invert: 10.26'

Sump: 162"
 Floor (Top): 582.75'
 Floor Height: 12"

Floor (Bot): 581.75'
 Overall Height: 24.75'
 Slack: 0.12"

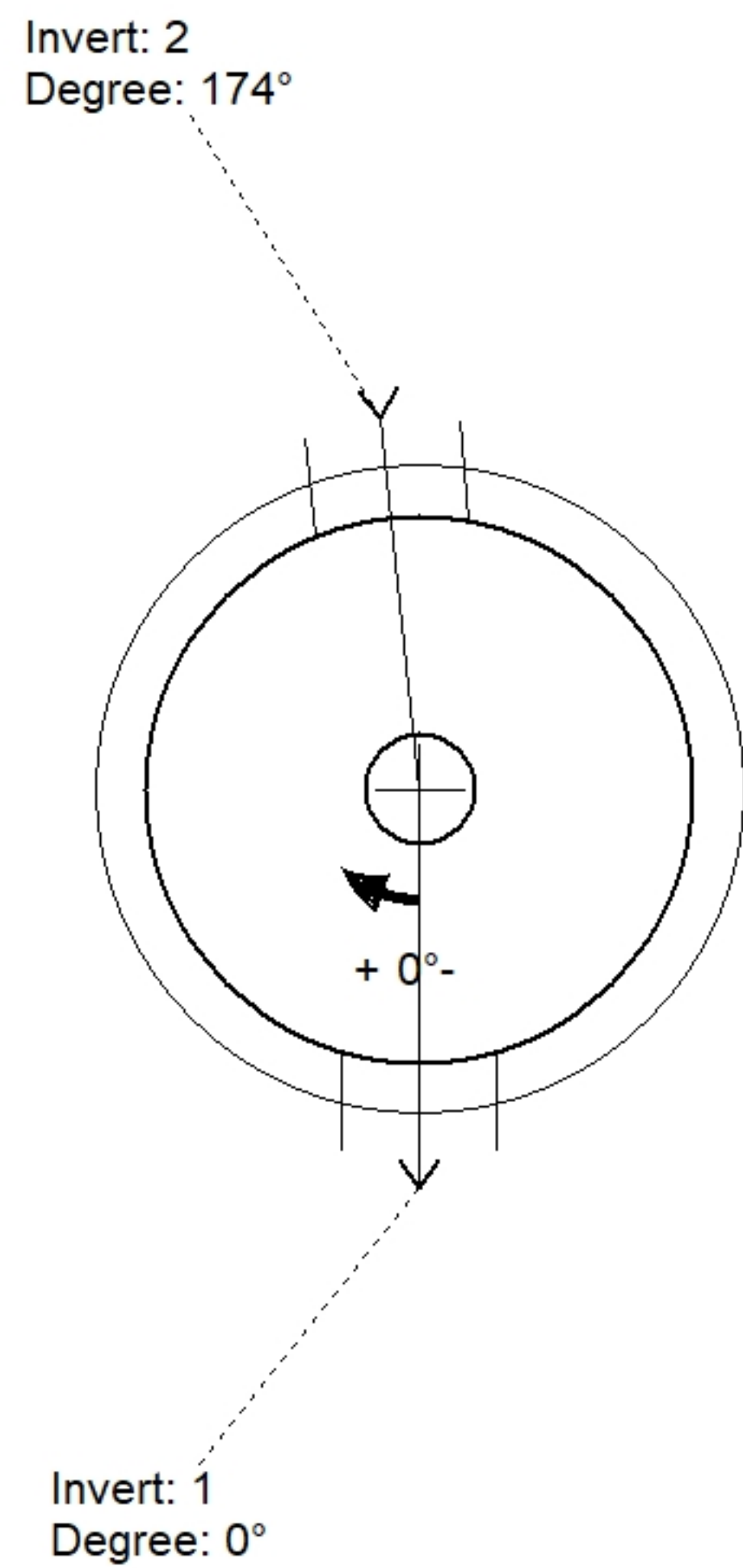
Structure Notes:

1. PER ASTM C478 SPECIFICATIONS.
2. CONCRETE = 4,000 PSI AT 28 DAYS.
3. CASTING BY ICAST (HOE MC-375 F/C "STORM").
4. LIFTING ANCHORS TO BE INSTALLED ON THE OUTSIDE OF THE STRUCTURE.

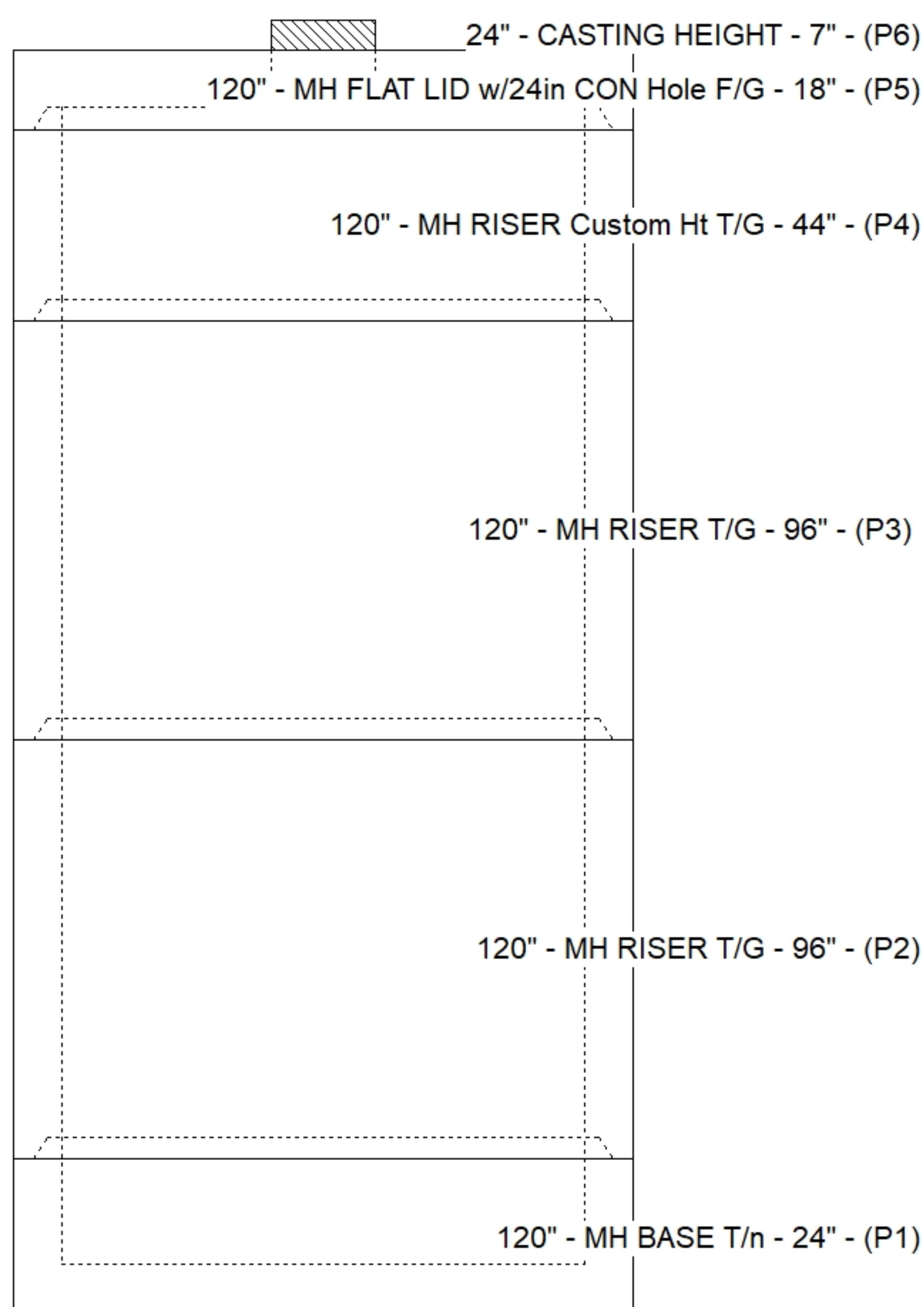
REINFORCING PER ASTM A615 (GRADE 60).
 - TOP SLAB (As .62) #5 BARS AT 6" C.C.E.W..
 - RISER/WALLS (As .36)
 - FLOOR (As .47) #5 BARS AT 8" C.C.E.W.

STRUCTURE SUMMARY:

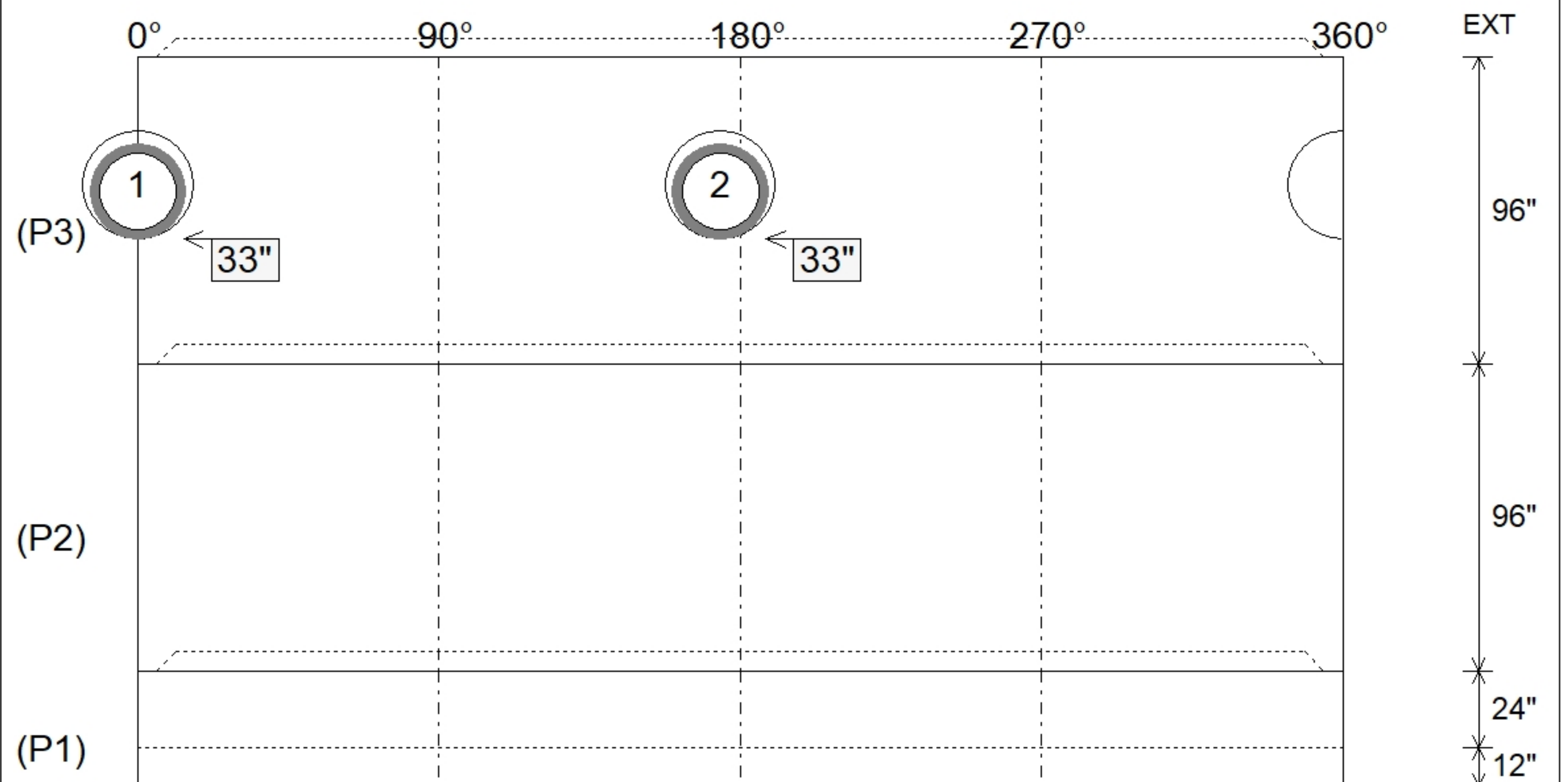
P6) 24" - CASTING HEIGHT - 7"	0 lb
P5) 120" - MH FLAT LID w/24in CON Hole F/G - 18"	16678 lb
P4) 120" - MH RISER Custom Ht T/G - 44"	16714 lb
P3) 120" - MH RISER T/G - 96"	34772 lb
P2) 120" - MH RISER T/G - 96"	36468 lb
P1) 120" - MH BASE T/n - 24"	25064 lb
1) ASSEMBLY REQUIRED - BRACKETS	0 lb
1) CASTING - HOE MC-375 F/C Storm	271 lb
4) 120" - Conseal CS-102 1.00" (Double)	0 lb
2) Hole - 34	0 lb
Structure Total:	129967 lb



Position	Elev	Angle	Pipe	Pipe OD	Hole	Connector	Up (L)	Ref
Rim	606.51'							
Reducer								
Invert 1	596.25'	0°	24" RCP B WALL	30"	34"	Hole 34	33"	P3
Invert 2	596.25'	174°	24" RCP B WALL	30"	34"	Hole 34	33"	P3
Invert 3								
Invert 4								
Invert 5								
Invert 6								
Invert 7								
Invert 8								



Default - Interior Dimensions



Submittal Drawing
 2/24/2026 8:34:30 AM

SUBMITTAL
 APPROVED BY: