

Job Name: 26-1326 ADS 15 Meritage Homes
Job Location: Antioch, TN
Contractor: ADS Advanced Drainage Systems, Inc.

PC: C. Goff
 TECH: S. Felletter
 Plant: Beaver Dam



Structure ID: **WQU4-5**
 Spec: Storm
 Type: STM.MH
 Size: 48"

Rim: 612.55'
 Invert: 608.3'
 Rim to Invert: 4.25'

Sump: 81"
 Floor (Top): 601.55'
 Floor Height: 6"

Floor (Bot): 601.05'
 Overall Height: 11.5'
 Slack: 0"

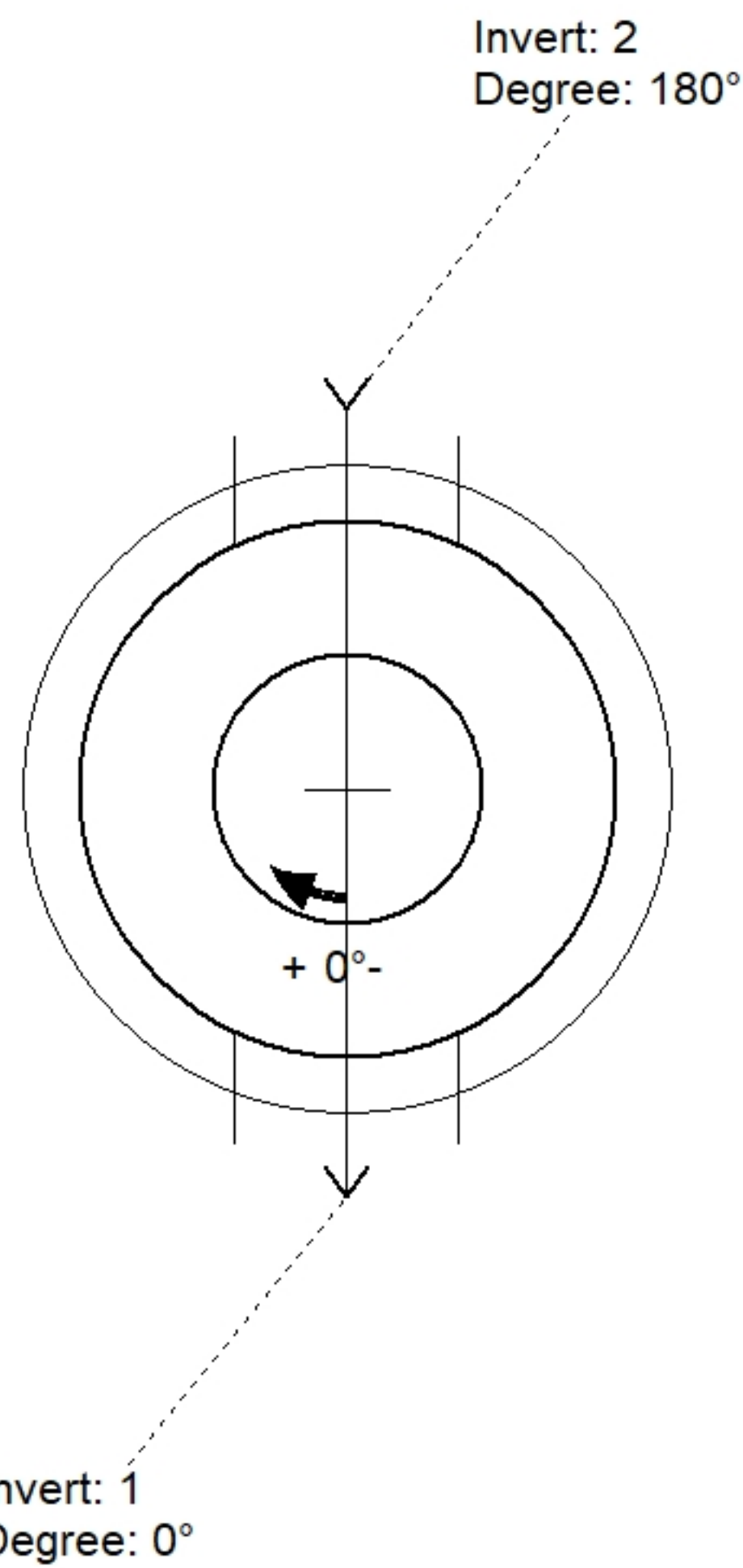
Structure Notes:

- PER ASTM C478 SPECIFICATIONS.
- CONCRETE = 4,000 PSI AT 28 DAYS.
- CASTING BY ICAST (HOE MC-375 F/C "STORM").
- LIFTING ANCHORS TO BE INSTALLED ON THE OUTSIDE OF THE STRUCTURE.
- P2 & P3 RISERS TO BE MECHANICALLY ATTACHED BEFORE INTERNAL INSTALLATION/DELIVERY.

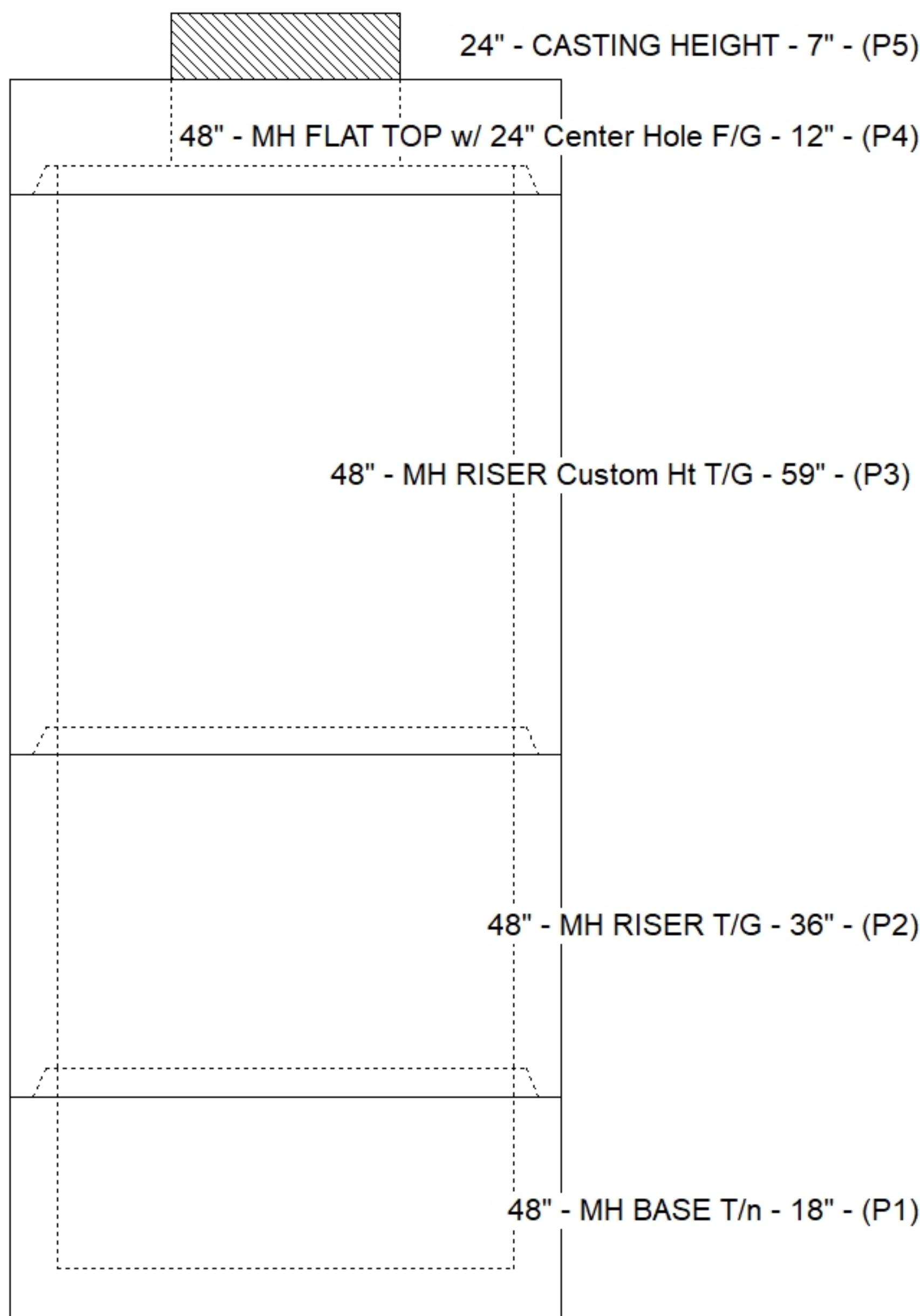
REINFORCING PER ASTM A615 (GRADE 60).
 - TOP SLAB (As .62) #5 BARS AT 6" C.C.E.W..
 - RISER/WALLS (As .12)
 - FLOOR (As .31) #5 BARS AT 12" C.C.E.W.

STRUCTURE SUMMARY:

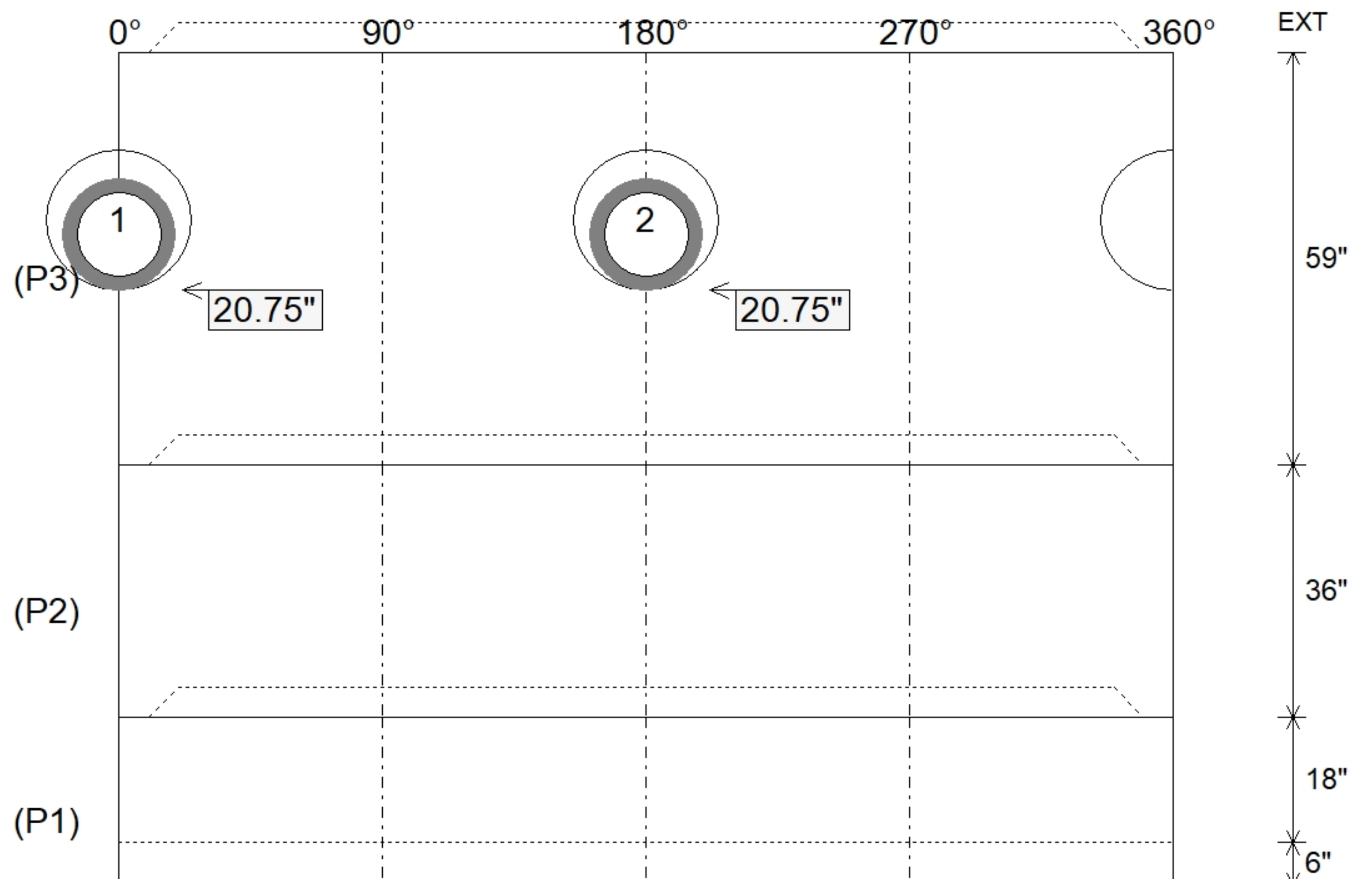
P5) 24" - CASTING HEIGHT - 7"	0 lb
P4) 48" - MH FLAT TOP w/ 24" Center Hole F/G - 12"	1580 lb
P3) 48" - MH RISER Custom Ht T/G - 59"	3851 lb
P2) 48" - MH RISER T/G - 36"	2515 lb
P1) 48" - MH BASE T/n - 18"	2588 lb
1) ASSEMBLY REQUIRED	0 lb
1) CASTING - HOE MC-375 F/C Storm	271 lb
3) 48" - Conseal CS-102 1.00" (Double)	0 lb
2) Hole - 20	0 lb
Structure Total:	10805 lb



Position	Elev	Angle	Pipe	Pipe OD	Hole	Connector	Up (")	Ref
Rim	612.55'							
Reducer								
Invert 1	608.3'	0°	12" RCP B WALL	16"	20"	Hole 20	20.75"	P3
Invert 2	608.3'	180°	12" RCP B WALL	16"	20"	Hole 20	20.75"	P3
Invert 3								
Invert 4								
Invert 5								
Invert 6								
Invert 7								
Invert 8								



Default - Interior Dimensions



Submittal Drawing
 2/24/2026 8:34:29 AM

SUBMITTAL
 APPROVED BY: