

**Job Name: 26-1326 ADS 15 Meritage Homes**  
**Job Location: Antioch, TN**  
**Contractor: ADS Advanced Drainage Systems, Inc.**

PC: C. Goff  
 TECH: S. Felletter  
 Plant: Beaver Dam



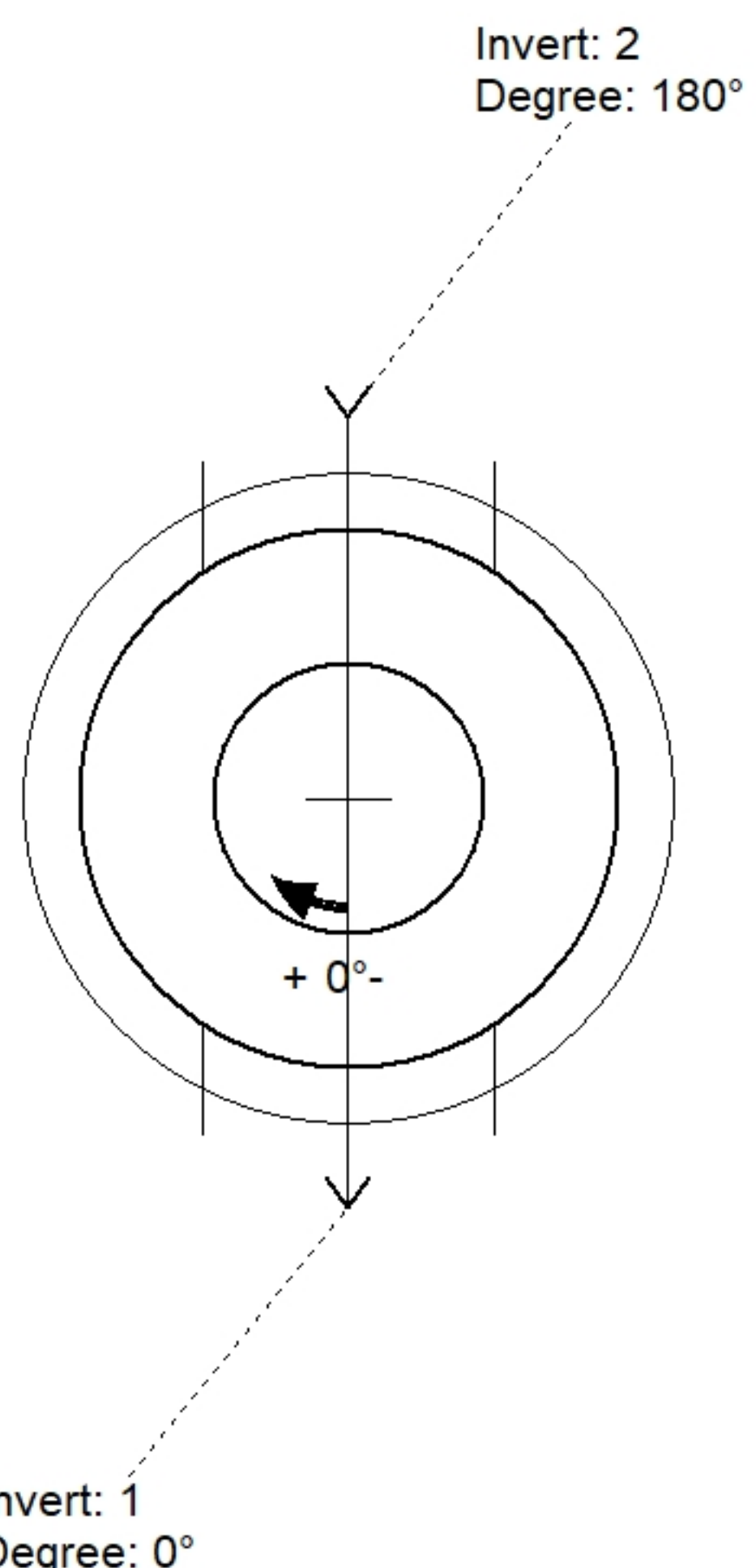
Structure ID: **WQU3-4**  
 Spec: Storm Rim: 617.87' Sump: 81" Floor (Bot): 604.77'  
 Type: STM.MH Invert: 612.02' Floor (Top): 605.27' Overall Height: 12.583'  
 Size: 48" Rim to Invert: 5.85' Floor Height: 6" Slack: 6.2"

**Structure Notes:**  
 1. PER ASTM C478 SPECIFICATIONS.  
 2. CONCRETE = 4,000 PSI AT 28 DAYS.  
 3. CASTING BY ICAST (HOE MC-375 F/C "STORM").  
 4. LIFTING ANCHORS TO BE INSTALLED ON THE OUTSIDE OF THE STRUCTURE.  
 5. P2 & P3 RISERS TO BE MECHANICALLY ATTACHED BEFORE INTERNAL INSTALLATION/DELIVERY.

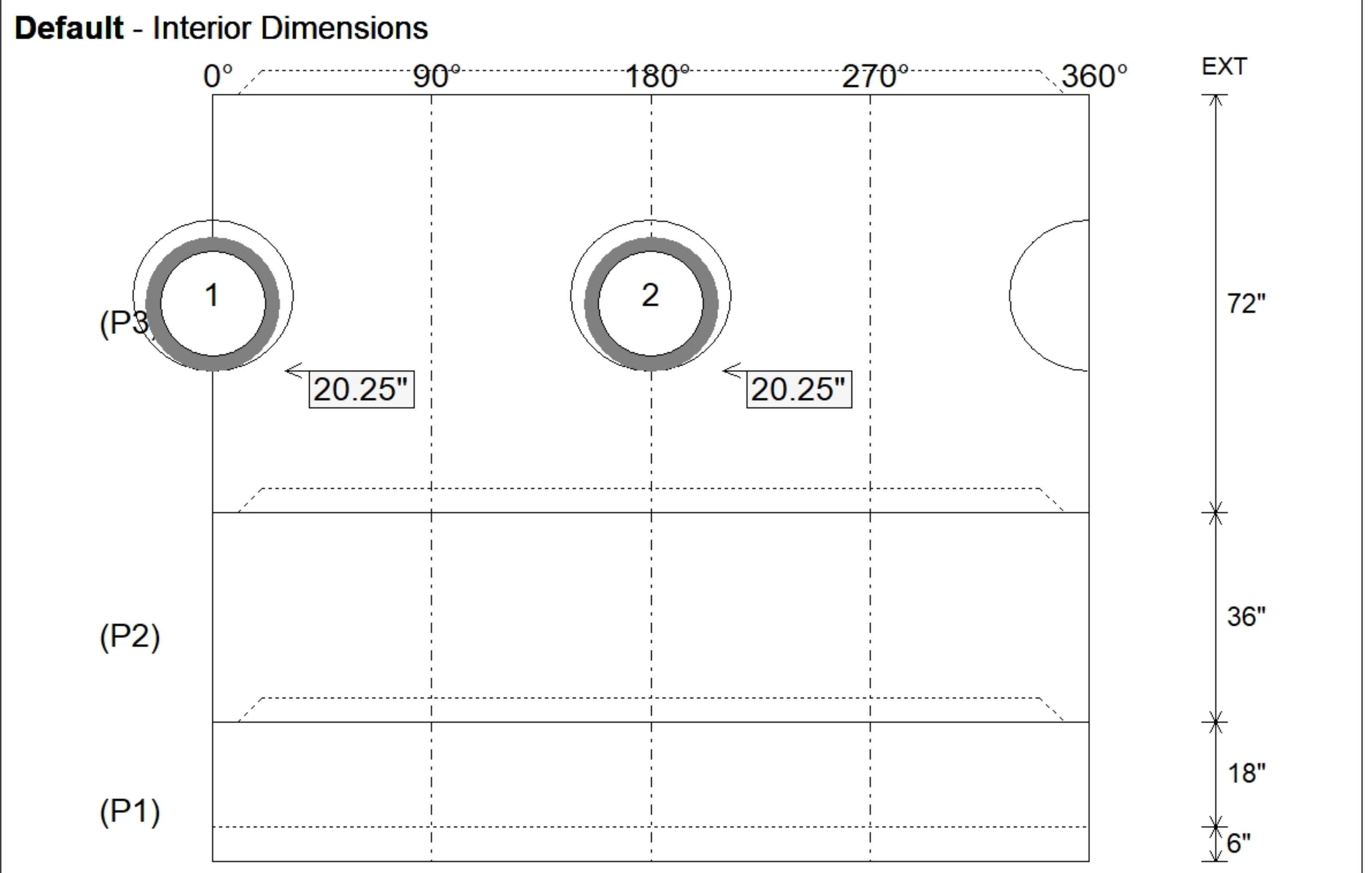
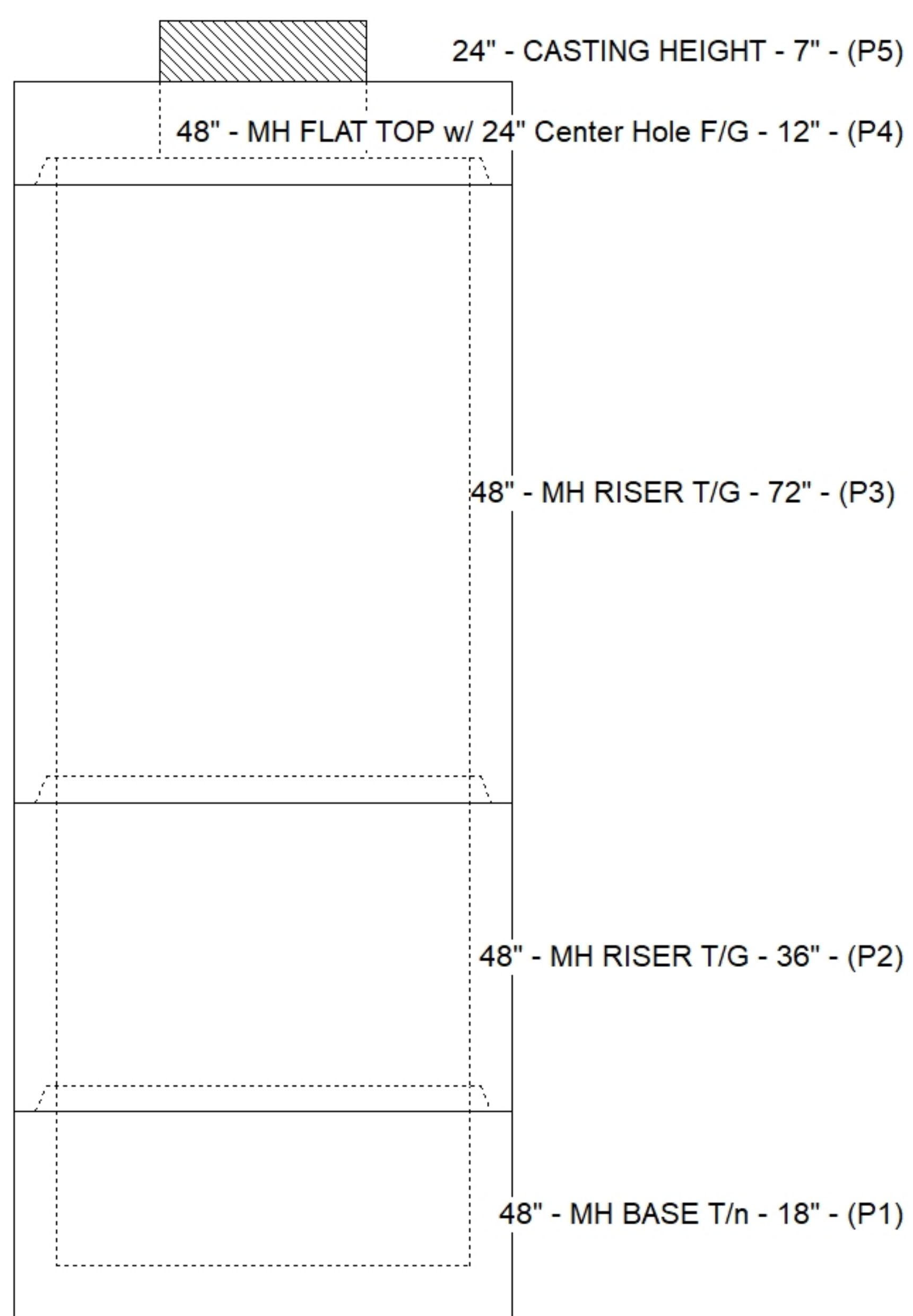
REINFORCING PER ASTM A615 (GRADE 60).  
 - TOP SLAB (As .62) #5 BARS AT 6" C.C.E.W..  
 - RISER/WALLS (As .12)  
 - FLOOR (As .31) #5 BARS AT 12" C.C.E.W.

**STRUCTURE SUMMARY:**

P5) 24" - CASTING HEIGHT - 7"	0 lb
P4) 48" - MH FLAT TOP w/ 24" Center Hole F/G - 12"	1580 lb
P3) 48" - MH RISER T/G - 72"	4563 lb
P2) 48" - MH RISER T/G - 36"	2515 lb
P1) 48" - MH BASE T/n - 18"	2588 lb
1) ASSEMBLY REQUIRED	0 lb
1) CASTING - HOE MC-375 F/C Storm	271 lb
3) 48" - Conseal CS-102 1.00" (Double)	0 lb
2) Hole - 26	0 lb
<b>Structure Total:</b>	<b>11517 lb</b>



Position	Elev	Angle	Pipe	Pipe OD	Hole	Connector	Up (")	Ref
Rim	617.87'							
Reducer								
Invert 1	612.02'	0°	18" RCP B WALL	23"	26"	Hole 26	20.25"	P3
Invert 2	612.02'	180°	18" RCP B WALL	23"	26"	Hole 26	20.25"	P3
Invert 3								
Invert 4								
Invert 5								
Invert 6								
Invert 7								
Invert 8								



Submittal Drawing 2/24/2026 8:34:28 AM SUBMITTAL APPROVED BY: