

**Structure ID: WQU2-3**

**P3 MH120RSVF**

**MH RISER Custom Ht T/G**

P6) 24" - CASTING HEIGHT - 7" P5) 120" - MH FLAT LID w/24in CON Hole F/G - 18" P4) 120" - MH RISER T/G - 24" P3) 120" - MH RISER Custom Ht T/G - 89" P2) 120" - MH RISER T/G - 96" P1) 120" - MH BASE T/n - 24" 1) ASSEMBLY REQUIRED - BRACKETS 1) CASTING - HOE MC-375 F/C Storm 4) 120" - Conseal CS-102 1.00" (Double) 2) Hole - 34	<table style="width:100%; border-collapse: collapse;"> <tr><td>0 lb</td></tr> <tr><td>16678 lb</td></tr> <tr><td>9117 lb</td></tr> <tr><td>32113 lb</td></tr> <tr><td>36468 lb</td></tr> <tr><td>25064 lb</td></tr> <tr><td>0 lb</td></tr> <tr><td>271 lb</td></tr> <tr><td>0 lb</td></tr> <tr><td>0 lb</td></tr> <tr><td>-----</td></tr> <tr><td>Structure Total: 119710 lb</td></tr> </table>	0 lb	16678 lb	9117 lb	32113 lb	36468 lb	25064 lb	0 lb	271 lb	0 lb	0 lb	-----	Structure Total: 119710 lb
0 lb													
16678 lb													
9117 lb													
32113 lb													
36468 lb													
25064 lb													
0 lb													
271 lb													
0 lb													
0 lb													
-----													
Structure Total: 119710 lb													

**Structure Notes:**

1. PER ASTM C478 SPECIFICATIONS.
2. CONCRETE = 4,000 PSI AT 28 DAYS.
3. CASTING BY ICAST (HOE MC-375 F/C "STORM").
4. LIFTING ANCHORS TO BE INSTALLED ON THE OUTSIDE OF THE STRUCTURE.

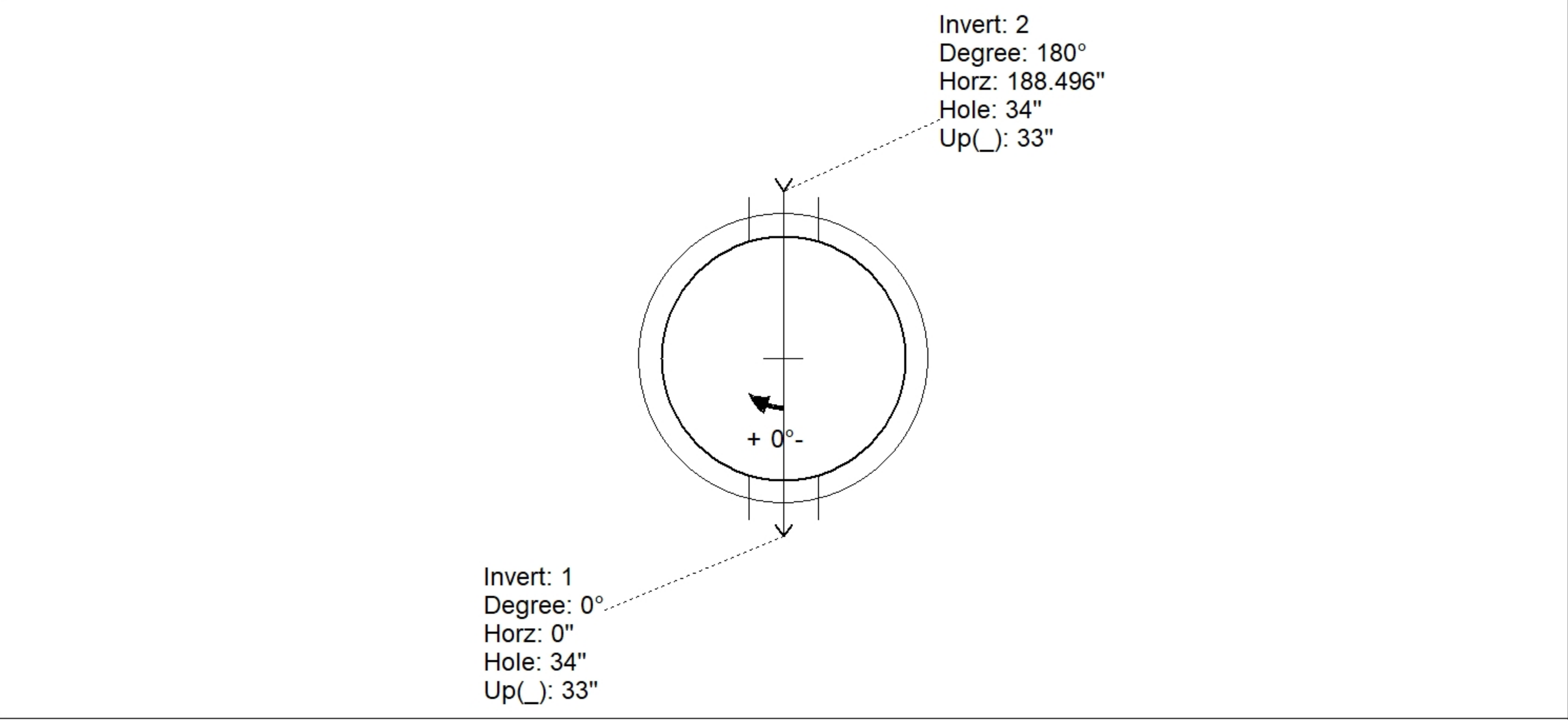
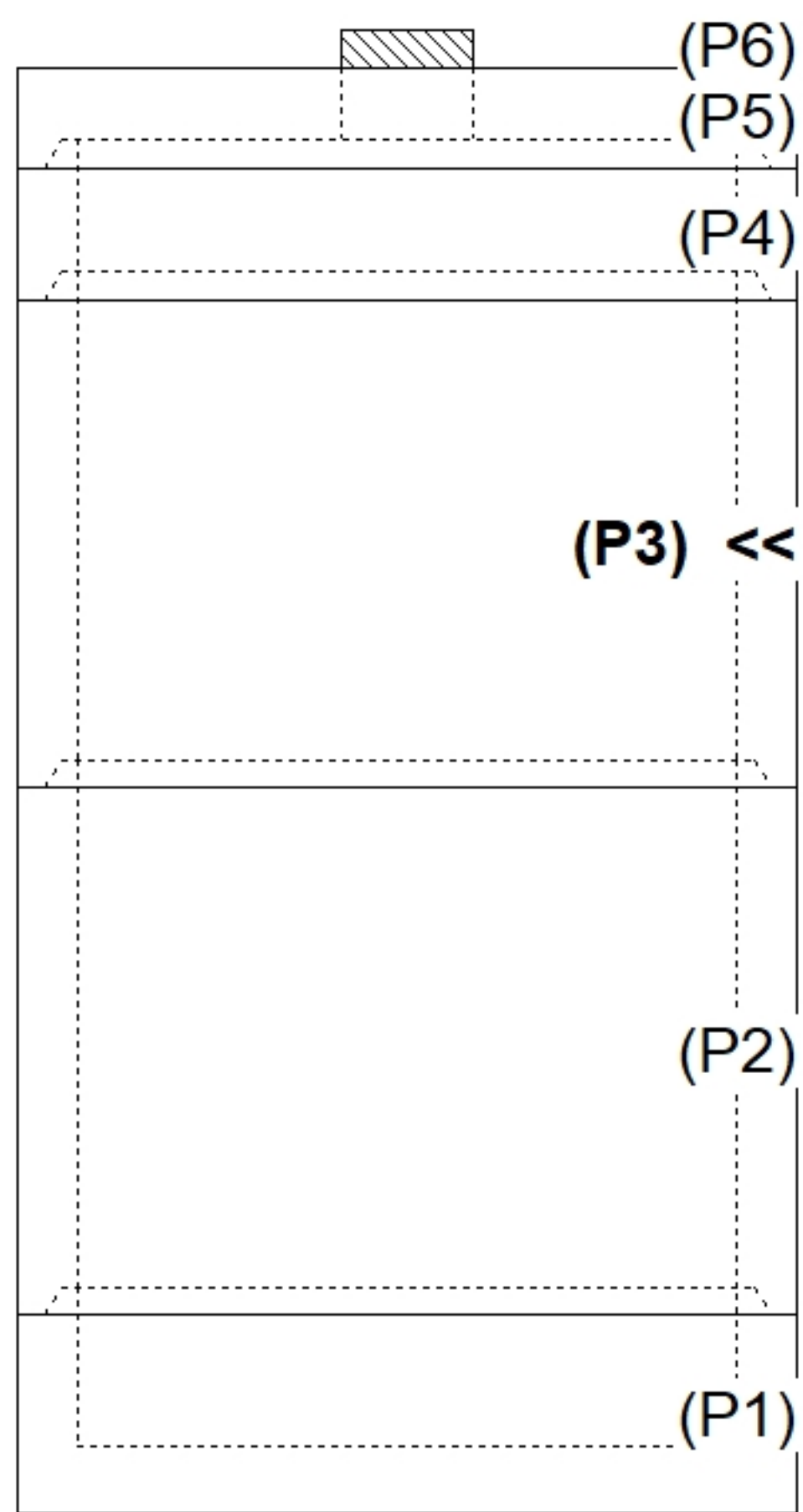
REINFORCING PER ASTM A615 (GRADE 60).

- TOP SLAB (As .62) #5 BARS AT 6" C.C.E.W..
- RISER/WALLS (As .36)
- FLOOR (As .47) #5 BARS AT 8" C.C.E.W.

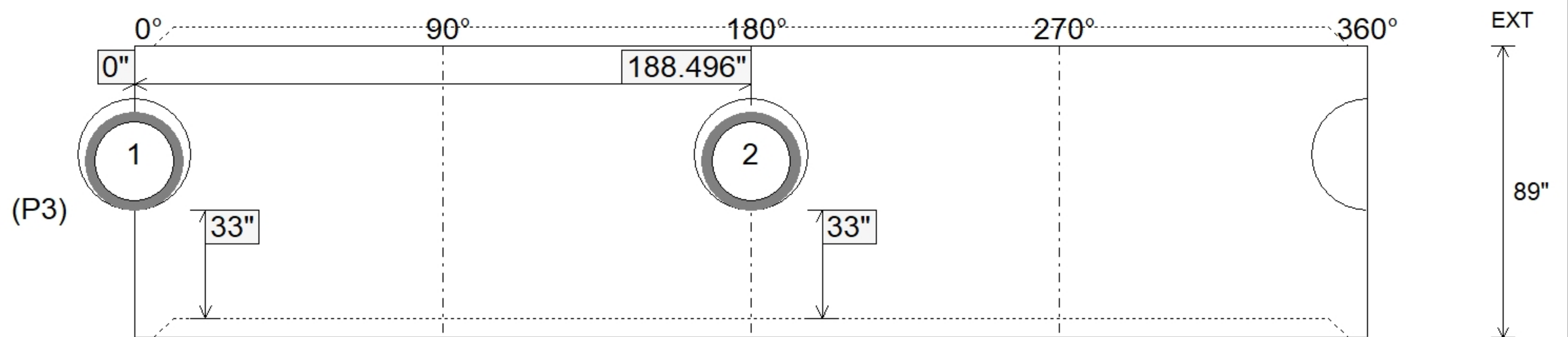
Rim: 615.16'    Rim to Invert: 8.06'    Slack: 0.72"    Sump: 162"    Step Position:

Position	Elev	Angle	Ext. (cw)	Pipe	Pipe OD	Connector	Hole	Horz Size	Up ( )	Offset
Invert 1	607.1'	0°	0"	24" RCP B WALL	30"	Hole 34	34"	34.472"	33"	0"
Invert 2	607.1'	180°	223.053"	24" RCP B WALL	30"	Hole 34	34"	34.472"	33"	0"
Invert 3										
Invert 4										
Invert 5										
Invert 6										
Invert 7										
Invert 8										

**RIGHT-SIDE UP VIEW (int. dimensions)**



**INSIDE WALL DIMENSIONS**



Coating (Int):	Seam Up: Tongue Seam Dn: Groove	Wall Thickness: 11" Floor Height: 0"	Height (Int): 89" Height (Ext): 89"
Coating (Ext):			Weight (Net): 32113 lb Volume (Net): 8.2cu.yd