

Job Name: 26-1326 ADS 15 Meritage Homes
Job Location: Antioch, TN
Contractor: ADS Advanced Drainage Systems, Inc.

PC: C. Goff
 TECH: S. Felletter
 Plant: Beaver Dam



Structure ID: **WQU1-2**
 Spec: Storm
 Type: STM.MH
 Size: 96"

Rim: 615.31'
 Invert: 606.75'
 Rim to Invert: 8.56'

Sump: 132"
 Floor (Top): 595.75'
 Floor Height: 8"

Floor (Bot): 595.083'
 Overall Height: 20.167'
 Slack: 0.72"

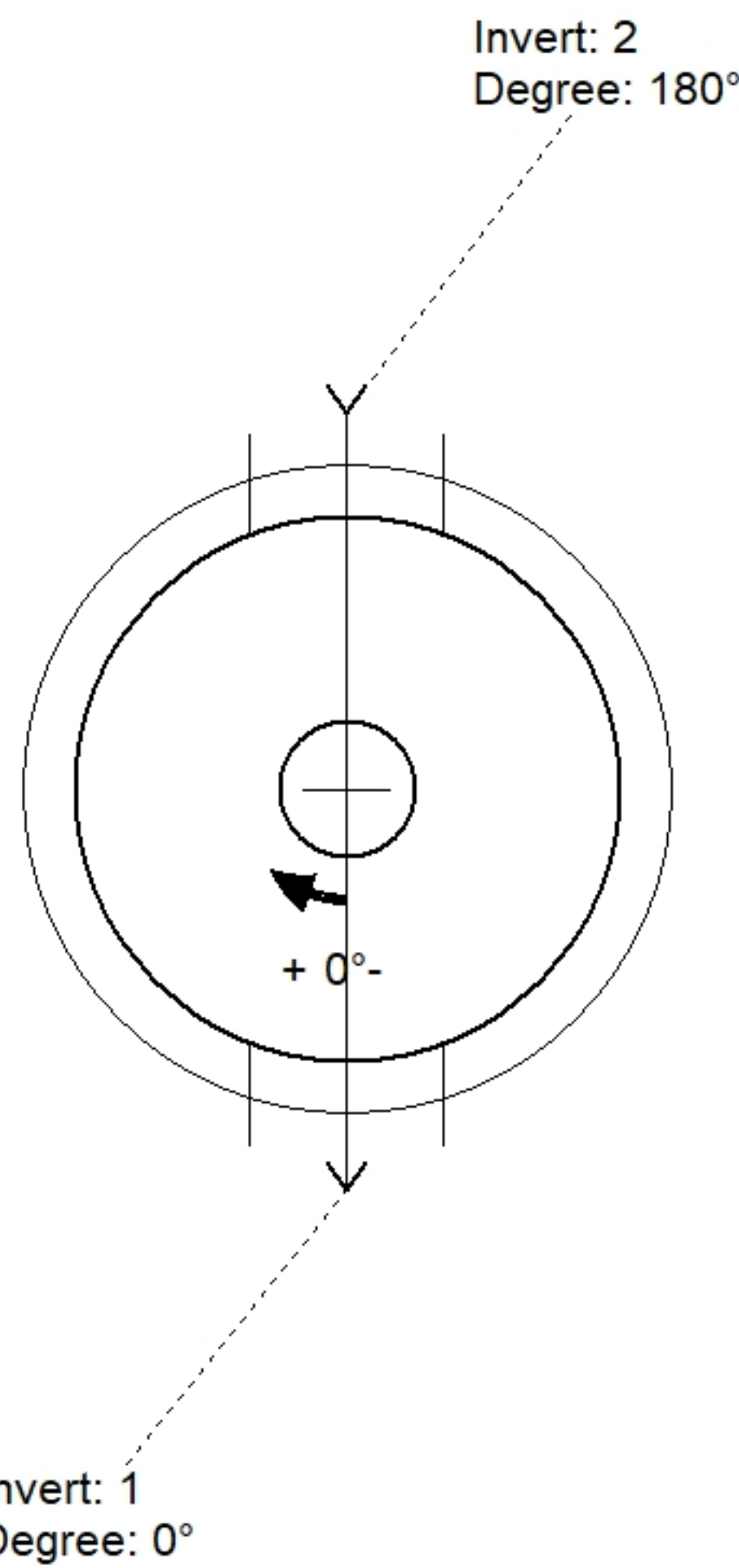
Structure Notes:

- PER ASTM C478 SPECIFICATIONS.
- CONCRETE = 4,000 PSI AT 28 DAYS.
- CASTING BY ICAST (HOE MC-375 F/C "STORM").
- LIFTING ANCHORS TO BE INSTALLED ON THE OUTSIDE OF THE STRUCTURE.

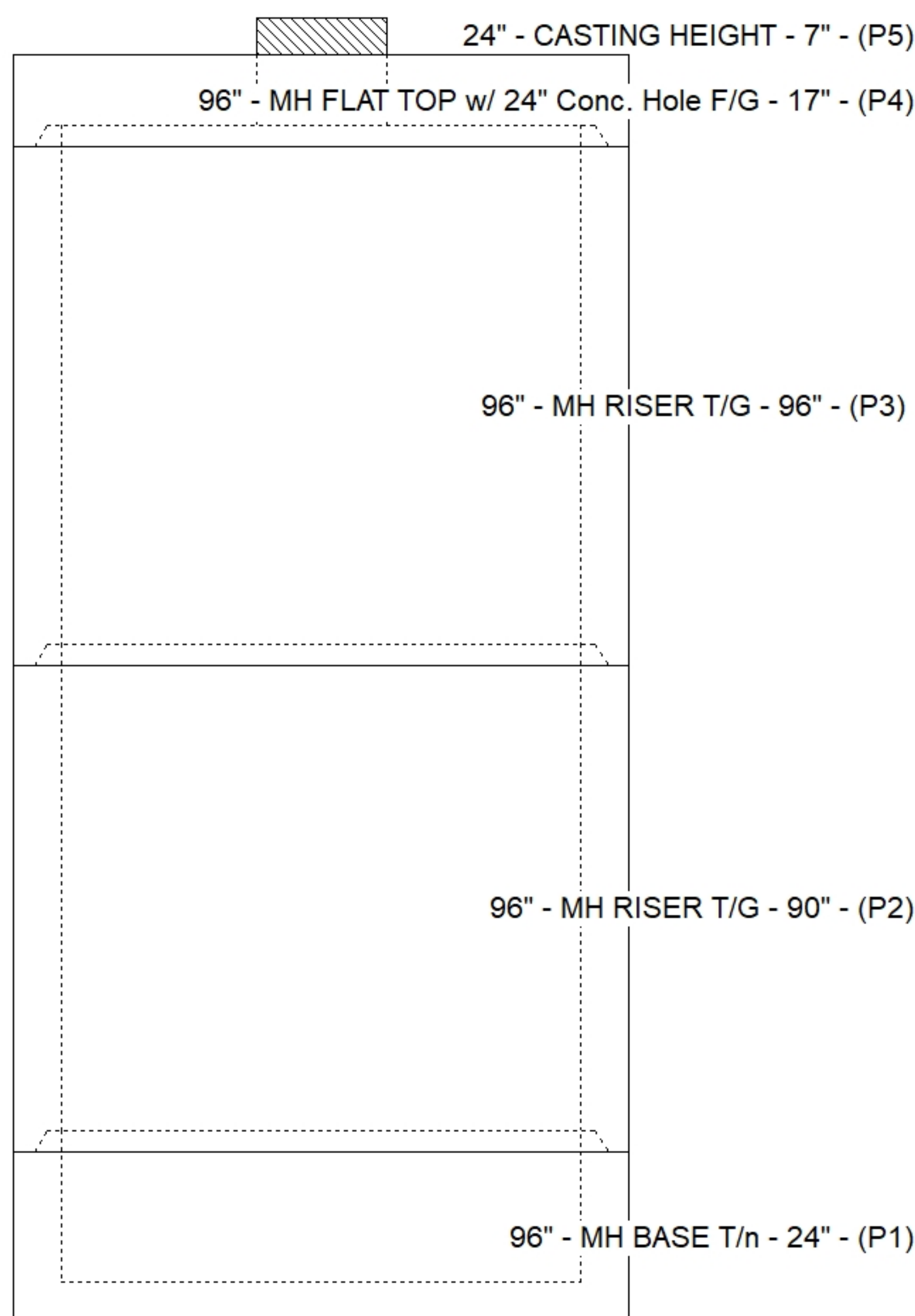
REINFORCING PER ASTM A615 (GRADE 60).
 - TOP SLAB (As .62) #5 BARS AT 6" C.C.E.W.
 - RISER/WALLS (As .24)
 - FLOOR (As .47) #5 BARS AT 8" C.C.E.W.

STRUCTURE SUMMARY:

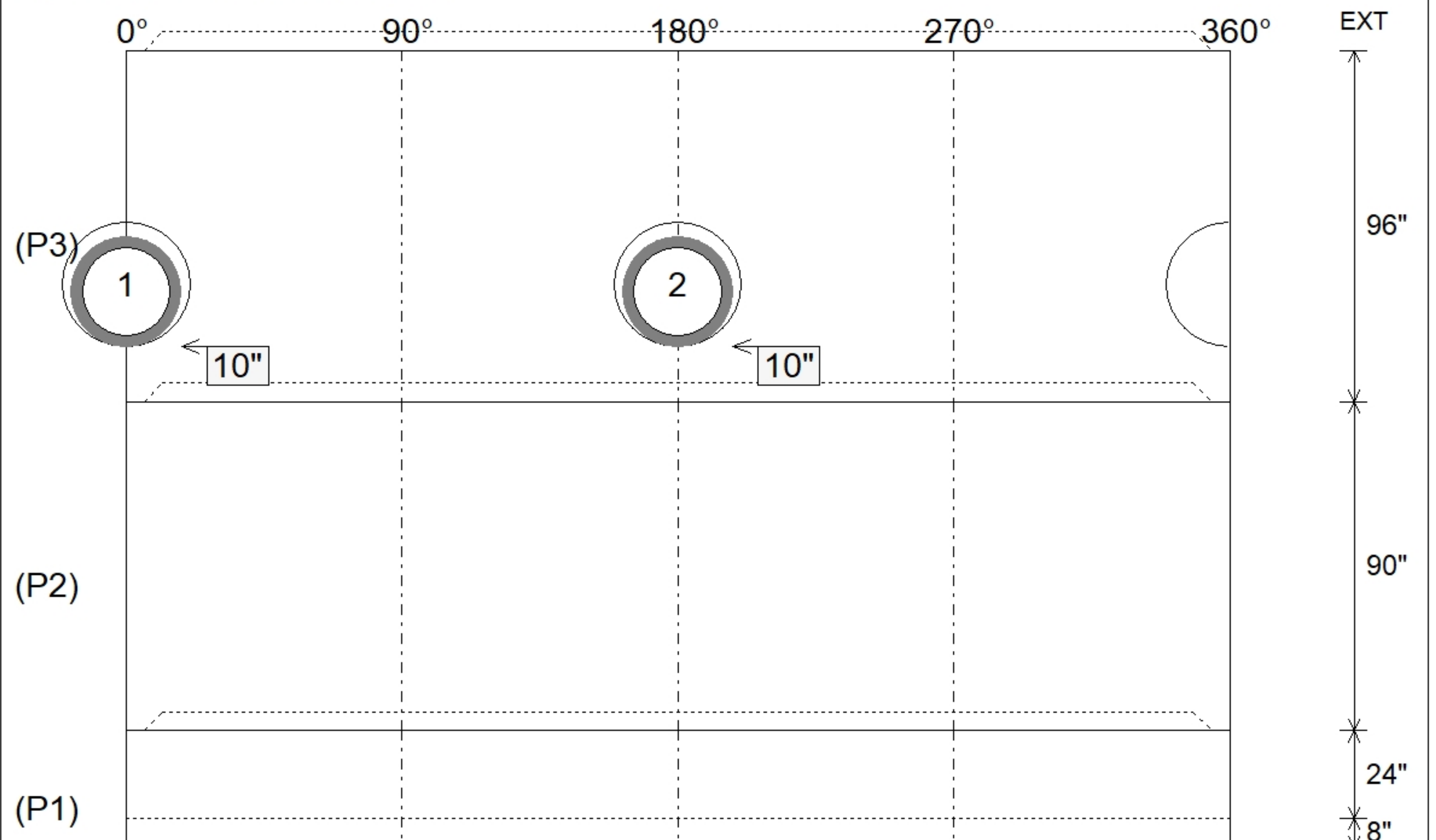
P5) 24" - CASTING HEIGHT - 7"	0 lb
P4) 96" - MH FLAT TOP w/ 24" Conc. Hole F/G - 17"	10473 lb
P3) 96" - MH RISER T/G - 96"	22518 lb
P2) 96" - MH RISER T/G - 90"	22421 lb
P1) 96" - MH BASE T/n - 24"	12831 lb
1) ASSEMBLY REQUIRED - BRACKETS	0 lb
1) CASTING - HOE MC-375 F/C Storm	271 lb
3) 96" - Conseal CS-102 1.00" (Double)	0 lb
2) Hole - 34	0 lb
Structure Total:	68513 lb



Position	Elev	Angle	Pipe	Pipe OD	Hole	Connector	Up (L)	Ref
Rim	615.31'							
Reducer								
Invert 1	606.75'	0°	24" RCP B WALL	30"	34"	Hole 34	10"	P3
Invert 2	606.75'	180°	24" RCP B WALL	30"	34"	Hole 34	10"	P3
Invert 3								
Invert 4								
Invert 5								
Invert 6								
Invert 7								
Invert 8								



Default - Interior Dimensions



Submittal Drawing
 2/24/2026 8:34:24 AM

SUBMITTAL
 APPROVED BY: