

**Structure ID: WQU1-2**

**P3 MH096RS96**

**MH RISER T/G**

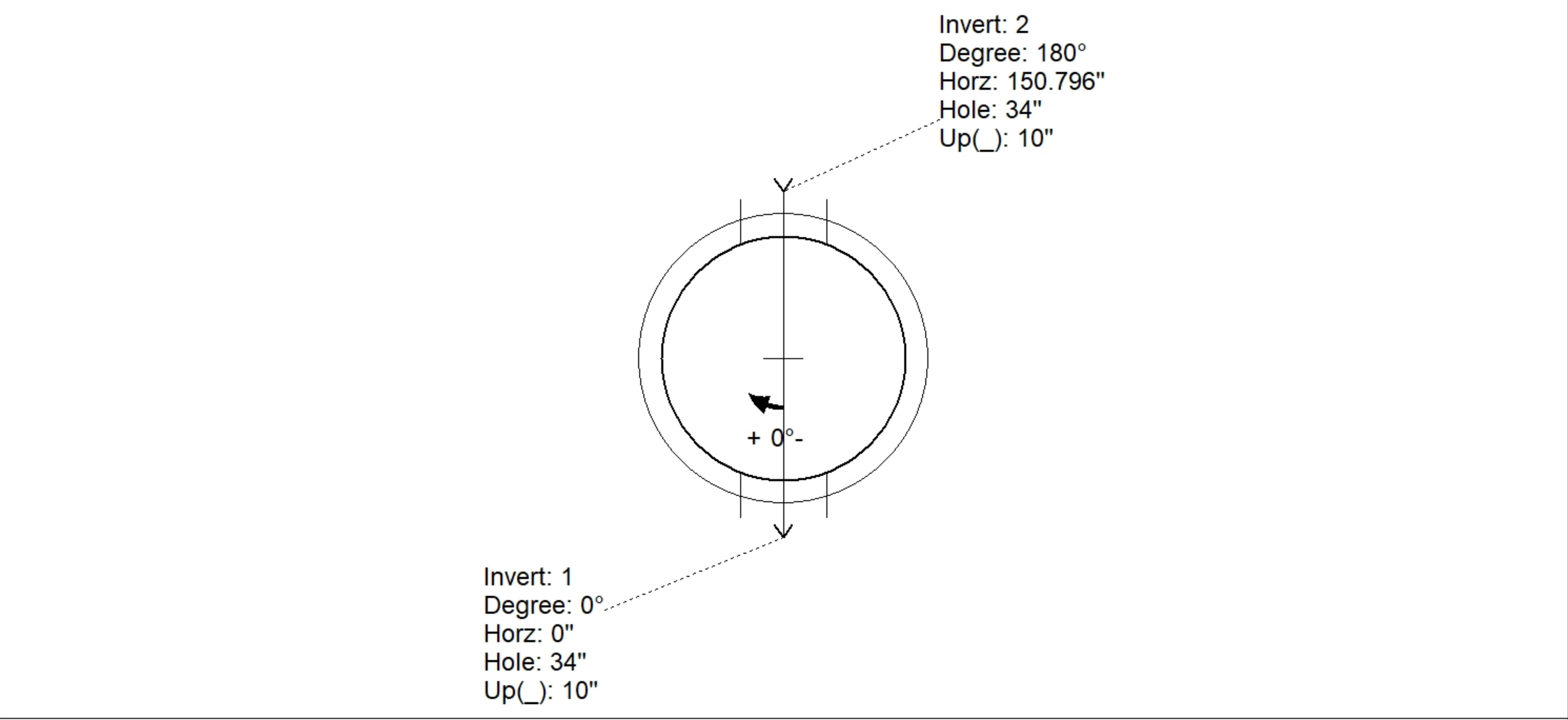
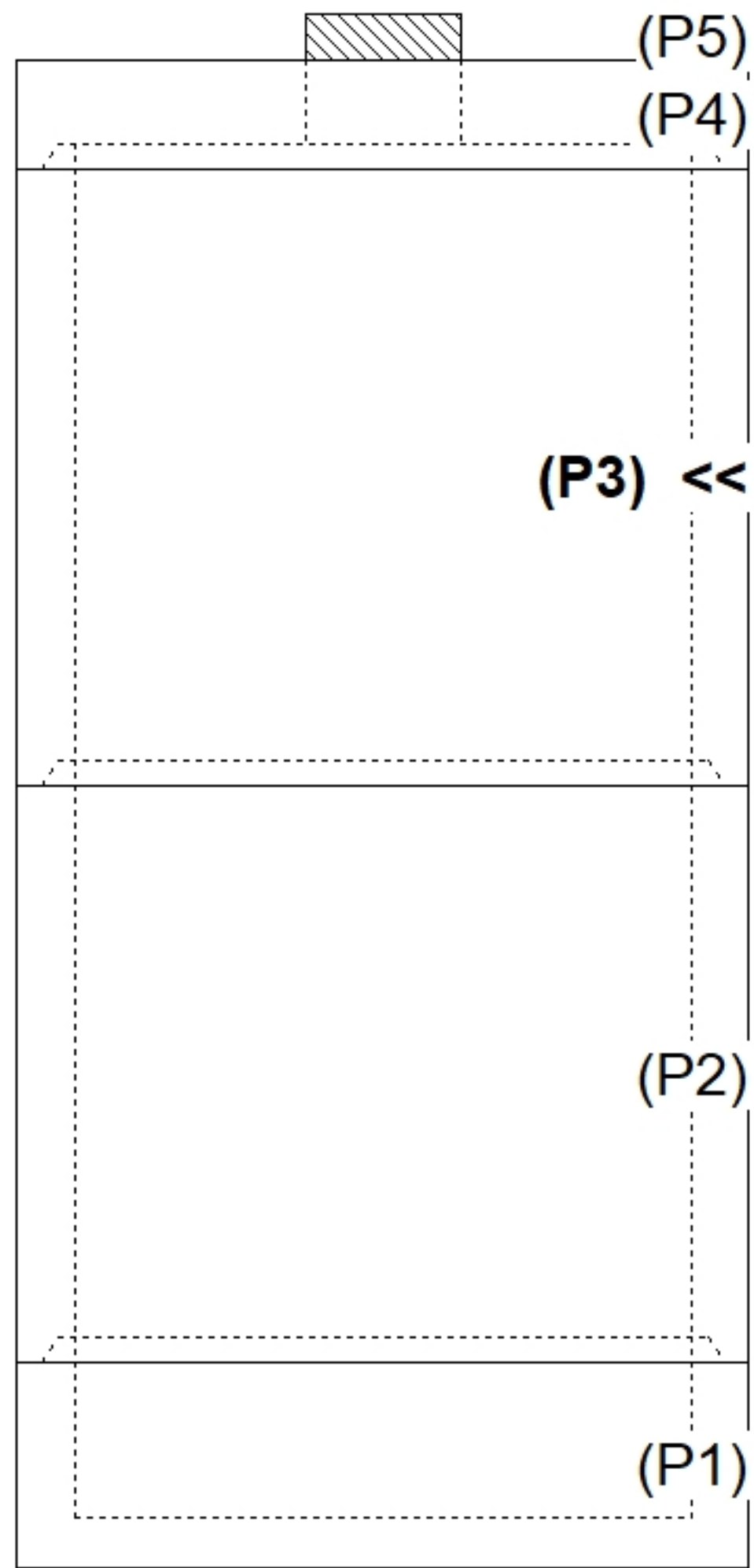
|   |   |  |
|---|---|--|
| P5) 24" - CASTING HEIGHT - 7"<br>P4) 96" - MH FLAT TOP w/ 24" Conc. Hole F/G - 17"<br>P3) 96" - MH RISER T/G - 96"<br>P2) 96" - MH RISER T/G - 90"<br>P1) 96" - MH BASE T/n - 24"<br>1) ASSEMBLY REQUIRED - BRACKETS<br>1) CASTING - HOE MC-375 F/C Storm<br>3) 96" - Conseal CS-102 1.00" (Double)<br>2) Hole - 34 | 0 lb<br>10473 lb<br>22518 lb<br>22421 lb<br>12831 lb<br>0 lb<br>271 lb<br>0 lb<br>0 lb<br>-----<br>68513 lb | <b>Structure Notes:</b><br>1. PER ASTM C478 SPECIFICATIONS.<br>2. CONCRETE = 4,000 PSI AT 28 DAYS.<br>3. CASTING BY ICAST (HOE MC-375 F/C "STORM").<br>4. LIFTING ANCHORS TO BE INSTALLED ON THE OUTSIDE OF THE STRUCTURE.<br><br>REINFORCING PER ASTM A615 (GRADE 60).<br>- TOP SLAB (As .62) #5 BARS AT 6" C.C.E.W.<br>- RISER/WALLS (As .24)<br>- FLOOR (As .47) #5 BARS AT 8" C.C.E.W. |
|---|---|--|

Structure Total: 68513 lb

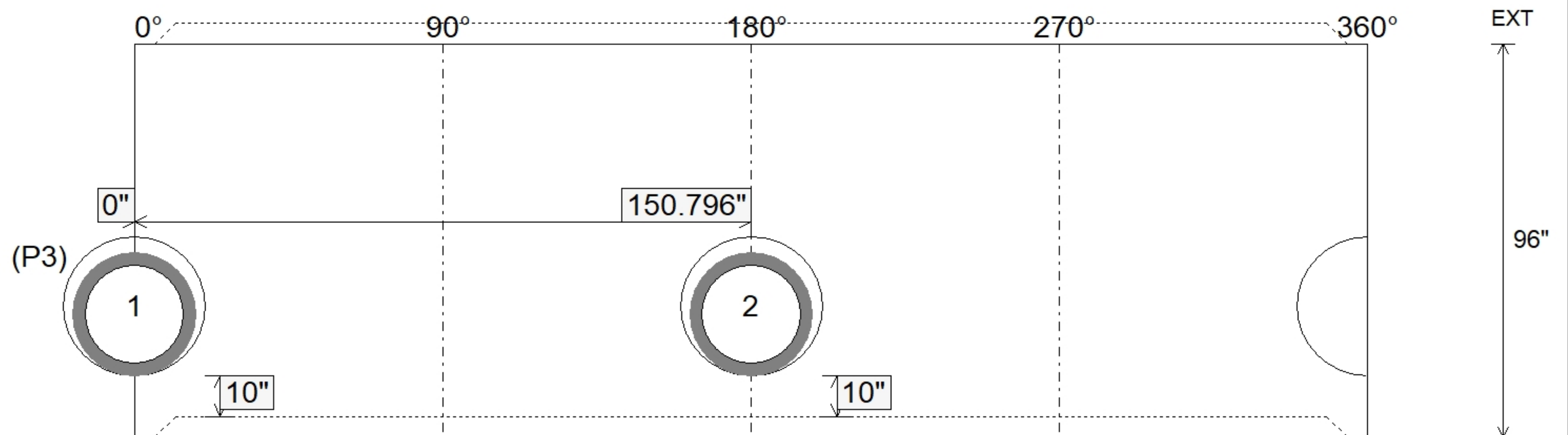
Rim: 615.31'    Rim to Invert: 8.56'    Slack: 0.72"    Sump: 132"    Step Position:

| Position | Elev    | Angle | Ext. (cw) | Pipe           | Pipe OD | Connector | Hole | Horz Size | Up ( ) | Offset |
|----------|---------|-------|-----------|----------------|---------|-----------|------|-----------|--------|--------|
| Invert 1 | 606.75' | 0°    | 0"        | 24" RCP B WALL | 30"     | Hole 34   | 34"  | 34.754"   | 10"    | 0"     |
| Invert 2 | 606.75' | 180°  | 179.071"  | 24" RCP B WALL | 30"     | Hole 34   | 34"  | 34.754"   | 10"    | 0"     |
| Invert 3 |         |       |           |                |         |           |      |           |        |        |
| Invert 4 |         |       |           |                |         |           |      |           |        |        |
| Invert 5 |         |       |           |                |         |           |      |           |        |        |
| Invert 6 |         |       |           |                |         |           |      |           |        |        |
| Invert 7 |         |       |           |                |         |           |      |           |        |        |
| Invert 8 |         |       |           |                |         |           |      |           |        |        |

**RIGHT-SIDE UP VIEW (int. dimensions)**



**INSIDE WALL DIMENSIONS**



|                |                                    |  |   |
|----------------|------------------------------------|--|---|
| Coating (Int): | Seam Up: Tongue<br>Seam Dn: Groove | Wall Thickness: 9"<br>Floor Height: 0" | Height (Int): 96"<br>Height (Ext): 96"            |
| Coating (Ext): |                                    |  | Weight (Net): 22518 lb<br>Volume (Net): 5.75cu.yd |