

Job Name: 26-1323 877531 New Operations Center
 Job Location: Paducah, KY
 Contractor: Contech Engineering Solutions

Plant: Beaver Dam
 2/12/2026 12:33:07 PM

Tech: S. Felletter
 PC: T. Sekula



Structure ID: 10-CS-4

P3 MH048LD12-30

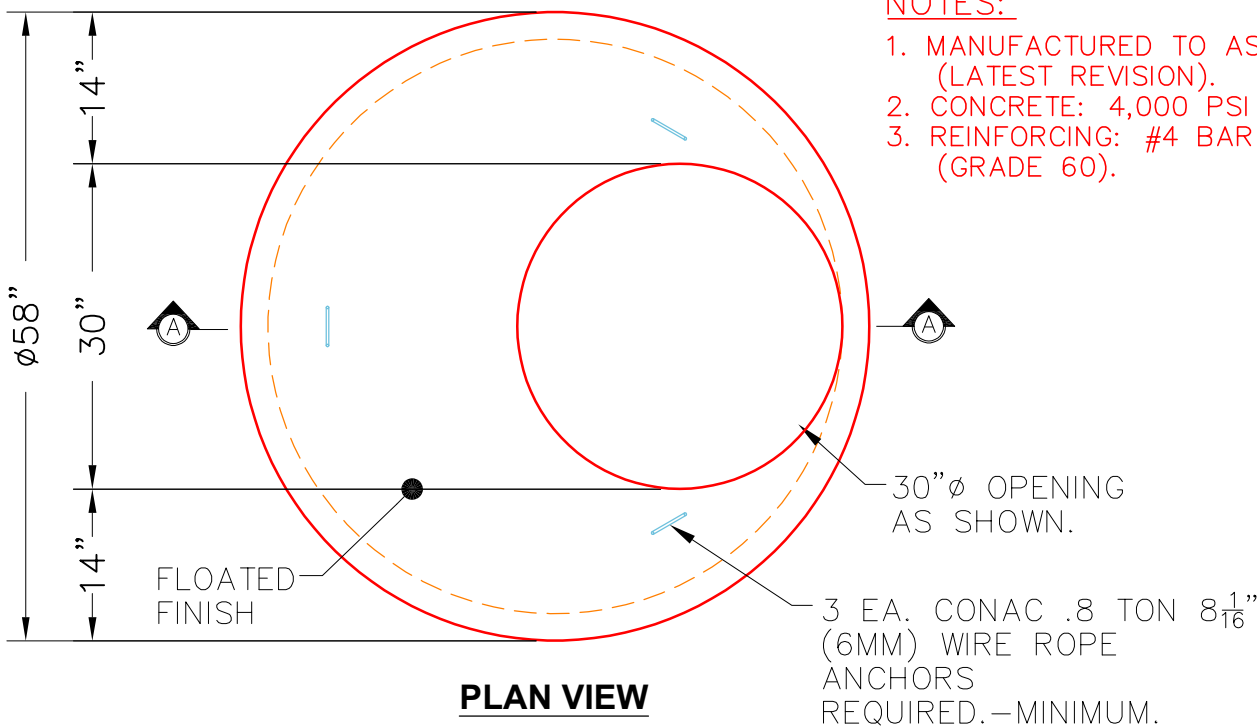
MH FLAT LID w/30in ECC Hole F/G

- P4) 30" - CASTING HEIGHT - 4"
- P3) 48" - MH FLAT LID w/30in ECC Hole F/G - 12"
- P2) 48" - MH RISER Custom Ht T/G - 57"
- P1) 48" - MH BASE T/n - 18"
- 1) CVSTENCILING
- 1) ASSEMBLY REQUIRED
- 2) 48" - Conseal CS-102 1.00"
- 2) Hole - 16

0 lb
 1413 lb
 3810 lb
 2588 lb
 0 lb
 0 lb
 0 lb
 0 lb

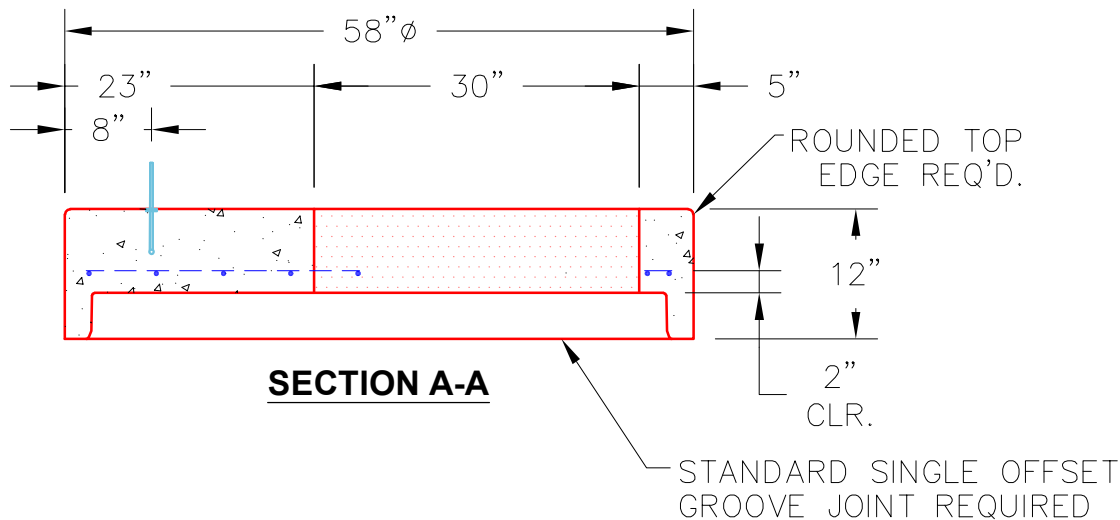
 Structure Total: 7811 lb

Structure Notes:
 4" CASTING BY OTHERS
 LIFTING ANCHORS TO BE INSTALLED ON THE OUTSIDE OF THE STRUCTURE
 ICAST TO INSTALL THE INTERNALS
 CONTECH'S LOGO AS WELL AS THE INLET AND OUTLET MUST BE STENCILED ONTO THE STRUCTURE



NOTES:

1. MANUFACTURED TO ASTM C-478 (LATEST REVISION).
2. CONCRETE: 4,000 PSI AT 28 DAYS.
3. REINFORCING: #4 BAR @ 10" O.C. E.W. (GRADE 60).



Coating (Int):
 Coating (Ext):

Seam Up: Flat
 Seam Dn: Groove

Wall Thickness: 5"

Height (Ext): 12"

Weight (Net): 1413 lb
 Volume (Net): 0.36cu.yd