

**Structure ID: 10-CS-4**

**P2 MH048RSVF**

**MH RISER Custom Ht T/G**

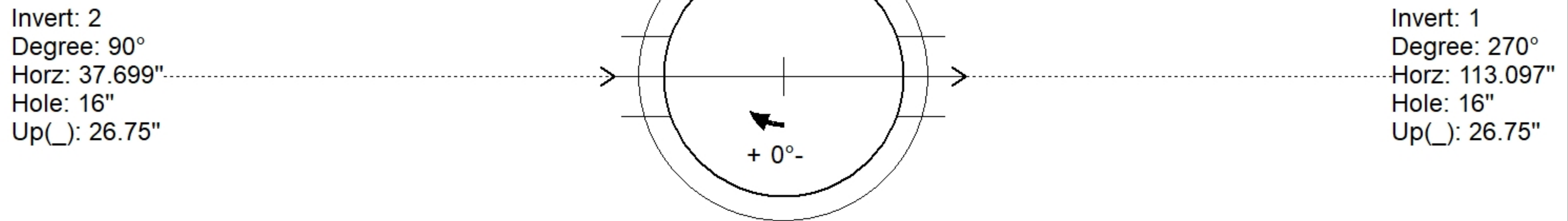
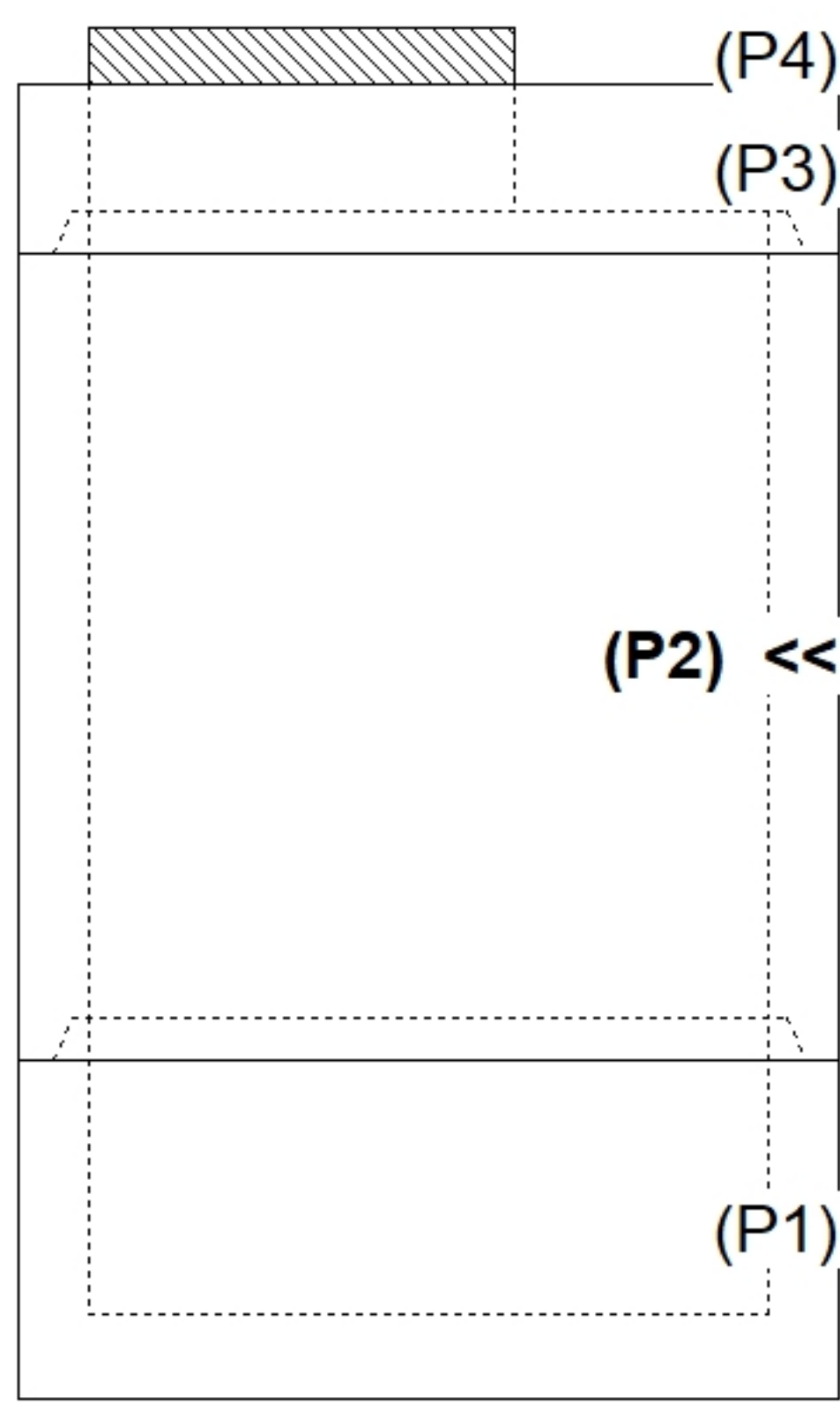
P4) 30" - CASTING HEIGHT - 4" P3) 48" - MH FLAT LID w/30in ECC Hole F/G - 12" P2) 48" - MH RISER Custom Ht T/G - 57" P1) 48" - MH BASE T/n - 18" 1) CVSTENCILING 1) ASSEMBLY REQUIRED 2) 48" - Conseal CS-102 1.00" 2) Hole - 16	0 lb 1413 lb 3810 lb 2588 lb 0 lb 0 lb 0 lb 0 lb 0 lb _____ 7811 lb	<b>Structure Notes:</b> 4" CASTING BY OTHERS  LIFTING ANCHORS TO BE INSTALLED ON THE OUTSIDE OF THE STRUCTURE  ICAST TO INSTALL THE INTERNALS  CONTECH'S LOGO AS WELL AS THE INLET AND OUTLET MUST BE STENCILED ONTO THE STRUCTURE
---	---	---

Structure Total: 7811 lb

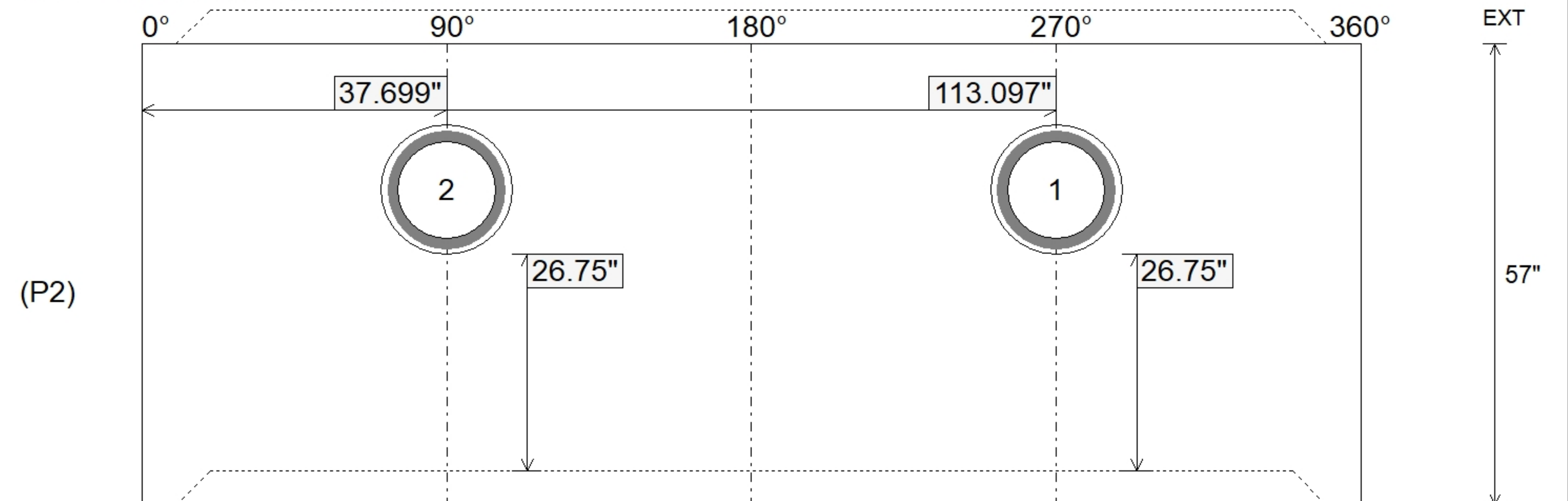
Rim: 333.06'    Rim to Invert: 3.41'    Slack: 0.92"    Sump: 51"    Step Position:

Position	Elev	Angle	Ext. (cw)	Pipe	Pipe OD	Connector	Hole	Horz Size	Up ( )	Offset
Invert 1	329.65'	270°	136.659"	12" HDPE	14.5"	Hole 16	16"	16.312"	26.75"	0"
Invert 2	329.65'	90°	45.553"	12" HDPE	14.5"	Hole 16	16"	16.312"	26.75"	0"
Invert 3										
Invert 4										
Invert 5										
Invert 6										
Invert 7										
Invert 8										

**RIGHT-SIDE UP VIEW (int. dimensions)**



**INSIDE WALL DIMENSIONS**



Coating (Int): Coating (Ext):	Seam Up: Tongue Seam Dn: Groove	Wall Thickness: 5" Floor Height: 0"	Height (Int): 57" Height (Ext): 57"	Weight (Net): 3810 lb Volume (Net): 0.97cu.yd
----------------------------------	------------------------------------	--	--	--