

Job Name: 26-1323 877531 New Operations Center
 Job Location: Paducah, KY
 Contractor: Contech Engineering Solutions

Plant: Beaver Dam
 2/13/2026 8:56:27 AM

Tech: S. Felletter
 PC: T. Sekula



Structure ID: 10-CS-4

P1 MH048BA18

MH BASE T/n

P4) 30" - CASTING HEIGHT - 4"	0 lb
P3) 48" - MH FLAT LID w/30in ECC Hole F/G - 12"	1413 lb
P2) 48" - MH RISER Custom Ht T/G - 57"	3810 lb
P1) 48" - MH BASE T/n - 18"	2588 lb
1) CVSTENCILING	0 lb
1) ASSEMBLY REQUIRED	0 lb
2) 48" - Conseal CS-102 1.00"	0 lb
2) Hole - 16	0 lb
Structure Total:	7811 lb

Structure Notes:
 4" CASTING BY OTHERS

 LIFTING ANCHORS TO BE INSTALLED ON THE OUTSIDE OF THE STRUCTURE

 ICAST TO INSTALL THE INTERNALS

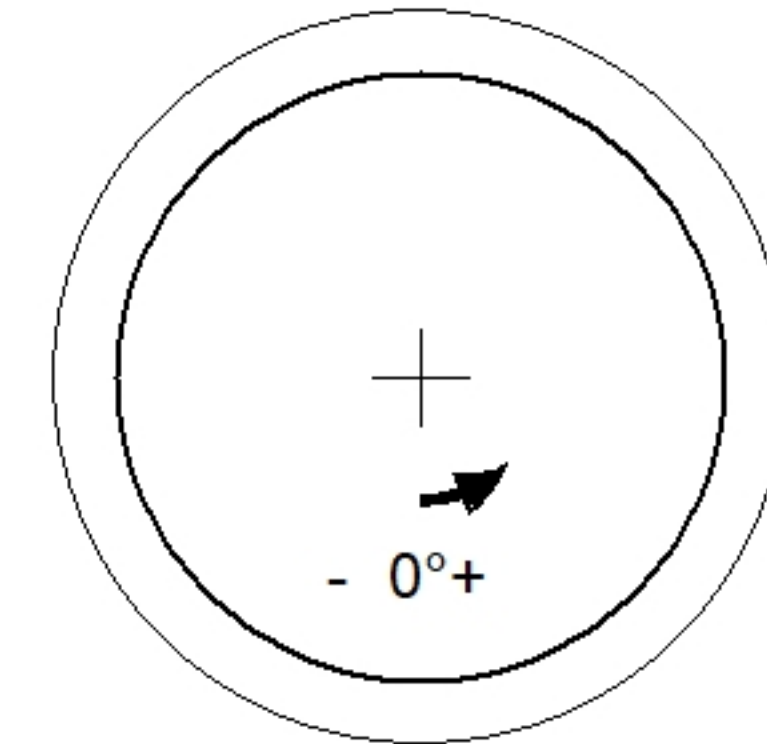
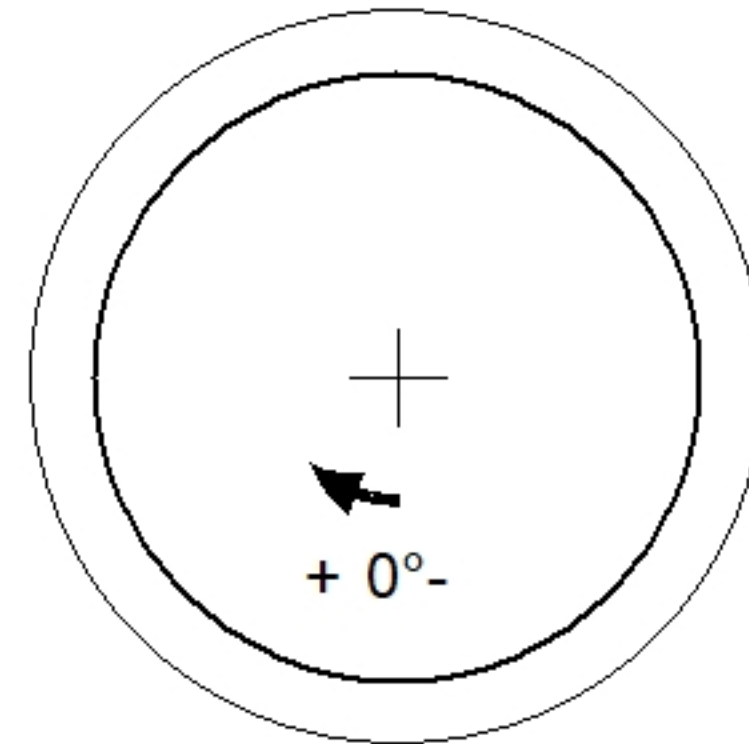
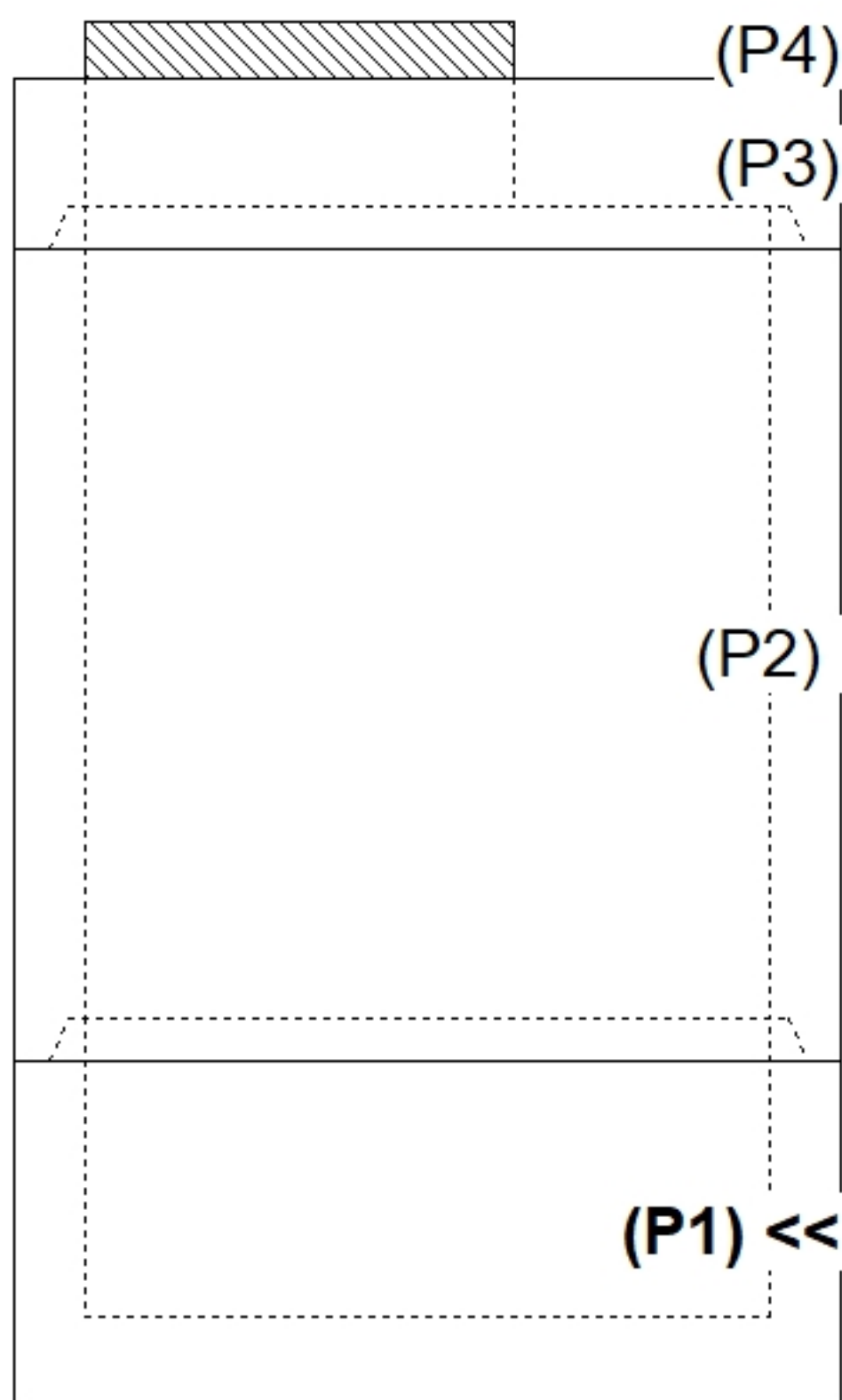
 CONTECH'S LOGO AS WELL AS THE INLET AND OUTLET MUST BE STENCILED ONTO THE STRUCTURE

Rim: 333.06' Rim to Invert: 3.41' Slack: 0.92" Sump: 51" Step Position:

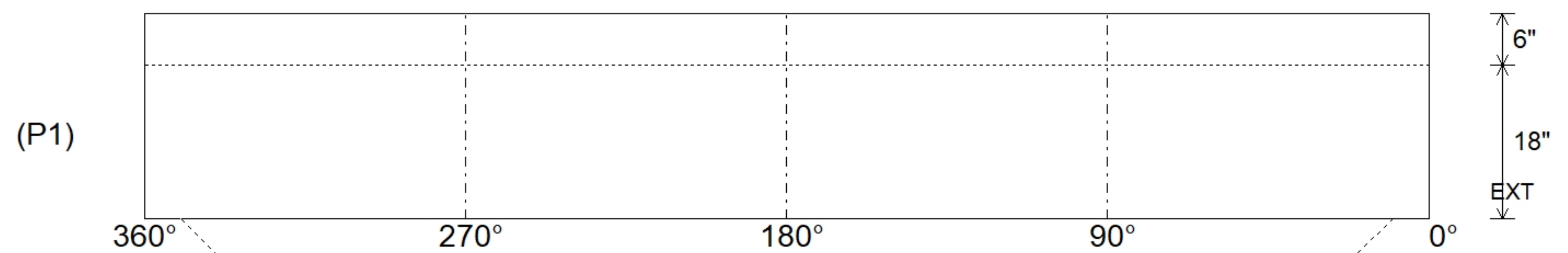
Position	Elev	Angle	Ext. (cw)	Pipe	Pipe OD	Connector	Hole	Horz Size	Up (L)	Offset
Invert 1										
Invert 2										
Invert 3										
Invert 4										
Invert 5										
Invert 6										
Invert 7										
Invert 8										

RIGHT-SIDE UP VIEW (int. dimensions)

UPSIDE-DOWN VIEW (int. dimensions)



INSIDE WALL DIMENSIONS



Coating (Int):
 Coating (Ext):

Seam Up: Tongue
 Seam Dn: n/a

Wall Thickness: 5"
 Floor Height: 6"

Height (Int): 18"
 Height (Ext): 24"

Weight (Net): 2588 lb
 Volume (Net): 0.66cu.yd