

Job Name: 26-1322B - KYTC Warren Co Call 104 (261503)
Job Location: Bowling Green, KY
Contractor: Cumberland Pipeline LLC

PC: Celina Goff
 TECH: Jared - A
 Plant: 100



Structure ID: **260-81 SS-MH**

Spec: Sanitary
 Type: SAN.MH
 Size: 48"

Rim: 491.13'
 Invert: 485.67'
 Rim to Invert: 5.46'

Sump: 2"
 Floor (Top): 485.503'
 Floor Height: 8"

Floor (Bot): 484.837'
 Overall Height: 6.083'
 Slack: 2.52"

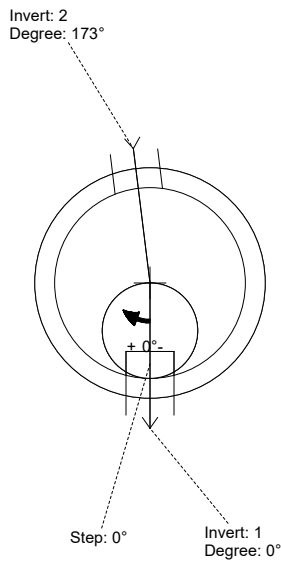
Structure Notes:

1. PER KYTC & ASTM C-478 SPECIFICATIONS
2. CONCRETE: 4,000 PSI AT 28 DAYS
3. REINFORCEMENT: PER ASTM A615
4. INVERT CHANNEL REQUIRED
5. STEPS AT 0 DEGREES
6. HOE MC-375 FRAME & COVER "BGMU SANITARY" SUPPLIED BY ICAST

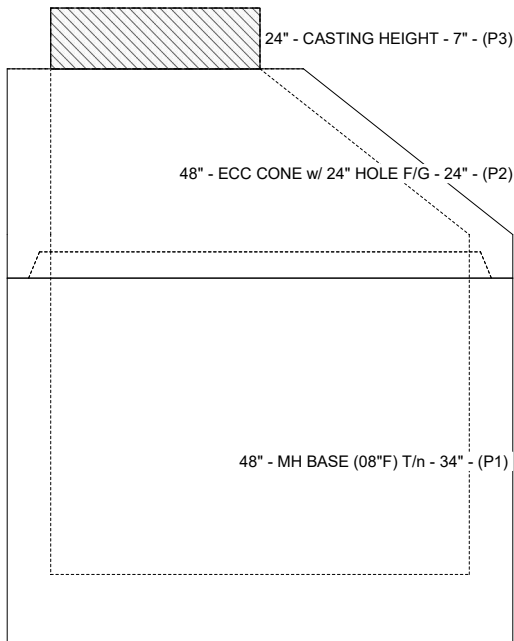
STRUCTURE SUMMARY:

- P3) 24" - CASTING HEIGHT - 7"
 - P2) 48" - ECC CONE w/ 24" HOLE F/G - 24"
 - P1) 48" - MH BASE (08°F) T/n - 34"
 - 1) 48" - MH INVERT CHANNEL - FULL HEIGHT
 - 1) JOINT WRAP - 0.065"x6"x50' CONSEAL CS212
 - 1) JOINT WRAP PRIMER - CONSEAL CS-75 (1 gal.)
 - 1) CASTING - HOE MC-375 F/C BGMU Sanitary
 - 1) 48" - Conseal CS-102 1.00" (Double)
 - 2) PSX - 12-08 NYLO
 - 4) MH Step ML-10-TDS-NCR - 10"
- 0 lb
 1550 lb
 4053 lb
 1440 lb
 0 lb
 0 lb
 271 lb
 0 lb
 16 lb
 0 lb

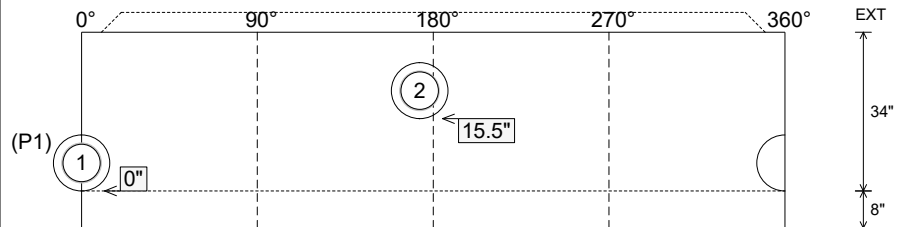
Structure Total: 7330 lb



Position	Elev	Angle	Pipe	Pipe OD	Hole	Connector	Up (L)	Ref
Rim	491.13'							
Reducer								
Invert 1	485.67'	0°	8" PVC SDR35	8.5"	12"	PSX 12-08 NYLO	0"	P1
Invert 2	486.96'	173°	8" PVC SDR35	8.5"	12"	PSX 12-08 NYLO	15.5"	P1
Invert 3								
Invert 4								
Invert 5								
Invert 6								
Invert 7								
Invert 8								



Cast (Int. Dim.) - Interior Dimensions



Submittal Drawing
 4/21/2026 12:52:43 PM

SUBMITTAL
 APPROVED BY: