

Job Name: 26-1322B - KYTC Warren Co Call 104 (261503)
Job Location: Bowling Green, KY
Contractor: Cumberland Pipeline LLC

PC: Celina Goff
 TECH: Jared - A
 Plant: 100



Structure ID: **246-87 SS-MH**

Spec: Sanitary
 Type: SAN.MH
 Size: 48"

Rim: 479.98'
 Invert: 470.15'
 Rim to Invert: 9.83'

Sump: 2"
 Floor (Top): 469.983'
 Floor Height: 8"

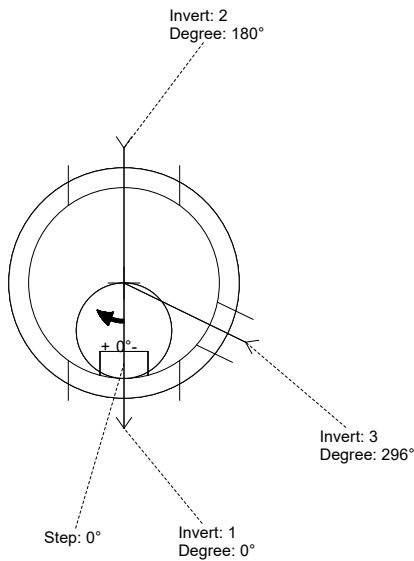
Floor (Bot): 469.317'
 Overall Height: 10.417'
 Slack: 2.96"

Structure Notes:

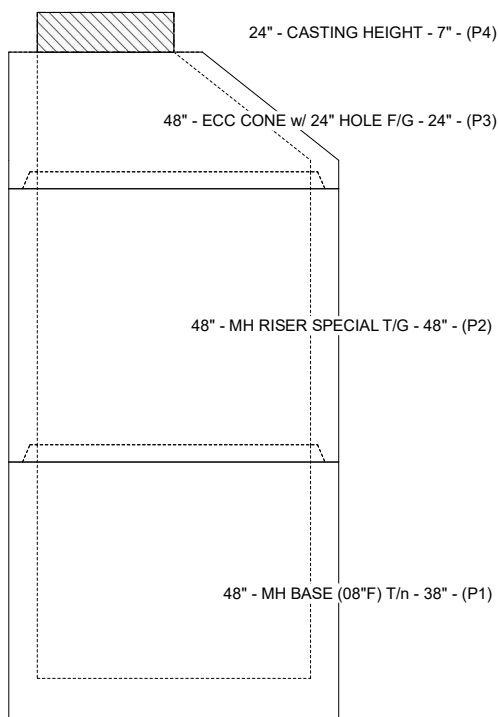
- PER KYTC & ASTM C-478 SPECIFICATIONS
- CONCRETE: 4,000 PSI AT 28 DAYS
- REINFORCEMENT: PER ASTM A615
- INVERT CHANNEL REQUIRED
- STEPS AT 0 DEGREES
- HOE MC-375 FRAME & COVER "BGMU SANITARY" SUPPLIED BY ICAST

STRUCTURE SUMMARY:

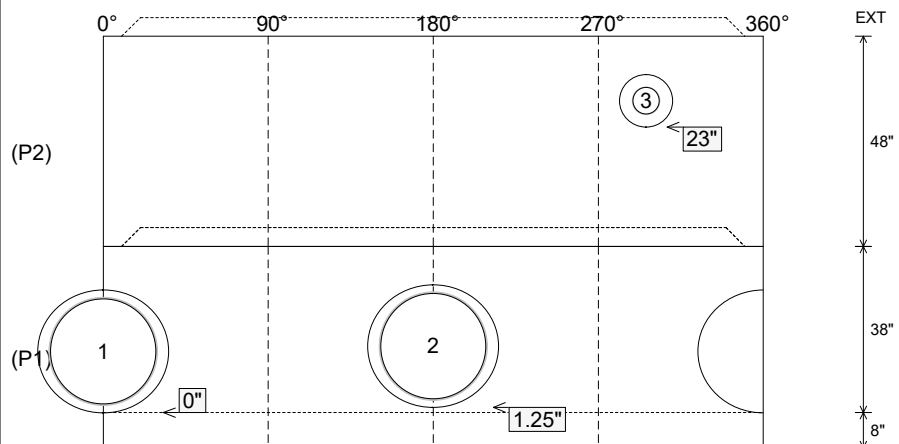
- P4) 24" - CASTING HEIGHT - 7" 0 lb
 - P3) 48" - ECC CONE w/ 24" HOLE F/G - 24" 1550 lb
 - P2) 48" - MH RISER SPECIAL T/G - 48" 3305 lb
 - P1) 48" - MH BASE (08"F) T/n - 38" 3883 lb
 - 1) 48" - MH INVERT CHANNEL - FULL HEIGHT 1440 lb
 - 1) JOINT WRAP - 0.065"x6"x50' CONSEAL CS212 0 lb
 - 1) JOINT WRAP PRIMER - CONSEAL CS-75 (1 gal.) 0 lb
 - 1) CASTING - HOE MC-375 F/C BGMU Sanitary 271 lb
 - 2) 48" - Conseal CS-102 1.00" (Double) 0 lb
 - 2) Kor-N-Seal2 - S206-28 13 lb
 - 1) PSX - 12-06 NYLO 8 lb
 - 7) MH Step ML-10-TDS-NCR - 10" 0 lb
- Structure Total: 10470 lb**



Position	Elev	Angle	Pipe	Pipe OD	Hole	Connector	Up (")	Ref
Rim	479.98'							
Reducer								
Invert 1	470.15'	0°	24" PVC SDR35	24.75"	28"	Kor-N-Seal2 S206-28	0"	P1
Invert 2	470.25'	180°	24" PVC SDR35	24.75"	28"	Kor-N-Seal2 S206-28	1.25"	P1
Invert 3	475.67'	296°	6" PVC SDR35	6.25"	12"	PSX 12-06 NYLO	23"	P2
Invert 4								
Invert 5								
Invert 6								
Invert 7								
Invert 8								



Cast (Int. Dim.) - Interior Dimensions



Submittal Drawing
 4/21/2026 12:52:45 PM

SUBMITTAL
 APPROVED BY: