

**Job Name: 26-1322B - KYTC Warren Co Call 104 (261503)**  
**Job Location: Bowling Green, KY**  
**Contractor: Cumberland Pipeline LLC**

PC: Celina Goff  
 TECH: Jared - A  
 Plant: 100



Structure ID: **244-89 SS-MH**

Spec: Sanitary  
 Type: SAN.MH  
 Size: 48"

Rim: 479.18'  
 Invert: 470.75'  
 Rim to Invert: 8.43'

Sump: 3"  
 Floor (Top): 470.5'  
 Floor Height: 8"

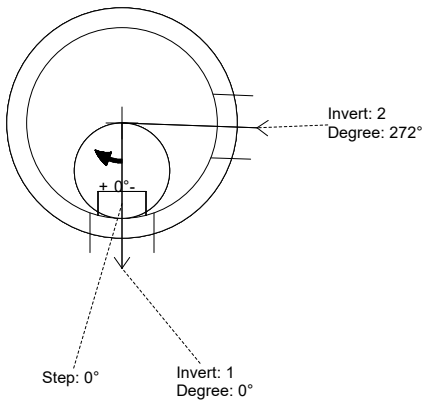
Floor (Bot): 469.833'  
 Overall Height: 9.25'  
 Slack: 1.16"

**Structure Notes:**

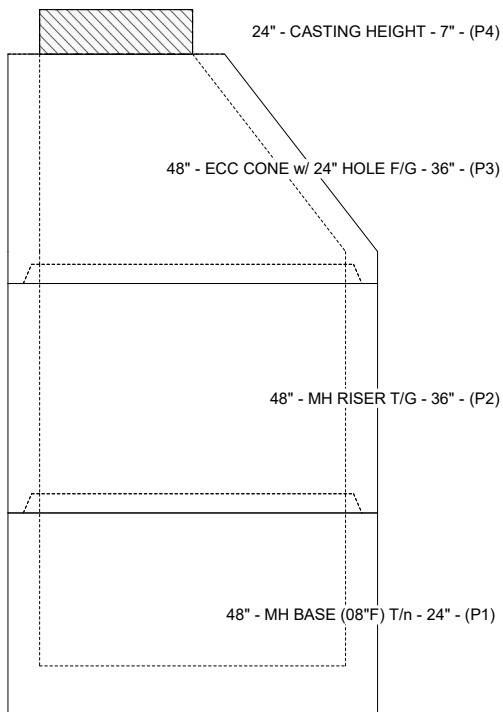
1. PER KYTC & ASTM C-478 SPECIFICATIONS
2. CONCRETE: 4,000 PSI AT 28 DAYS
3. REINFORCEMENT: PER ASTM A615
4. INVERT CHANNEL REQUIRED
5. STEPS AT 0 DEGREES
6. HOE MC-375 FRAME & COVER "BGMU SANITARY" SUPPLIED BY ICAST

**STRUCTURE SUMMARY:**

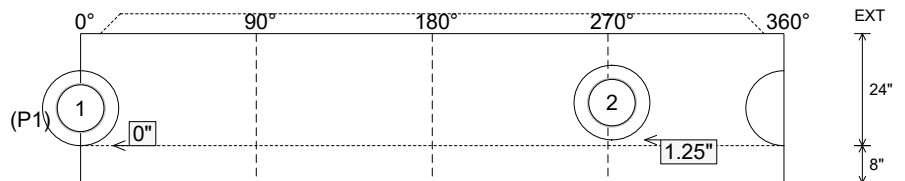
- P4) 24" - CASTING HEIGHT - 7" 0 lb
  - P3) 48" - ECC CONE w/ 24" HOLE F/G - 36" 3000 lb
  - P2) 48" - MH RISER T/G - 36" 2515 lb
  - P1) 48" - MH BASE (08°F) T/n - 24" 3279 lb
  - 1) 48" - MH INVERT CHANNEL - FULL HEIGHT 1440 lb
  - 1) JOINT WRAP - 0.065"x6"x50' CONSEAL CS212 0 lb
  - 1) JOINT WRAP PRIMER - CONSEAL CS-75 (1 gal.) 0 lb
  - 1) CASTING - HOE MC-375 F/C BGMU Sanitary 271 lb
  - 2) 48" - Conseal CS-102 1.00" (Double) 0 lb
  - 2) PSX - 16Y NYLO 16 lb
  - 7) MH Step ML-10-TDS-NCR - 10" 0 lb
- Structure Total: 10521 lb**



Position	Elev	Angle	Pipe	Pipe OD	Hole	Connector	Up (L)	Ref
Rim	479.18'							
Reducer								
Invert 1	470.75'	0°	10" PVC SDR35	10.5"	16"	PSX 16Y NYLO	0"	P1
Invert 2	470.85'	272°	10" PVC SDR35	10.5"	16"	PSX 16Y NYLO	1.25"	P1
Invert 3								
Invert 4								
Invert 5								
Invert 6								
Invert 7								
Invert 8								



**Cast (Int. Dim.) - Interior Dimensions**



Submittal Drawing  
 4/21/2026 12:52:46 PM

SUBMITTAL  
 APPROVED BY: