

Job Name: 26-1322B - KYTC Warren Co Call 104 (261503)
 Job Location: Bowling Green, KY
 Contractor: Cumberland Pipeline LLC

Plant: 100

4/21/2026 2:25:15 PM

Tech: Jared - A

PC: Celina Goff



Structure ID: 244-89 SS-MH

P1 MH048BA24

MH BASE (08"F) T/n

- P4) 24" - CASTING HEIGHT - 7"
- P3) 48" - ECC CONE w/ 24" HOLE F/G - 36"
- P2) 48" - MH RISER T/G - 36"
- P1) 48" - MH BASE (08"F) T/n - 24"
- 1) 48" - MH INVERT CHANNEL - FULL HEIGHT
- 1) JOINT WRAP - 0.065"x6"x50' CONSEAL CS212
- 1) JOINT WRAP PRIMER - CONSEAL CS-75 (1 gal.)
- 1) CASTING - HOE MC-375 F/C BGMU Sanitary
- 2) 48" - Conseal CS-102 1.00" (Double)
- 2) PSX - 16Y NYLO
- 7) MH Step ML-10-TDS-NCR - 10"

0 lb
 3000 lb
 2515 lb
 3279 lb
 1440 lb
 0 lb
 0 lb
 271 lb
 0 lb
 16 lb
 0 lb

 Structure Total: 10521 lb

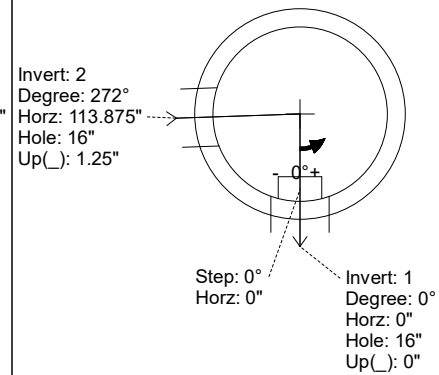
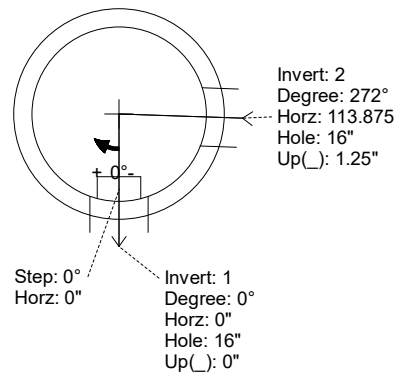
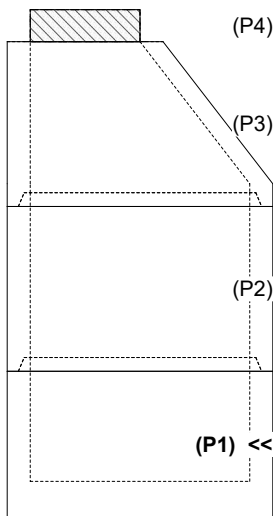
- Structure Notes:**
1. PER KYTC & ASTM C-478 SPECIFICATIONS
 2. CONCRETE: 4,000 PSI AT 28 DAYS
 3. REINFORCEMENT: PER ASTM A615
 4. INVERT CHANNEL REQUIRED
 5. STEPS AT 0 DEGREES
 6. HOE MC-375 FRAME & COVER "BGMU SANITARY" SUPPLIED BY ICAST

Rim: 479.18' Rim to Invert: 8.43' Slack: 1.16" Sump: 3" Step Position: 0°

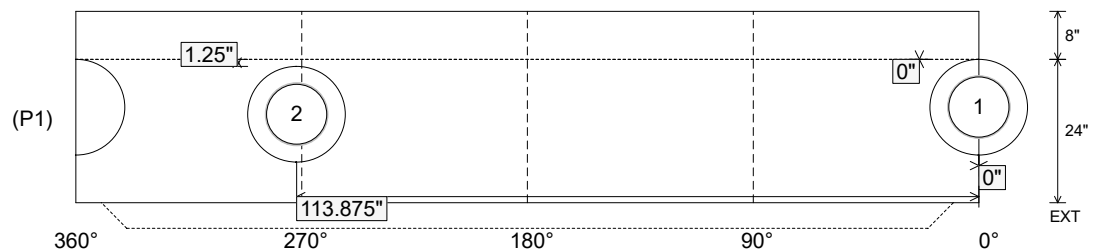
Position	Elev	Angle	Ext. (cw)	Pipe	Pipe OD	Connector	Hole	Horz Size	Up ()	Offset
Invert 1	470.75'	0°	0"	10" PVC SDR35	10.5"	PSX 16Y NYLO	16"	16.312"	0"	0"
Invert 2	470.85'	272°	137.625"	10" PVC SDR35	10.5"	PSX 16Y NYLO	16"	16.312"	1.25"	0"
Invert 3										
Invert 4										
Invert 5										
Invert 6										
Invert 7										
Invert 8										

RIGHT-SIDE UP VIEW (int. dimensions)

UPSIDE-DOWN VIEW (int. dimensions)



INSIDE WALL DIMENSIONS



Coating (Int):
 Coating (Ext):

Seam Up: Tongue
 Seam Dn: n/a

Wall Thickness: 5"
 Floor Height: 8"

Height (Int): 24"
 Height (Ext): 32"

Weight (Net): 3279 lb
 Volume (Net): 0.84cu.yd

Structure ID: 244-89 SS-MH

P1 MH048BA24

MH BASE (08"F) T/n

P4) 24" - CASTING HEIGHT - 7" P3) 48" - ECC CONE w/ 24" HOLE F/G - 36" P2) 48" - MH RISER T/G - 36" P1) 48" - MH BASE (08"F) T/n - 24" 1) 48" - MH INVERT CHANNEL - FULL HEIGHT 1) JOINT WRAP - 0.065"x6"x50' CONSEAL CS212 1) JOINT WRAP PRIMER - CONSEAL CS-75 (1 gal.) 1) CASTING - HOE MC-375 F/C BGMU Sanitary 2) 48" - Conseal CS-102 1.00" (Double) 2) PSX - 16Y NYLO 7) MH Step ML-10-TDS-NCR - 10"	<table border="0"> <tr><td>0 lb</td></tr> <tr><td>3000 lb</td></tr> <tr><td>2515 lb</td></tr> <tr><td>3279 lb</td></tr> <tr><td>1440 lb</td></tr> <tr><td>0 lb</td></tr> <tr><td>0 lb</td></tr> <tr><td>271 lb</td></tr> <tr><td>0 lb</td></tr> <tr><td>16 lb</td></tr> <tr><td>0 lb</td></tr> <tr><td>-----</td></tr> <tr><td>Structure Total: 10521 lb</td></tr> </table>	0 lb	3000 lb	2515 lb	3279 lb	1440 lb	0 lb	0 lb	271 lb	0 lb	16 lb	0 lb	-----	Structure Total: 10521 lb
0 lb														
3000 lb														
2515 lb														
3279 lb														
1440 lb														
0 lb														
0 lb														
271 lb														
0 lb														
16 lb														
0 lb														

Structure Total: 10521 lb														

Structure Notes:

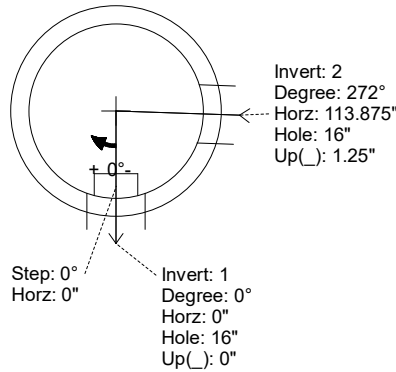
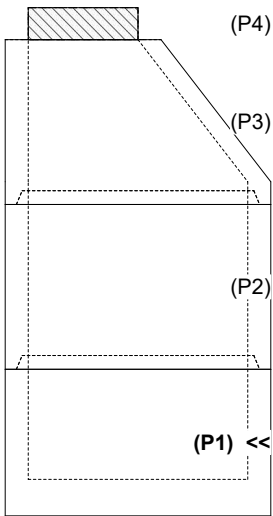
1. PER KYTC & ASTM C-478 SPECIFICATIONS
2. CONCRETE: 4,000 PSI AT 28 DAYS
3. REINFORCEMENT: PER ASTM A615
4. INVERT CHANNEL REQUIRED
5. STEPS AT 0 DEGREES
6. HOE MC-375 FRAME & COVER "BGMU SANITARY" SUPPLIED BY ICAST

Rim: 479.18' Rim to Invert: 8.43' Slack: 1.16" Sump: 3" Step Position: 0°

Position	Elev	Angle	Ext. (cw)	Pipe	Pipe OD	Connector	Hole	Horz Size	Up (L)	Offset
Invert 1	470.75'	0°	0"	10" PVC SDR35	10.5"	PSX 16Y NYLO	16"	16.312"	0"	0"
Invert 2	470.85'	272°	137.625"	10" PVC SDR35	10.5"	PSX 16Y NYLO	16"	16.312"	1.25"	0"
Invert 3										
Invert 4										
Invert 5										
Invert 6										
Invert 7										
Invert 8										

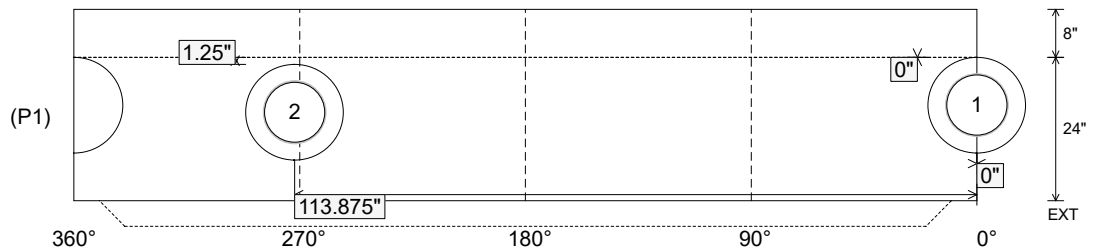
RIGHT-SIDE UP VIEW (int. dimensions)

UPSIDE-DOWN VIEW (int. dimensions)



INVERT CHANNEL DRAWING

INSIDE WALL DIMENSIONS



Coating (Int): Coating (Ext):	Seam Up: Tongue Seam Dn: n/a	Wall Thickness: 5" Floor Height: 8"	Height (Int): 24" Height (Ext): 32"	Weight (Net): 3279 lb Volume (Net): 0.84cu.yd
----------------------------------	---------------------------------	--	--	--