

Job Name: 26-1322B - KYTC Warren Co Call 104 (261503)
Job Location: Bowling Green, KY
Contractor: Cumberland Pipeline LLC

PC: Celina Goff
 TECH: Jared - A
 Plant: 100



Structure ID: 179-84 SS-MH

Spec: Sanitary
 Type: SAN.MH
 Size: 48"

Rim: 477.09'
 Invert: 469.18'
 Rim to Invert: 7.91'

Sump: 2"
 Floor (Top): 469.013'
 Floor Height: 8"

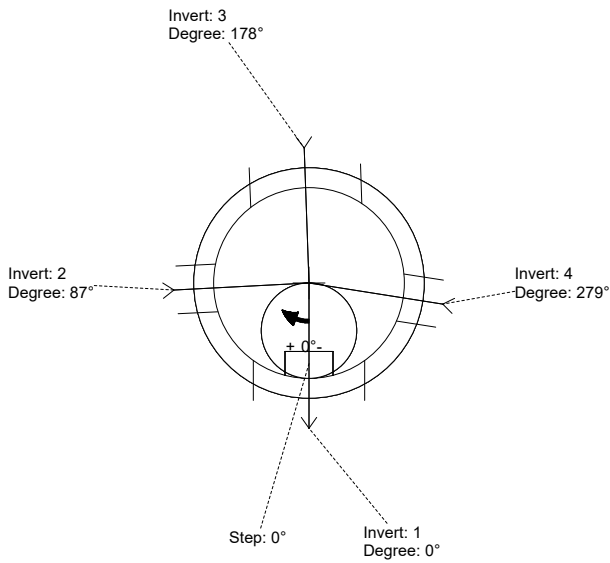
Floor (Bot): 468.347'
 Overall Height: 8.583'
 Slack: 1.92"

Structure Notes:

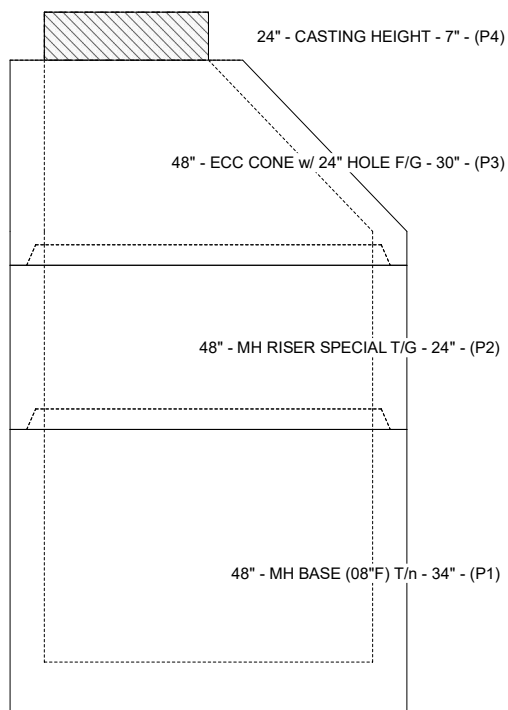
- PER KYTC & ASTM C-478 SPECIFICATIONS
- CONCRETE: 4,000 PSI AT 28 DAYS
- REINFORCEMENT: PER ASTM A615
- INVERT CHANNEL REQUIRED
- STEPS AT 0 DEGREES
- HOE MC-375 FRAME & COVER "BGMU SANITARY" SUPPLIED BY ICAST

STRUCTURE SUMMARY:

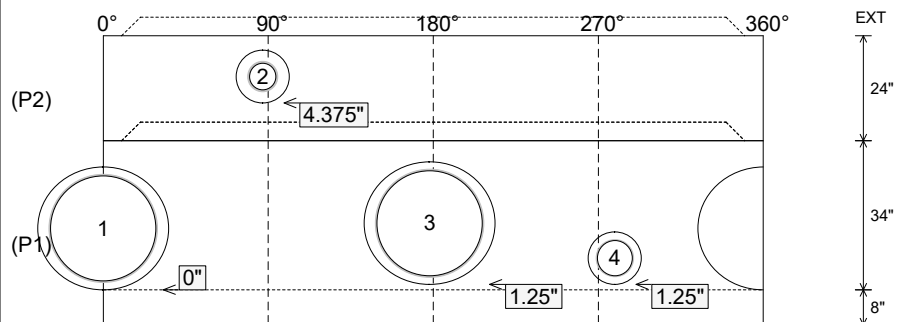
- P4) 24" - CASTING HEIGHT - 7" 0 lb
 - P3) 48" - ECC CONE w/ 24" HOLE F/G - 30" 2050 lb
 - P2) 48" - MH RISER SPECIAL T/G - 24" 1629 lb
 - P1) 48" - MH BASE (08°F) T/n - 34" 3555 lb
 - 1) 48" - MH INVERT CHANNEL - FULL HEIGHT 1440 lb
 - 1) JOINT WRAP - 0.065"x6"x50' CONSEAL CS212 0 lb
 - 1) JOINT WRAP PRIMER - CONSEAL CS-75 (1 gal.) 0 lb
 - 1) CASTING - HOE MC-375 F/C BGMU Sanitary 271 lb
 - 2) 48" - Conseal CS-102 1.00" (Double) 0 lb
 - 2) Kor-N-Seal2 - S206-28 13 lb
 - 1) PSX - 12-06 NYLO 8 lb
 - 1) PSX - 12-08 NYLO 8 lb
 - 6) MH Step ML-10-TDS-NCR - 10" 0 lb
- Structure Total: 8974 lb**



Position	Elev	Angle	Pipe	Pipe OD	Hole	Connector	Up (")	Ref
Rim	477.09'							
Reducer								
Invert 1	469.18'	0°	24" PVC SDR35	24.75"	28"	Kor-N-Seal2 S206-28	0"	P1
Invert 2	472.82'	87°	6" DI	6.875"	12"	PSX 12-06 NYLO	4.375"	P2
Invert 3	469.28'	178°	24" PVC SDR35	24.75"	28"	Kor-N-Seal2 S206-28	1.25"	P1
Invert 4	469.28'	279°	8" PVC SDR35	8.5"	12"	PSX 12-08 NYLO	1.25"	P1
Invert 5								
Invert 6								
Invert 7								
Invert 8								



Cast (Int. Dim.) - Interior Dimensions



Submittal Drawing
 4/21/2026 12:52:44 PM

SUBMITTAL
 APPROVED BY: