

Job Name: 26-1322B - KYTC Warren Co Call 104 (261503)
 Job Location: Bowling Green, KY
 Contractor: Cumberland Pipeline LLC

Plant: 100

4/21/2026 2:25:13 PM

Tech: Jared - A

PC: Celina Goff



Structure ID: 179-84 SS-MH

P1 MH048BAVF

MH BASE (08"F) T/n

P4) 24" - CASTING HEIGHT - 7"	0 lb
P3) 48" - ECC CONE w/ 24" HOLE F/G - 30"	2050 lb
P2) 48" - MH RISER SPECIAL T/G - 24"	1629 lb
P1) 48" - MH BASE (08"F) T/n - 34"	3555 lb
1) 48" - MH INVERT CHANNEL - FULL HEIGHT	1440 lb
1) JOINT WRAP - 0.065"x6"x50' CONSEAL CS212	0 lb
1) JOINT WRAP PRIMER - CONSEAL CS-75 (1 gal.)	0 lb
1) CASTING - HOE MC-375 F/C BGMU Sanitary	271 lb
2) 48" - Conseal CS-102 1.00" (Double)	0 lb
2) Kor-N-Seal2 - S206-28	13 lb
1) PSX - 12-06 NYLO	8 lb
1) PSX - 12-08 NYLO	8 lb
6) MH Step ML-10-TDS-NCR - 10"	0 lb
Structure Total:	8974 lb

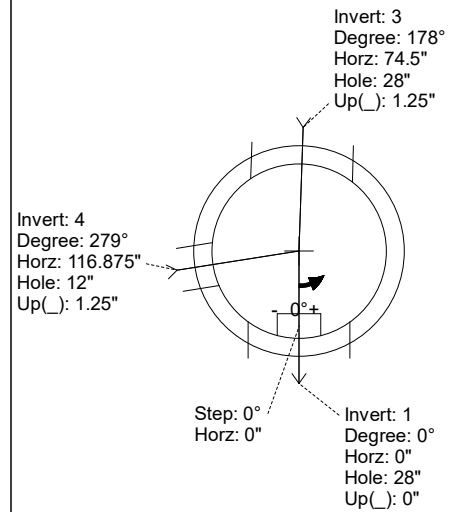
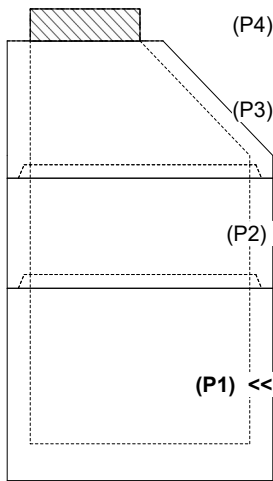
Structure Notes:
 1. PER KYTC & ASTM C-478 SPECIFICATIONS
 2. CONCRETE: 4,000 PSI AT 28 DAYS
 3. REINFORCEMENT: PER ASTM A615
 4. INVERT CHANNEL REQUIRED
 5. STEPS AT 0 DEGREES
 6. HOE MC-375 FRAME & COVER "BGMU SANITARY" SUPPLIED BY ICAST

Rim: 477.09' Rim to Invert: 7.91' Slack: 1.92" Sump: 2" Step Position: 0

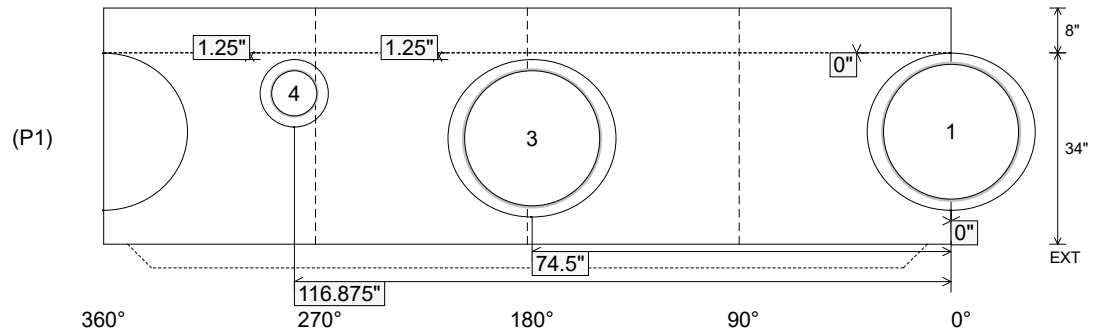
Position	Elev	Angle	Ext. (cw)	Pipe	Pipe OD	Connector	Hole	Horz Size	Up (↓)	Offset
Invert 1	469.18'	0°	0"	24" PVC SDR35	24.75"	Kor-N-Seal2 S206-28	28"	29.896"	0"	0"
Invert 2										
Invert 3	469.28'	178°	90.125"	24" PVC SDR35	24.75"	Kor-N-Seal2 S206-28	28"	29.896"	1.25"	0"
Invert 4	469.28'	279°	141.25"	8" PVC SDR35	8.5"	PSX 12-08 NYLO	12"	12.129"	1.25"	0"
Invert 5										
Invert 6										
Invert 7										
Invert 8										

RIGHT-SIDE UP VIEW (int. dimensions)

UPSIDE-DOWN VIEW (int. dimensions)



INSIDE WALL DIMENSIONS



Coating (Int):
 Coating (Ext):

Seam Up: Tongue
 Seam Dn: n/a

Wall Thickness: 5"
 Floor Height: 8"

Height (Int): 34"
 Height (Ext): 42"

Weight (Net): 3555 lb
 Volume (Net): 0.91cu.yd

Structure ID: 179-84 SS-MH

P1 MH048BAVF

MH BASE (08"F) T/n

P4) 24" - CASTING HEIGHT - 7" P3) 48" - ECC CONE w/ 24" HOLE F/G - 30" P2) 48" - MH RISER SPECIAL T/G - 24" P1) 48" - MH BASE (08"F) T/n - 34" 1) 48" - MH INVERT CHANNEL - FULL HEIGHT 1) JOINT WRAP - 0.065"x6"x50' CONSEAL CS212 1) JOINT WRAP PRIMER - CONSEAL CS-75 (1 gal.) 1) CASTING - HOE MC-375 F/C BGMU Sanitary 2) 48" - Conseal CS-102 1.00" (Double) 2) Kor-N-Seal2 - S206-28 1) PSX - 12-06 NYLO 1) PSX - 12-08 NYLO 6) MH Step ML-10-TDS-NCR - 10"	0 lb 2050 lb 1629 lb 3555 lb 1440 lb 0 lb 0 lb 271 lb 0 lb 13 lb 8 lb 8 lb 0 lb ----- Structure Total: 8974 lb
--	--

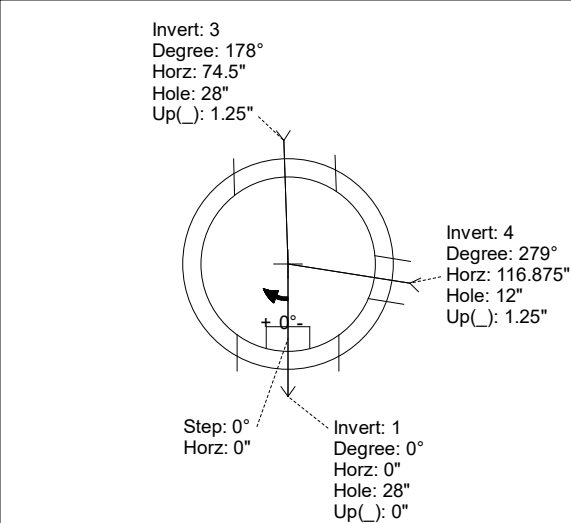
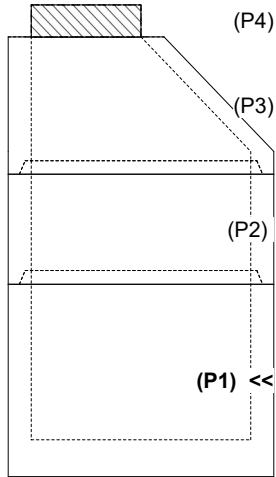
Structure Notes:

1. PER KYTC & ASTM C-478 SPECIFICATIONS
2. CONCRETE: 4,000 PSI AT 28 DAYS
3. REINFORCEMENT: PER ASTM A615
4. INVERT CHANNEL REQUIRED
5. STEPS AT 0 DEGREES
6. HOE MC-375 FRAME & COVER "BGMU SANITARY" SUPPLIED BY ICAST

Rim: 477.09' Rim to Invert: 7.91' Slack: 1.92" Sump: 2" Step Position: 0

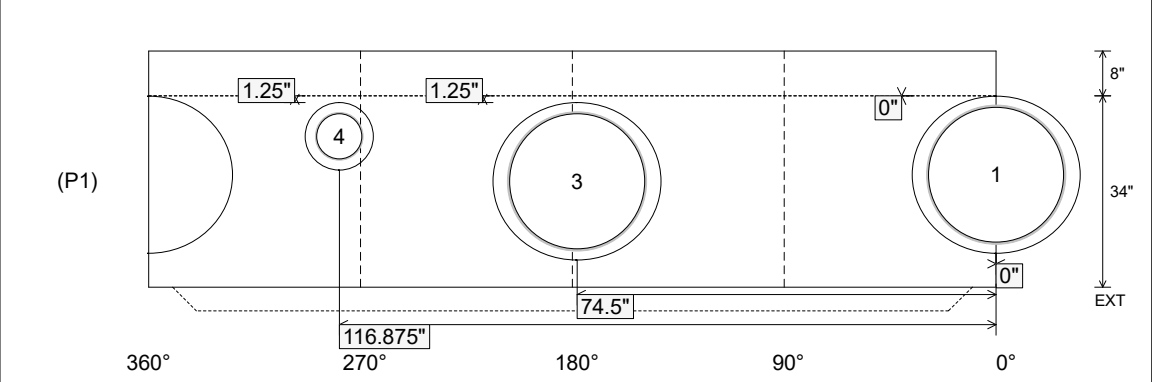
Position	Elev	Angle	Ext. (cw)	Pipe	Pipe OD	Connector	Hole	Horz Size	Up ()	Offset
Invert 1	469.18'	0°	0"	24" PVC SDR35	24.75"	Kor-N-Seal2 S206-28	28"	29.896"	0"	0"
Invert 2										
Invert 3	469.28'	178°	90.125"	24" PVC SDR35	24.75"	Kor-N-Seal2 S206-28	28"	29.896"	1.25"	0"
Invert 4	469.28'	279°	141.25"	8" PVC SDR35	8.5"	PSX 12-08 NYLO	12"	12.129"	1.25"	0"
Invert 5										
Invert 6										
Invert 7										
Invert 8										

RIGHT-SIDE UP VIEW (int. dimensions) UPSIDE-DOWN VIEW (int. dimensions)



INVERT CHANNEL DRAWING

INSIDE WALL DIMENSIONS



Coating (Int): Coating (Ext):	Seam Up: Tongue Seam Dn: n/a	Wall Thickness: 5" Floor Height: 8"	Height (Int): 34" Height (Ext): 42"	Weight (Net): 3555 lb Volume (Net): 0.91cu.yd
----------------------------------	---------------------------------	--	--	--