

Job Name: 26-1322B - KYTC Warren Co Call 104 (261503)
Job Location: Bowling Green, KY
Contractor: Cumberland Pipeline LLC

PC: Celina Goff
 TECH: Jared - A
 Plant: 100



Structure ID: 164-73 SS-MH

Spec: Sanitary
 Type: SAN.MH
 Size: 48"

Rim: 486.05'
 Invert: 475.66'
 Rim to Invert: 10.39'

Sump: 2.5"
 Floor (Top): 475.452'
 Floor Height: 8"

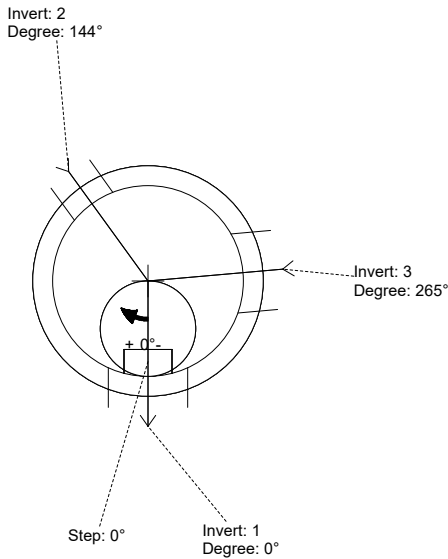
Floor (Bot): 474.785'
 Overall Height: 11.083'
 Slack: 2.18"

Structure Notes:

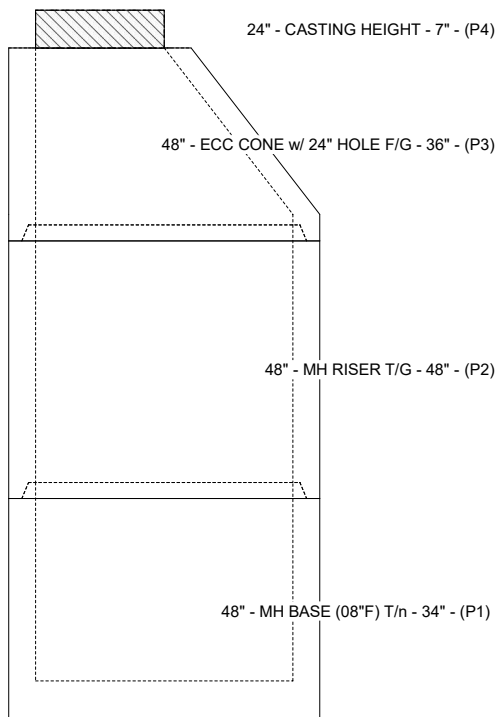
1. PER KYTC & ASTM C-478 SPECIFICATIONS
2. CONCRETE: 4,000 PSI AT 28 DAYS
3. REINFORCEMENT: PER ASTM A615
4. INVERT CHANNEL REQUIRED
5. STEPS AT 0 DEGREES
6. HOE MC-375 FRAME & COVER "BGMU SANITARY" SUPPLIED BY ICAST

STRUCTURE SUMMARY:

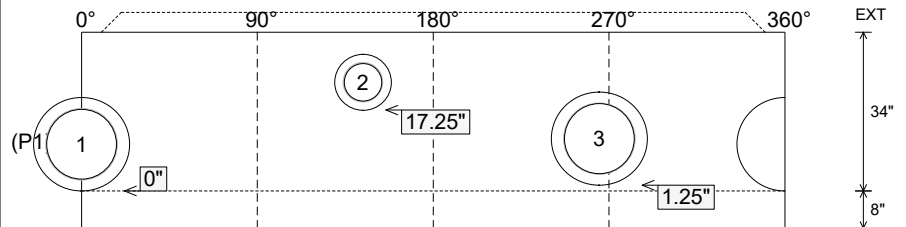
- P4) 24" - CASTING HEIGHT - 7" 0 lb
 - P3) 48" - ECC CONE w/ 24" HOLE F/G - 36" 3000 lb
 - P2) 48" - MH RISER T/G - 48" 3353 lb
 - P1) 48" - MH BASE (08°F) T/n - 34" 3830 lb
 - 1) 48" - MH INVERT CHANNEL - FULL HEIGHT 1440 lb
 - 1) JOINT WRAP - 0.065"x6"x50' CONSEAL CS212 0 lb
 - 1) JOINT WRAP PRIMER - CONSEAL CS-75 (1 gal.) 0 lb
 - 1) CASTING - HOE MC-375 F/C BGMU Sanitary 271 lb
 - 2) 48" - Conseal CS-102 1.00" (Double) 0 lb
 - 2) Kor-N-Seal1 - S106-20BW 13 lb
 - 1) PSX - 12-08 NYLO 8 lb
 - 8) MH Step ML-10-TDS-NCR - 10" 0 lb
- Structure Total: 11916 lb**



Position	Elev	Angle	Pipe	Pipe OD	Hole	Connector	Up (")	Ref
Rim	486.05'							
Reducer								
Invert 1	475.66'	0°	15" PVC SDR35	15.3"	20"	Kor-N-Seal1 S106-20BW	0"	P1
Invert 2	477.06'	144°	8" PVC SDR35	8.5"	12"	PSX 12-08 NYLO	17.25"	P1
Invert 3	475.76'	265°	15" PVC SDR35	15.3"	20"	Kor-N-Seal1 S106-20BW	1.25"	P1
Invert 4								
Invert 5								
Invert 6								
Invert 7								
Invert 8								



Cast (Int. Dim.) - Interior Dimensions



Submittal Drawing
 4/21/2026 12:52:40 PM

SUBMITTAL
 APPROVED BY: