

**Structure ID: 164-73 SS-MH**

**P1 MH048BAVF**

**MH BASE (08"F) T/n**

P4) 24" - CASTING HEIGHT - 7" P3) 48" - ECC CONE w/ 24" HOLE F/G - 36" P2) 48" - MH RISER T/G - 48" P1) 48" - MH BASE (08"F) T/n - 34" 1) 48" - MH INVERT CHANNEL - FULL HEIGHT 1) JOINT WRAP - 0.065"x6"x50' CONSEAL CS212 1) JOINT WRAP PRIMER - CONSEAL CS-75 (1 gal.) 1) CASTING - HOE MC-375 F/C BGMU Sanitary 2) 48" - Conseal CS-102 1.00" (Double) 2) Kor-N-Seal1 - S106-20BW 1) PSX - 12-08 NYLO 8) MH Step ML-10-TDS-NCR - 10"	0 lb 3000 lb 3353 lb 3830 lb 1440 lb 0 lb 0 lb 271 lb 0 lb 13 lb 8 lb 0 lb <hr style="border-top: 1px dashed black;"/> Structure Total: 11916 lb
---------------------------------------------------------------------------------------------------------------------------------------------------------------------------------------------------------------------------------------------------------------------------------------------------------------------------------------------------------------------------------------------------------------------------------------------------------------------------	--------------------------------------------------------------------------------------------------------------------------------------------------------------------------------------

**Structure Notes:**

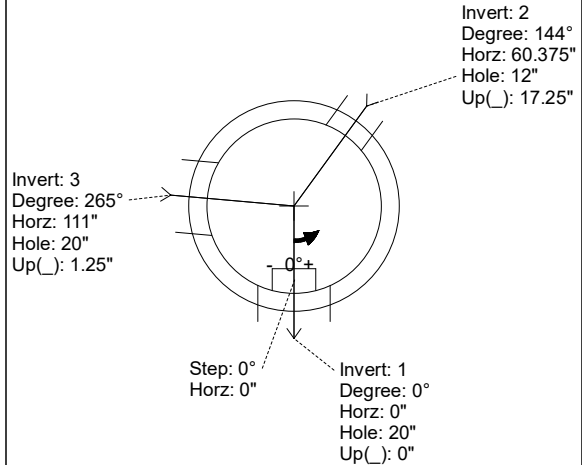
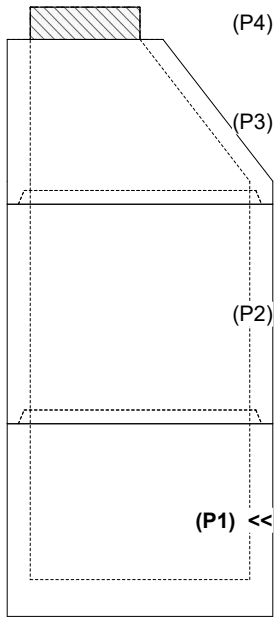
1. PER KYTC & ASTM C-478 SPECIFICATIONS
2. CONCRETE: 4,000 PSI AT 28 DAYS
3. REINFORCEMENT: PER ASTM A615
4. INVERT CHANNEL REQUIRED
5. STEPS AT 0 DEGREES
6. HOE MC-375 FRAME & COVER "BGMU SANITARY" SUPPLIED BY ICAST

Rim: 486.05'    Rim to Invert: 10.39'    Slack: 2.18"    Sump: 2.5"    Step Position: 0°

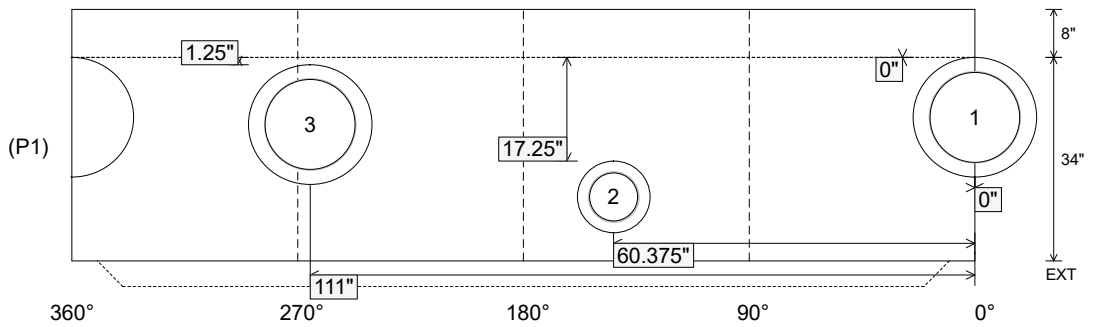
Position	Elev	Angle	Ext. (cw)	Pipe	Pipe OD	Connector	Hole	Horz Size	Up ( )	Offset
Invert 1	475.66'	0°	0"	15" PVC SDR35	15.3"	Kor-N-Seal1 S106-20BW	20"	20.629"	0"	0"
Invert 2	477.06'	144°	72.875"	8" PVC SDR35	8.5"	PSX 12-08 NYLO	12"	12.129"	17.25"	0"
Invert 3	475.76'	265°	134.125"	15" PVC SDR35	15.3"	Kor-N-Seal1 S106-20BW	20"	20.629"	1.25"	0"
Invert 4										
Invert 5										
Invert 6										
Invert 7										
Invert 8										

RIGHT-SIDE UP VIEW (int. dimensions)

UPSIDE-DOWN VIEW (int. dimensions)



INSIDE WALL DIMENSIONS



Coating (Int): Coating (Ext):	Seam Up: Tongue Seam Dn: n/a	Wall Thickness: 5" Floor Height: 8"	Height (Int): 34" Height (Ext): 42"	Weight (Net): 3830 lb Volume (Net): 0.98cu.yd
----------------------------------	---------------------------------	----------------------------------------	----------------------------------------	--------------------------------------------------

**Structure ID: 164-73 SS-MH**

**P1 MH048BAVF**

**MH BASE (08"F) T/n**

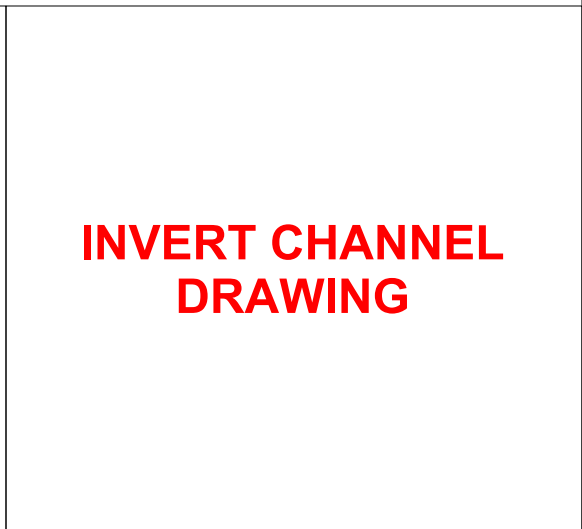
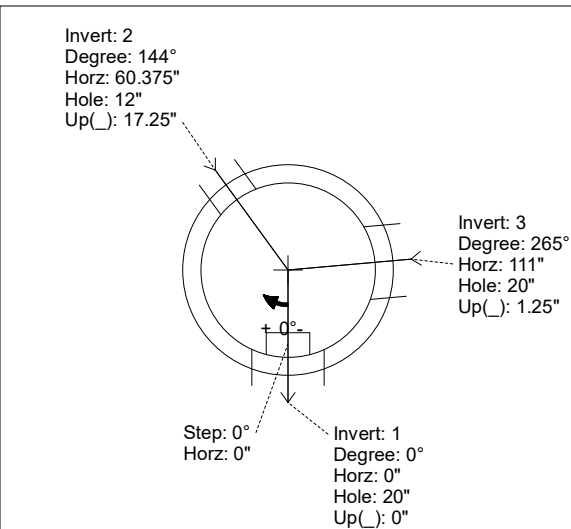
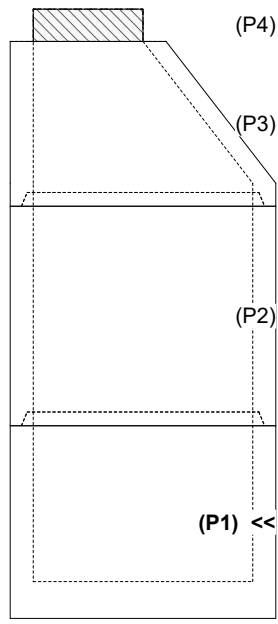
P4) 24" - CASTING HEIGHT - 7" P3) 48" - ECC CONE w/ 24" HOLE F/G - 36" P2) 48" - MH RISER T/G - 48" P1) 48" - MH BASE (08"F) T/n - 34" 1) 48" - MH INVERT CHANNEL - FULL HEIGHT 1) JOINT WRAP - 0.065"x6"x50' CONSEAL CS212 1) JOINT WRAP PRIMER - CONSEAL CS-75 (1 gal.) 1) CASTING - HOE MC-375 F/C BGMU Sanitary 2) 48" - Conseal CS-102 1.00" (Double) 2) Kor-N-Seal1 - S106-20BW 1) PSX - 12-08 NYLO 8) MH Step ML-10-TDS-NCR - 10"	0 lb 3000 lb 3353 lb 3830 lb 1440 lb 0 lb 0 lb 271 lb 0 lb 13 lb 8 lb 0 lb ----- Structure Total: 11916 lb	<b>Structure Notes:</b> 1. PER KYTC & ASTM C-478 SPECIFICATIONS 2. CONCRETE: 4,000 PSI AT 28 DAYS 3. REINFORCEMENT: PER ASTM A615 4. INVERT CHANNEL REQUIRED 5. STEPS AT 0 DEGREES 6. HOE MC-375 FRAME & COVER "BGMU SANITARY" SUPPLIED BY ICAST
---------------------------------------------------------------------------------------------------------------------------------------------------------------------------------------------------------------------------------------------------------------------------------------------------------------------------------------------------------------------------------------------------------------------------------------------------------------------------	---------------------------------------------------------------------------------------------------------------------------------------------------	--------------------------------------------------------------------------------------------------------------------------------------------------------------------------------------------------------------------------------------------------------------------

Rim: 486.05'    Rim to Invert: 10.39'    Slack: 2.18"    Sump: 2.5"    Step Position: 0°

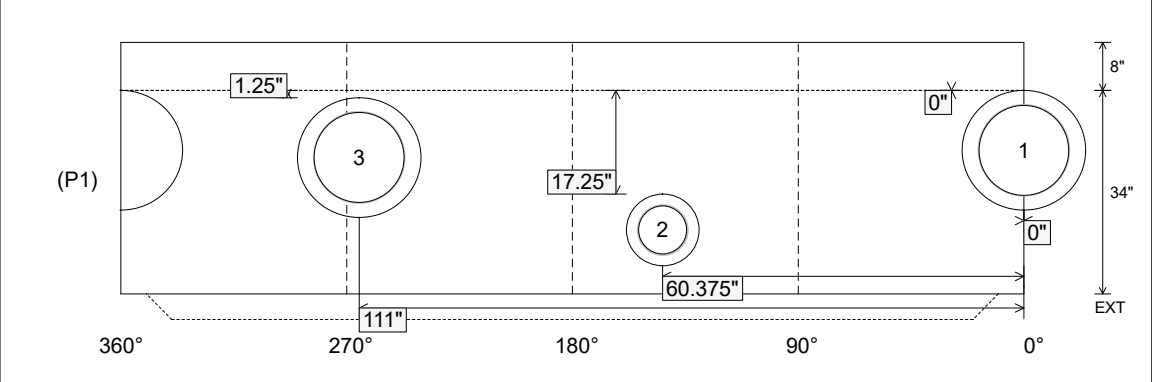
Position	Elev	Angle	Ext. (cw)	Pipe	Pipe OD	Connector	Hole	Horz Size	Up (↓)	Offset
Invert 1	475.66'	0°	0"	15" PVC SDR35	15.3"	Kor-N-Seal1 S106-20BW	20"	20.629"	0"	0"
Invert 2	477.06'	144°	72.875"	8" PVC SDR35	8.5"	PSX 12-08 NYLO	12"	12.129"	17.25"	0"
Invert 3	475.76'	265°	134.125"	15" PVC SDR35	15.3"	Kor-N-Seal1 S106-20BW	20"	20.629"	1.25"	0"
Invert 4										
Invert 5										
Invert 6										
Invert 7										
Invert 8										

RIGHT-SIDE UP VIEW (int. dimensions)

UPSIDE-DOWN VIEW (int. dimensions)



INSIDE WALL DIMENSIONS



Coating (Int): Coating (Ext):	Seam Up: Tongue Seam Dn: n/a	Wall Thickness: 5" Floor Height: 8"	Height (Int): 34" Height (Ext): 42"	Weight (Net): 3830 lb Volume (Net): 0.98cu.yd
----------------------------------	---------------------------------	----------------------------------------	----------------------------------------	--------------------------------------------------