

Job Name: 26-1322B - KYTC Warren Co Call 104 (261503)  
 Job Location: Bowling Green, KY  
 Contractor: Cumberland Pipeline LLC

Plant: 100

4/21/2026 2:25:17 PM

Tech: Jared - A

PC: Celina Goff



**Structure ID: 155-92 SS-MH**

**P1 MH048BA42**

**MH BASE (08"F) T/n**

- P4) 24" - CASTING HEIGHT - 7"
- P3) 48" - ECC CONE w/ 24" HOLE F/G - 42"
- P2) 48" - MH RISER T/G - 48"
- P1) 48" - MH BASE (08"F) T/n - 42"
- 1) 48" - MH INVERT CHANNEL - FULL HEIGHT
- 1) JOINT WRAP PRIMER - CONSEAL CS-75 (1 gal.)
- 1) JOINT WRAP - 0.065"x6"x50" CONSEAL CS212
- 1) CASTING - HOE MC-375 F/C BGMU Sanitary
- 2) 48" - Conseal CS-102 1.00" (Double)
- 1) Kor-N-Seal1 - S106-20BW
- 1) PSX - 16L NYLO
- 10) MH Step ML-10-TDS-NCR - 10"

0 lb  
 3200 lb  
 3353 lb  
 4487 lb  
 1440 lb  
 0 lb  
 0 lb  
 271 lb  
 0 lb  
 6 lb  
 8 lb  
 0 lb  
 -----  
 Structure Total: 12765 lb

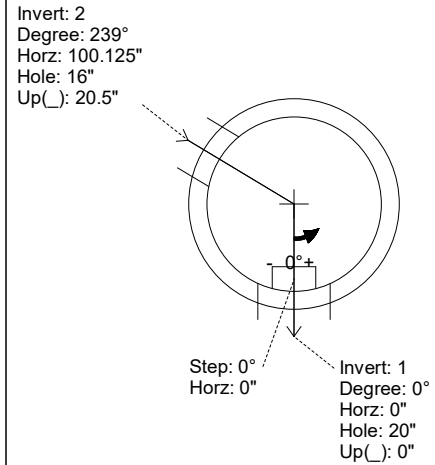
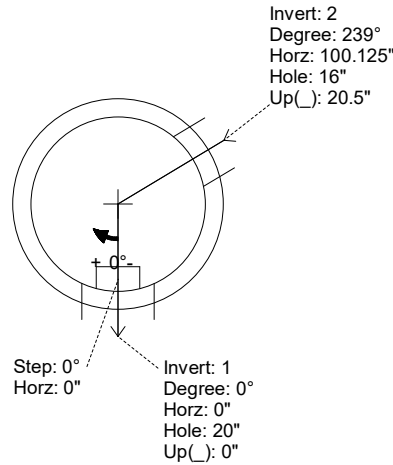
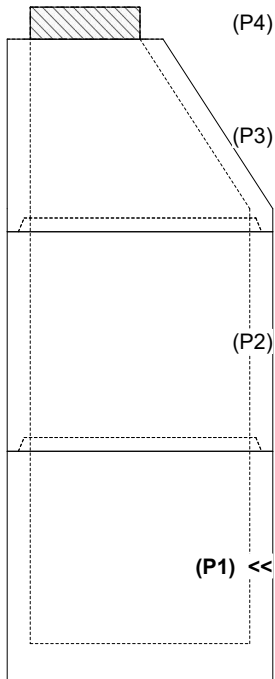
- Structure Notes:**
1. PER KYTC & ASTM C-478 SPECIFICATIONS
  2. CONCRETE: 4,000 PSI AT 28 DAYS
  3. REINFORCEMENT: PER ASTM A615
  4. INVERT CHANNEL REQUIRED
  5. STEPS AT 0 DEGREES
  6. HOE MC-375 FRAME & COVER "BGMU SANITARY" SUPPLIED BY ICAST

Rim: 533.62' Rim to Invert: 11.51' Slack: 1.62' Sump: 2.5" Step Position: 0°

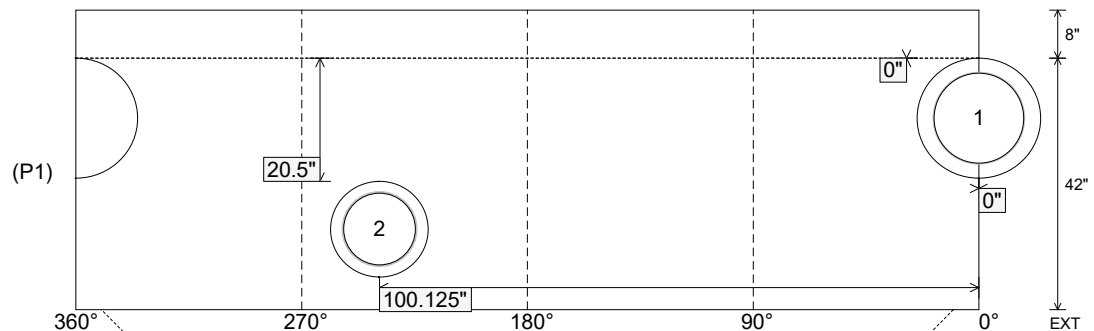
Position	Elev	Angle	Ext. (cw)	Pipe	Pipe OD	Connector	Hole	Horz Size	Up ( )	Offset
Invert 1	522.11'	0°	0"	15" PVC SDR35	15.3"	Kor-N-Seal1 S106-20BW	20"	20.629"	0"	0"
Invert 2	523.78'	239°	121"	12" PVC SDR35	12.5"	PSX 16L NYLO	16"	16.312"	20.5"	0"
Invert 3										
Invert 4										
Invert 5										
Invert 6										
Invert 7										
Invert 8										

RIGHT-SIDE UP VIEW (int. dimensions)

UPSIDE-DOWN VIEW (int. dimensions)



INSIDE WALL DIMENSIONS



Coating (Int):  
 Coating (Ext):

Seam Up: Tongue  
 Seam Dn: n/a

Wall Thickness: 5"  
 Floor Height: 8"

Height (Int): 42"  
 Height (Ext): 50"

Weight (Net): 4487 lb  
 Volume (Net): 1.15cu.yd

Job Name: 26-1322B - KYTC Warren Co Call 104 (261503)  
 Job Location: Bowling Green, KY  
 Contractor: Cumberland Pipeline LLC

Plant: 100

4/21/2026 2:25:17 PM

Tech: Jared - A

PC: Celina Goff



**Structure ID: 155-92 SS-MH**

**P1 MH048BA42**

**MH BASE (08"F) T/n**

P4) 24" - CASTING HEIGHT - 7"	0 lb
P3) 48" - ECC CONE w/ 24" HOLE F/G - 42"	3200 lb
P2) 48" - MH RISER T/G - 48"	3353 lb
P1) 48" - MH BASE (08"F) T/n - 42"	4487 lb
1) 48" - MH INVERT CHANNEL - FULL HEIGHT	1440 lb
1) JOINT WRAP PRIMER - CONSEAL CS-75 (1 gal.)	0 lb
1) JOINT WRAP - 0.065"x6"x50" CONSEAL CS212	0 lb
1) CASTING - HOE MC-375 F/C BGMU Sanitary	271 lb
2) 48" - Conseal CS-102 1.00" (Double)	0 lb
1) Kor-N-Seal1 - S106-20BW	6 lb
1) PSX - 16L NYLO	8 lb
10) MH Step ML-10-TDS-NCR - 10"	0 lb
Structure Total:	12765 lb

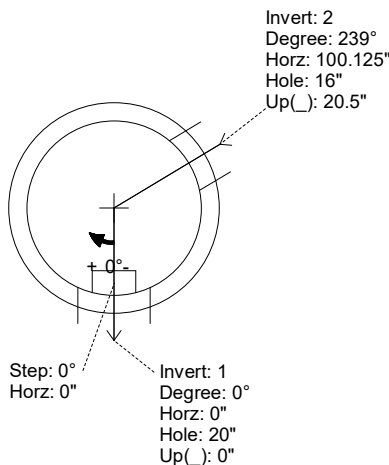
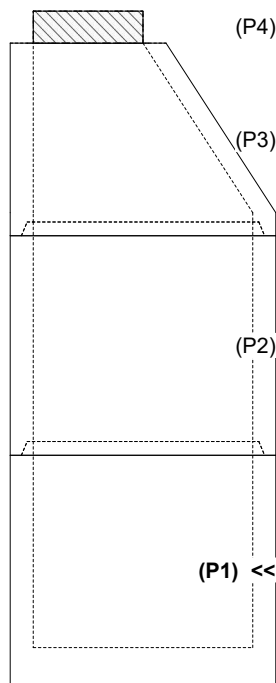
**Structure Notes:**  
 1. PER KYTC & ASTM C-478 SPECIFICATIONS  
 2. CONCRETE: 4,000 PSI AT 28 DAYS  
 3. REINFORCEMENT: PER ASTM A615  
 4. INVERT CHANNEL REQUIRED  
 5. STEPS AT 0 DEGREES  
 6. HOE MC-375 FRAME & COVER "BGMU SANITARY" SUPPLIED BY ICAST

Rim: 533.62' Rim to Invert: 11.51' Slack: 1.62' Sump: 2.5' Step Position: 0°

Position	Elev	Angle	Ext. (cw)	Pipe	Pipe OD	Connector	Hole	Horz Size	Up ( )	Offset
Invert 1	522.11'	0°	0"	15" PVC SDR35	15.3"	Kor-N-Seal1 S106-20BW	20"	20.629"	0"	0"
Invert 2	523.78'	239°	121"	12" PVC SDR35	12.5"	PSX 16L NYLO	16"	16.312"	20.5"	0"
Invert 3										
Invert 4										
Invert 5										
Invert 6										
Invert 7										
Invert 8										

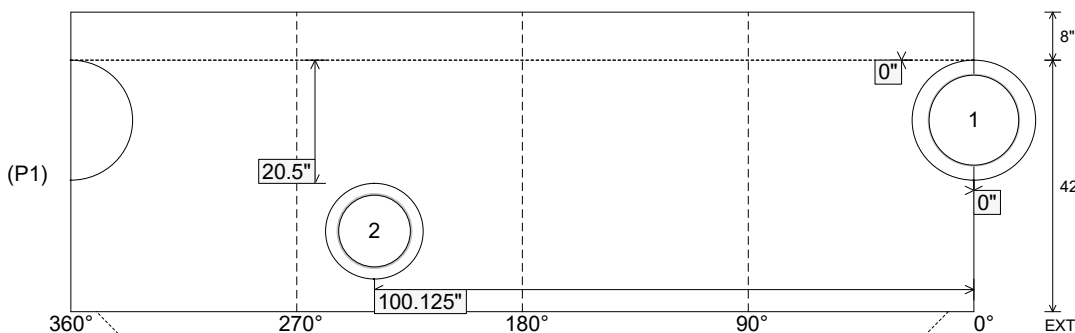
RIGHT-SIDE UP VIEW (int. dimensions)

UPSIDE-DOWN VIEW (int. dimensions)



**INVERT CHANNEL DRAWING**

INSIDE WALL DIMENSIONS



Coating (Int):  
 Coating (Ext):

Seam Up: Tongue  
 Seam Dn: n/a

Wall Thickness: 5"  
 Floor Height: 8"

Height (Int): 42"  
 Height (Ext): 50"

Weight (Net): 4487 lb  
 Volume (Net): 1.15cu.yd