

Job Name: 26-1322B - KYTC Warren Co Call 104 (261503)
Job Location: Bowling Green, KY
Contractor: Cumberland Pipeline LLC

PC: Celina Goff
 TECH: Jared - A
 Plant: 100



Structure ID: **154-91 SS-MH**

Spec: Sanitary
 Type: SAN.MH
 Size: 48"

Rim: 533.54'
 Invert: 523.83'
 Rim to Invert: 9.71'

Sump: 2"
 Floor (Top): 523.663'
 Floor Height: 8"

Floor (Bot): 522.997'
 Overall Height: 10.417'
 Slack: 1.52"

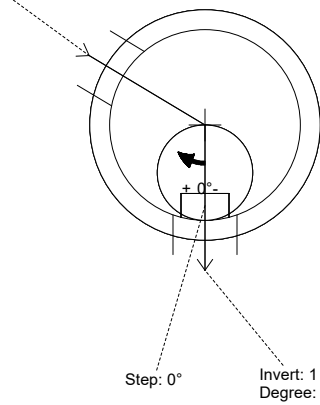
Structure Notes:

- PER KYTC & ASTM C-478 SPECIFICATIONS
- CONCRETE: 4,000 PSI AT 28 DAYS
- REINFORCEMENT: PER ASTM A615
- INVERT CHANNEL REQUIRED
- STEPS AT 0 DEGREES
- HOE MC-375 FRAME & COVER "BGMU SANITARY" SUPPLIED BY ICAST

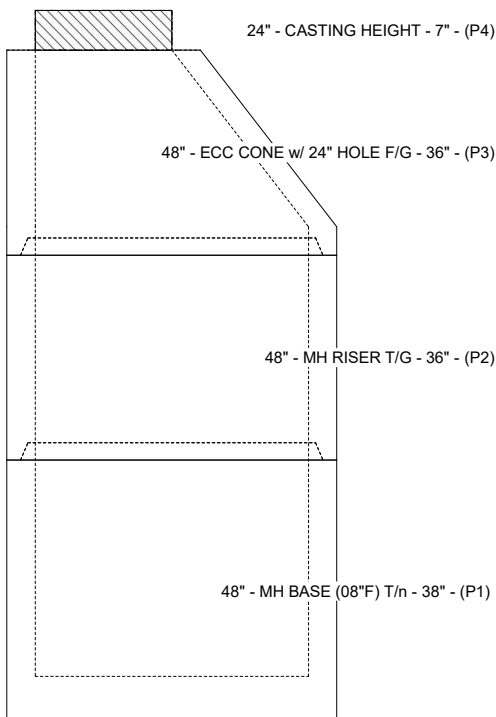
STRUCTURE SUMMARY:

P4) 24" - CASTING HEIGHT - 7"	0 lb
P3) 48" - ECC CONE w/ 24" HOLE F/G - 36"	3000 lb
P2) 48" - MH RISER T/G - 36"	2515 lb
P1) 48" - MH BASE (08"F) T/n - 38"	4257 lb
1) 48" - MH INVERT CHANNEL - FULL HEIGHT	1440 lb
1) JOINT WRAP - 0.065"x6"x50' CONSEAL CS212	0 lb
1) JOINT WRAP PRIMER - CONSEAL CS-75 (1 gal.)	0 lb
1) CASTING - HOE MC-375 F/C BGMU Sanitary	271 lb
2) 48" - Conseal CS-102 1.00" (Double)	0 lb
2) PSX - 16L NYLO	16 lb
8) MH Step ML-10-TDS-NCR - 10"	0 lb
Structure Total:	11499 lb

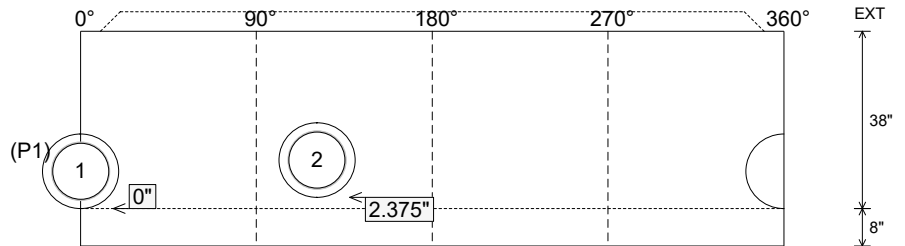
Invert: 2
 Degree: 121°



Position	Elev	Angle	Pipe	Pipe OD	Hole	Connector	Up (L)	Ref
Rim	533.54'							
Reducer								
Invert 1	523.83'	0°	12" PVC SDR35	12.5"	16"	PSX 16L NYLO	0"	P1
Invert 2	524.03'	121°	12" PVC SDR35	12.5"	16"	PSX 16L NYLO	2.375"	P1
Invert 3								
Invert 4								
Invert 5								
Invert 6								
Invert 7								
Invert 8								



Cast (Int. Dim.) - Interior Dimensions



Submittal Drawing
 4/21/2026 12:52:47 PM

SUBMITTAL
 APPROVED BY: