

Job Name: 26-1322B - KYTC Warren Co Call 104 (261503)  
 Job Location: Bowling Green, KY  
 Contractor: Cumberland Pipeline LLC

Plant: 100

Tech: Jared - A

4/21/2026 3:37:24 PM

PC: Celina Goff



**Structure ID: 154-91 SS-MH**

**P3 MH048CN36**

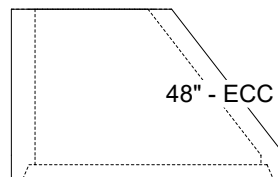
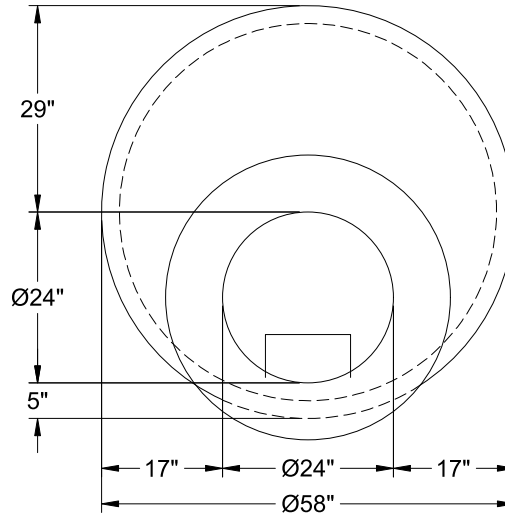
**ECC CONE w/ 24" HOLE F/G**

- P4) 24" - CASTING HEIGHT - 7"
- P3) 48" - ECC CONE w/ 24" HOLE F/G - 36"
- P2) 48" - MH RISER T/G - 36"
- P1) 48" - MH BASE (08"F) T/n - 38"
- 1) 48" - MH INVERT CHANNEL - FULL HEIGHT
- 1) JOINT WRAP - 0.065"x6"x50' CONSEAL CS212
- 1) JOINT WRAP PRIMER - CONSEAL CS-75 (1 gal.)
- 1) CASTING - HOE MC-375 F/C BGMU Sanitary
- 2) 48" - Conseal CS-102 1.00" (Double)
- 2) PSX - 16L NYLO
- 8) MH Step ML-10-TDS-NCR - 10"

- 0 lb
- 3000 lb
- 2515 lb
- 4257 lb
- 1440 lb
- 0 lb
- 0 lb
- 271 lb
- 0 lb
- 16 lb
- 0 lb

Structure Notes:  
 1. PER KYTC & ASTM C-478 SPECIFICATIONS  
 2. CONCRETE: 4,000 PSI AT 28 DAYS  
 3. REINFORCEMENT: PER ASTM A615  
 4. STEPS REQUIRED  
 5. HOE MC-375 FRAME & COVER "BGMU SANITARY" SUPPLIED BY ICAST

Structure Total: 11499 lb



48" - ECC CONE w/ 24" HOLE F/G - 36" - (P3)

Coating (Int):  
 Coating (Ext):

Seam Up: Flat  
 Seam Dn: Groove

Wall Thickness: 5"

Height (Ext): 36"

Weight (Net): 3000 lb  
 Volume (Net): 0.5cu.yd