

**Job Name: 26-1322B - KYTC Warren Co Call 104 (261503)**  
**Job Location: Bowling Green, KY**  
**Contractor: Cumberland Pipeline LLC**

PC: Celina Goff  
 TECH: Jared - A  
 Plant: 100



Structure ID: 153-90 SS-MH

Spec: Sanitary  
 Type: SAN.MH  
 Size: 48"

Rim: 534.8'  
 Invert: 524.96'  
 Rim to Invert: 9.84'

Sump: 2"  
 Floor (Top): 524.793'  
 Floor Height: 8"

Floor (Bot): 524.127'  
 Overall Height: 10.583'  
 Slack: 1.08"

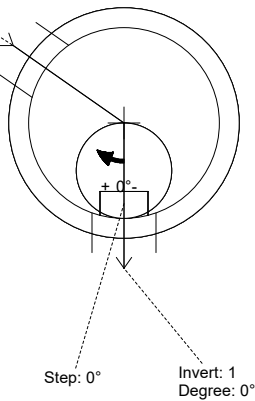
**Structure Notes:**

- PER KYTC & ASTM C-478 SPECIFICATIONS
- CONCRETE: 4,000 PSI AT 28 DAYS
- REINFORCEMENT: PER ASTM A615
- INVERT CHANNEL REQUIRED
- STEPS AT 0 DEGREES
- HOE MC-375 FRAME & COVER "BGMU SANITARY" SUPPLIED BY ICAST

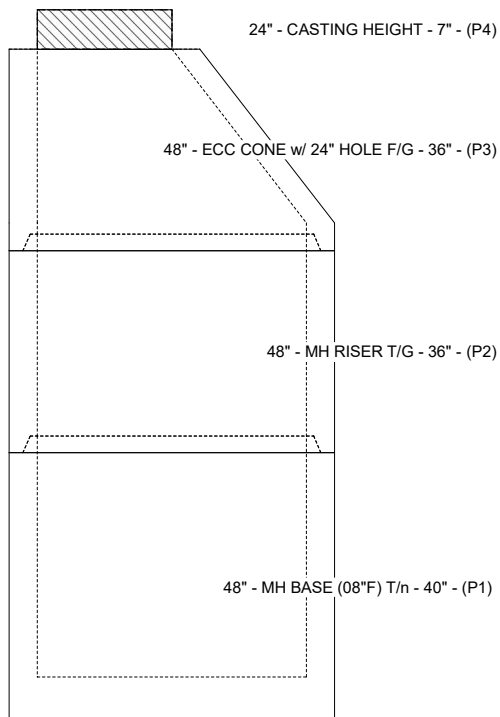
**STRUCTURE SUMMARY:**

- P4) 24" - CASTING HEIGHT - 7" 0 lb
  - P3) 48" - ECC CONE w/ 24" HOLE F/G - 36" 3000 lb
  - P2) 48" - MH RISER T/G - 36" 2515 lb
  - P1) 48" - MH BASE (08"F) T/n - 40" 4396 lb
  - 1) 48" - MH INVERT CHANNEL - FULL HEIGHT 1440 lb
  - 1) JOINT WRAP - 0.065"x6"x50' CONSEAL CS212 0 lb
  - 1) JOINT WRAP PRIMER - CONSEAL CS-75 (1 gal.) 0 lb
  - 1) CASTING - HOE MC-375 F/C BGMU Sanitary 271 lb
  - 2) 48" - Conseal CS-102 1.00" (Double) 0 lb
  - 1) PSX - 16L NYLO 8 lb
  - 1) PSX - 16M NYLO 8 lb
  - 8) MH Step ML-10-TDS-NCR - 10" 0 lb
- Structure Total: 11638 lb**

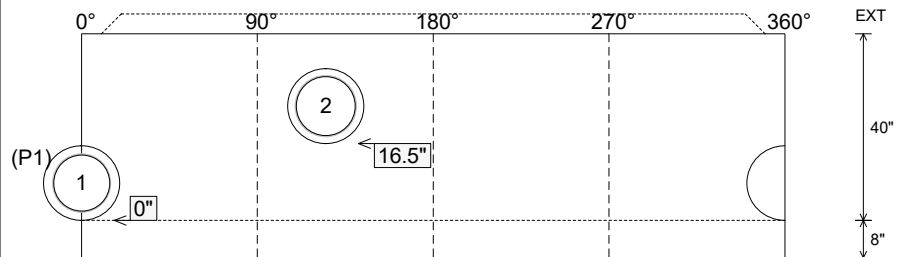
Invert: 2  
 Degree: 125°



Position	Elev	Angle	Pipe	Pipe OD	Hole	Connector	Up (L)	Ref
Rim	534.8'							
Reducer								
Invert 1	524.96'	0°	12" PVC SDR35	12.5"	16"	PSX 16L NYLO	0"	P1
Invert 2	526.31'	125°	12" DI	13.2"	16"	PSX 16M NYLO	16.5"	P1
Invert 3								
Invert 4								
Invert 5								
Invert 6								
Invert 7								
Invert 8								



**Cast (Int. Dim.) - Interior Dimensions**



Submittal Drawing  
 4/21/2026 12:52:46 PM

SUBMITTAL  
 APPROVED BY: