

Job Name: 26-1321 - MVUD Meter Vault
Job Location: Franklin, TN
Contractor: Core & Main LP (Nashville)

PC: Trevor Lewis
 TECH: Jared - A
 Plant: 100



Structure ID: 2
 Spec: Vaults
 Type: Vault 10inW, 8inF
 Size: 108" x 108"

Rim: 9.04'
 Invert: 9.04'
 Rim to Invert: 0'

Sump: 108.48"
 Floor (Top): 0'
 Floor Height: 8"

Floor (Bot): -0.667'
 Overall Height: 9'
 Slack: 8.48"

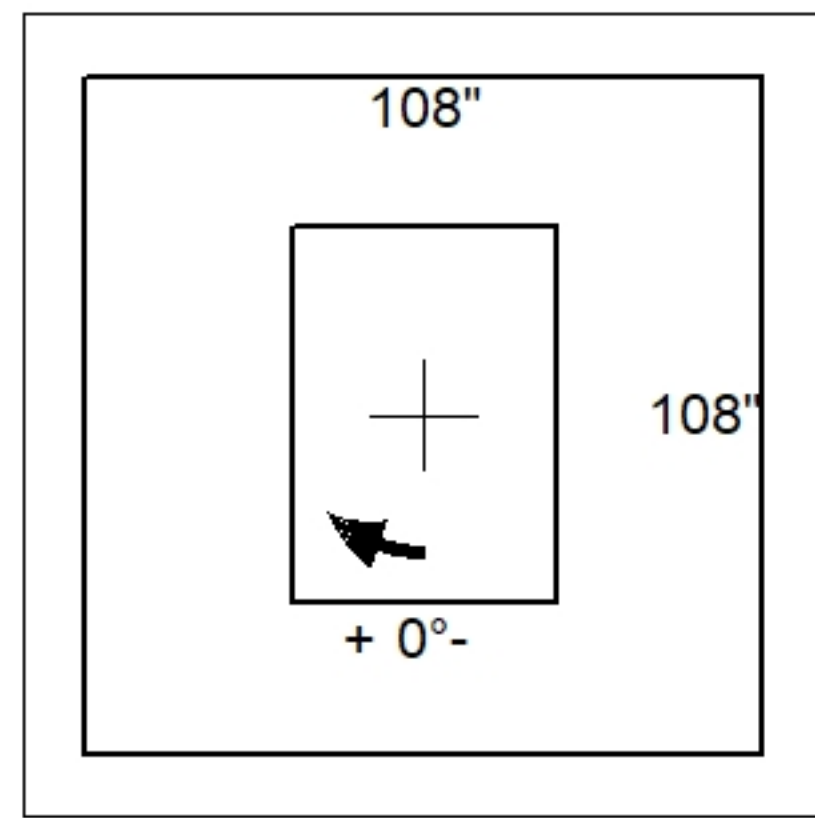
Structure Notes:

1. PER ASTM C913 SPECIFICATIONS.
2. CONCRETE = 4,000 PSI AT 28 DAYS.
3. NO INVERT CHANNEL.

REINFORCING PER ASTM A615 (GRADE 60).
 - TOP SLAB (As .62) #5 BARS AT 6" C.C.E.W.
 - WALLS (As .31) #5 BARS AT 12" C.C.E.W.
 - FLOOR (As .31) #5 BARS AT 12" C.C.E.W.

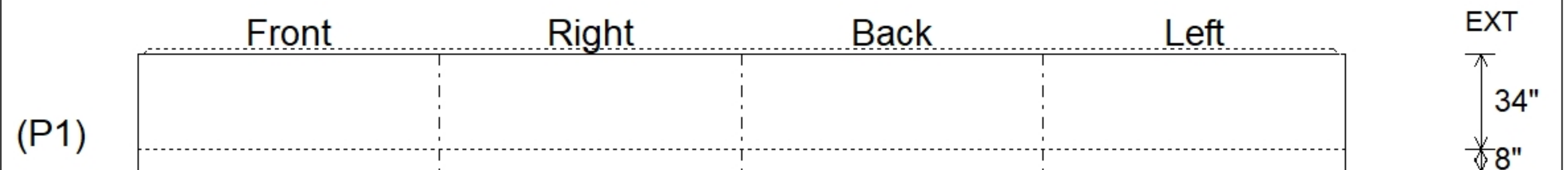
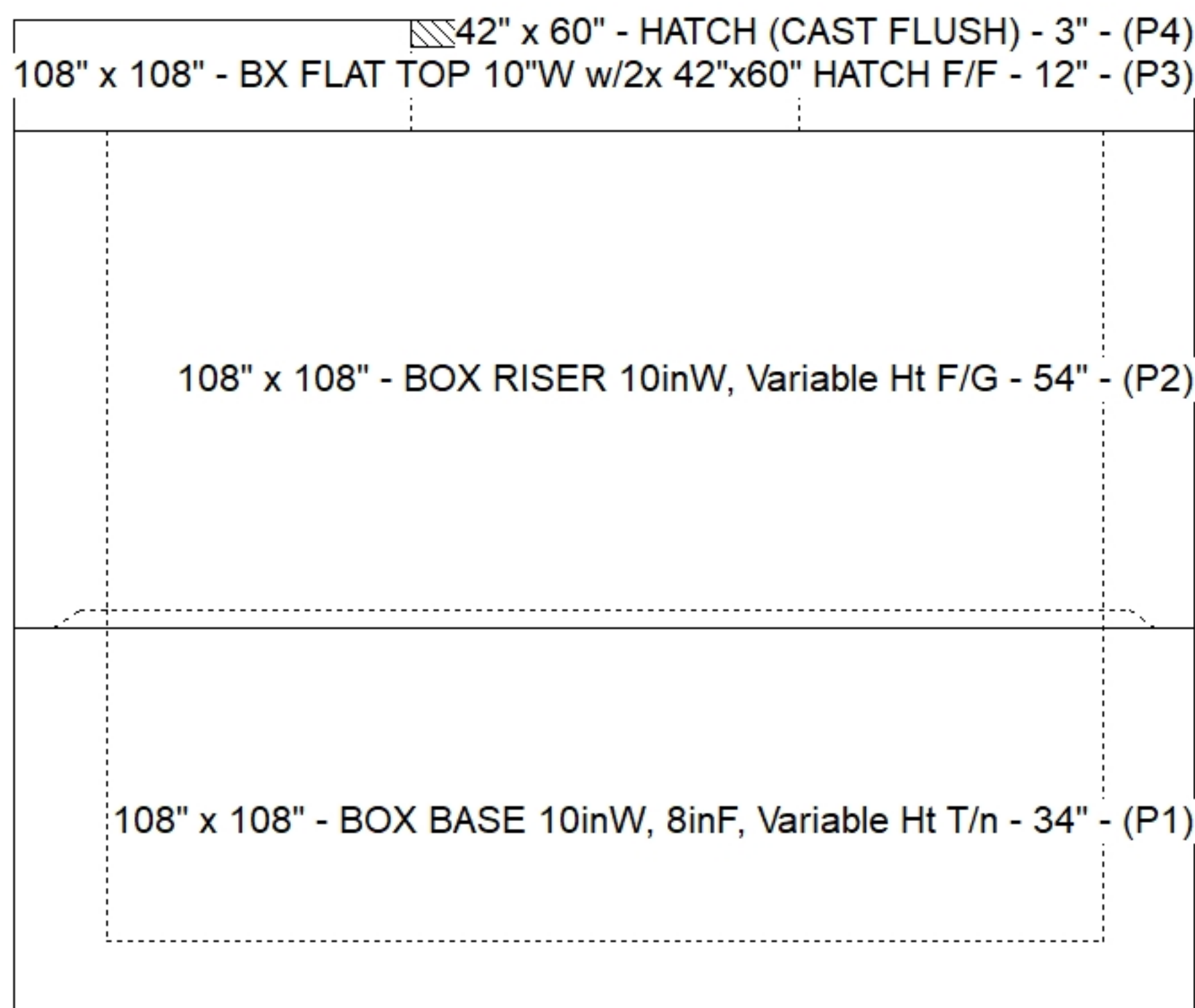
STRUCTURE SUMMARY:

P4) 42" x 60" - HATCH (CAST FLUSH) - 3"	100 lb
P3) 108" x 108" - BX FLAT TOP 10"W w/2x 42"x60" HATCH F/F - 12"	11424 lb
P2) 108" x 108" - BOX RISER 10inW, Variable Ht F/G - 54"	21387 lb
P1) 108" x 108" - BOX BASE 10inW, 8inF, Variable Ht T/n - 34"	24465 lb
2) 108" x 108" - Conseal CS-102 1.00"	0 lb
Structure Total:	57376 lb



Position	Elev	Angle	Pipe	Pipe OD	Hole	Connector	Up ()	Ref
Rim	9.04'							
Reducer								
Invert 1								
Invert 2								
Invert 3								
Invert 4								
Invert 5								
Invert 6								
Invert 7								
Invert 8								

Default - Interior Dimensions



Submittal Drawing
 3/16/2026 8:31:38 AM

SUBMITTAL
 APPROVED BY: