

**Job Name: 26-1319 822587 Caldwell Energy Building**  
**Job Location: Shelbyville, KY**  
**Contractor: Contech Engineering Solutions**

PC: T. Sekula  
 TECH: S. Felletter  
 Plant: Beaver Dam



Structure ID: **10-CS-3**  
 Spec: Storm-Pipe Centered  
 Type: STM.MH  
 Size: 36"

Rim: 706.6'  
 Invert: 704.48'  
 Rim to Invert: 2.12'

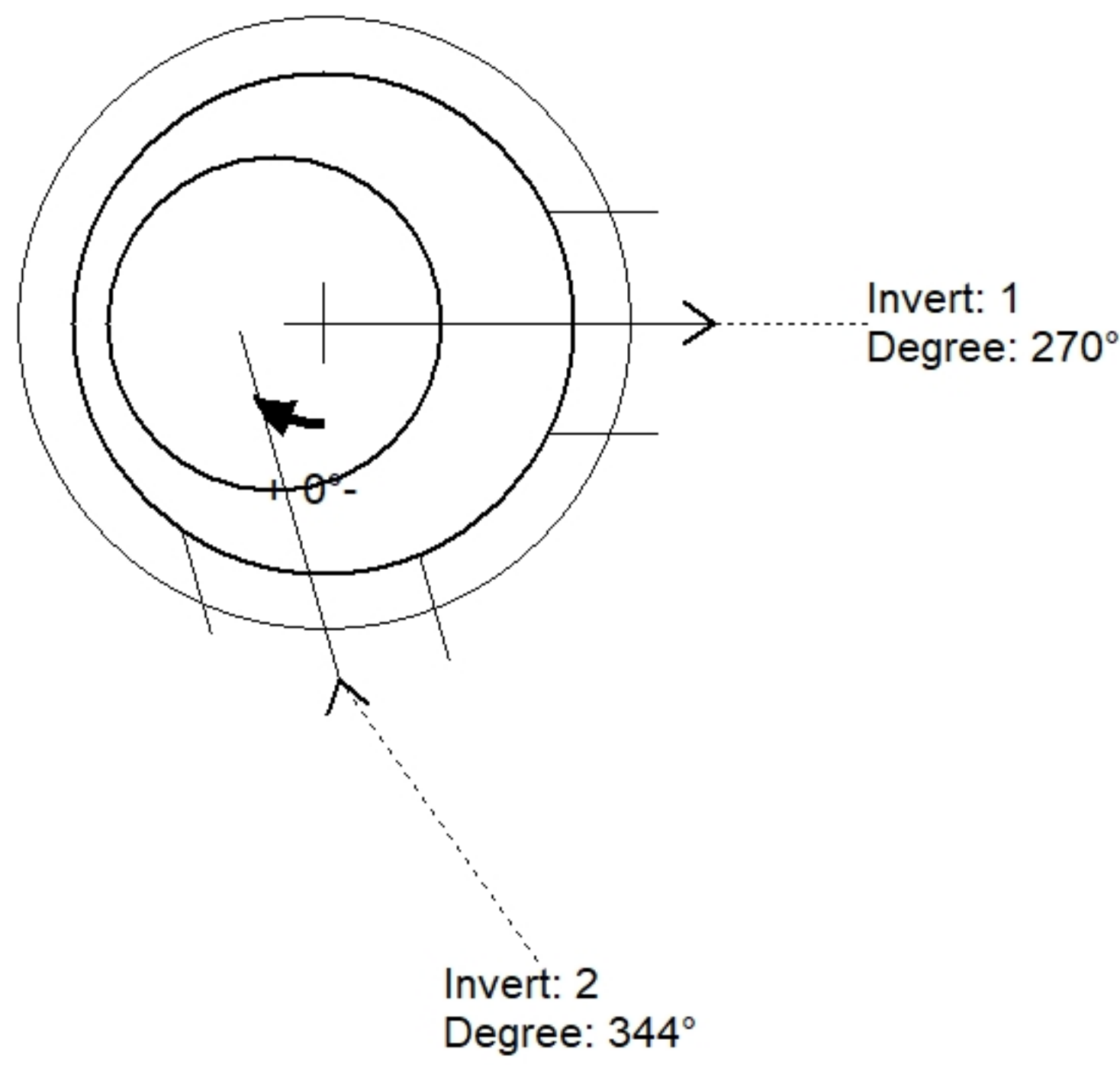
Sump: 38.04"  
 Floor (Top): 701.31'  
 Floor Height: 6"

Floor (Bot): 700.81'  
 Overall Height: 5.833'  
 Slack: -0.52"

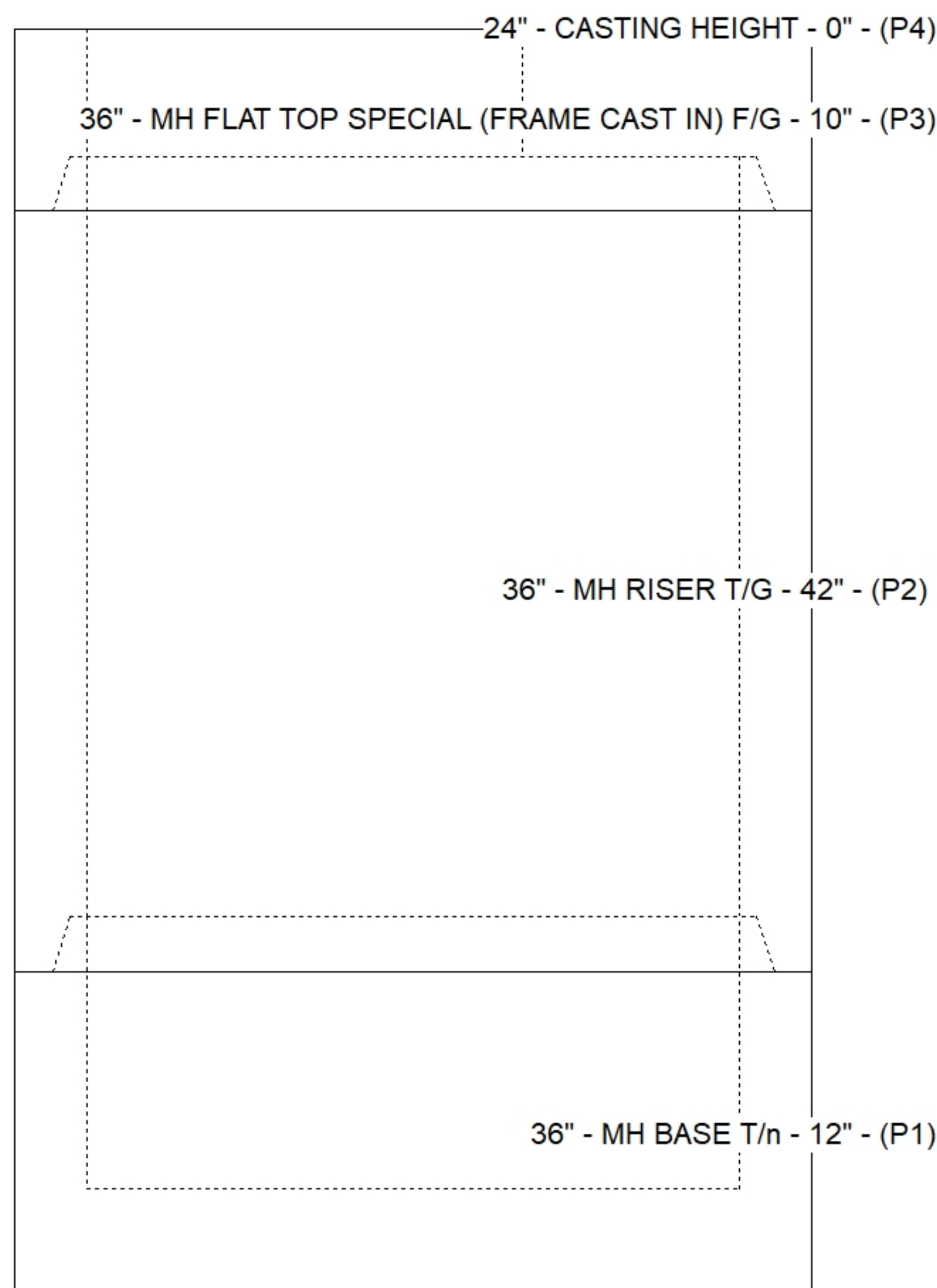
Structure Notes:  
 CASTING FRAME TO BE CAST INTO TOP SLAB  
 LIFTING ANCHORS TO BE INSTALLED ON THE OUTSIDE OF THE STRUCTURE  
 ICAST TO INSTALL THE INTERNALS  
 CONTECH'S LOGO AS WELL AS THE INLET AND OUTLET MUST BE STENCILED ONTO THE STRUCTURE

STRUCTURE SUMMARY:

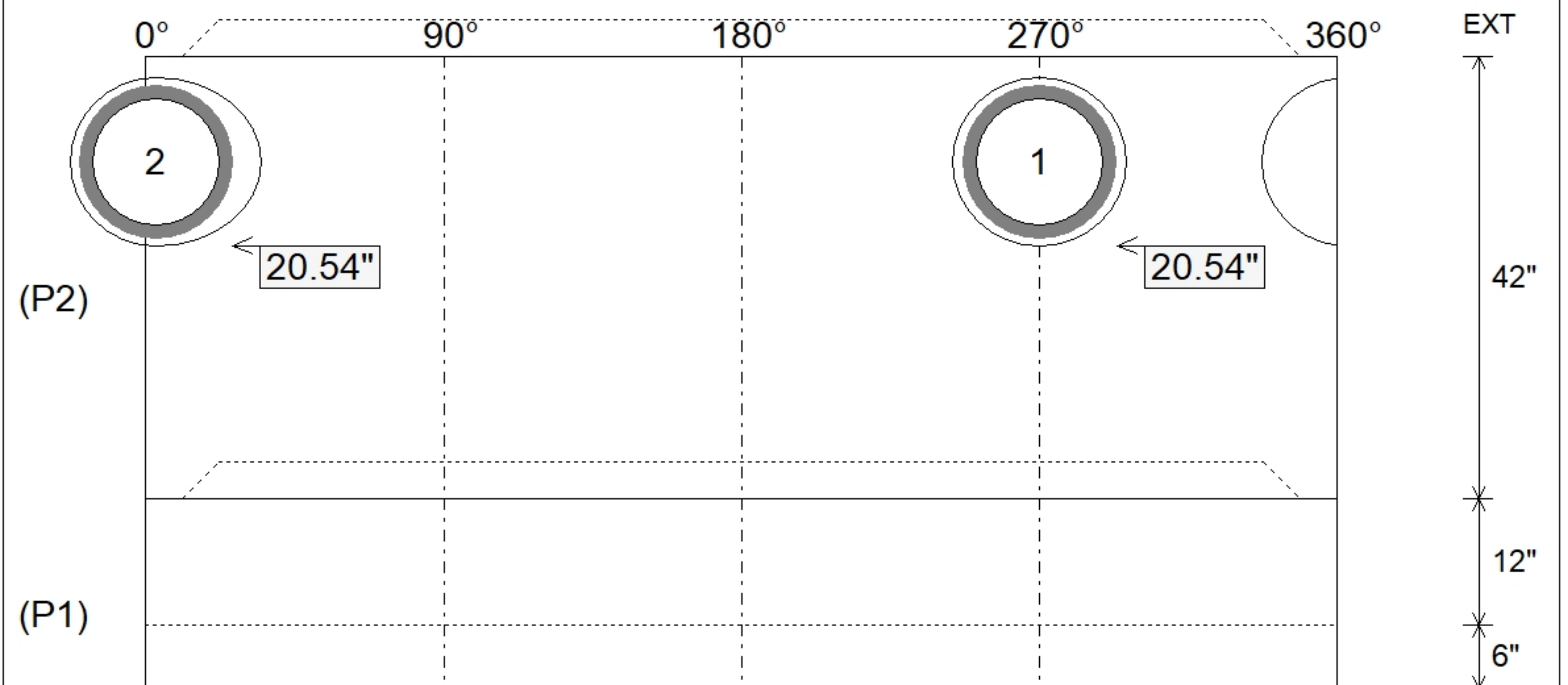
P4) 24" - CASTING HEIGHT - 0"	0 lb
P3) 36" - MH FLAT TOP SPECIAL (FRAME CAST IN) F/G - 10"	896 lb
P2) 36" - MH RISER T/G - 42"	1628 lb
P1) 36" - MH BASE T/n - 12"	1272 lb
1) CVSTENCILING	0 lb
1) ASSEMBLY REQUIRED	0 lb
1) This Structure Includes a Cast-in Item	0 lb
2) 36" - Conseal CS-102 1.00"	0 lb
2) Hole - 16	0 lb
<b>Structure Total:</b>	<b>3796 lb</b>



Position	Elev	Angle	Pipe	Pipe OD	Hole	Connector	Up (")	Ref
Rim	706.6'							
Reducer								
Invert 1	704.48'	270°	12" HDPE	14.5"	16"	Hole 16	20.54"	P2
Invert 2	704.48'	344°	12" HDPE	14.5"	16"	Hole 16	20.54"	P2
Invert 3								
Invert 4								
Invert 5								
Invert 6								
Invert 7								
Invert 8								



**Default - Interior Dimensions**



Submittal Drawing  
 2/16/2026 10:03:06 AM

SUBMITTAL  
 APPROVED BY: