

Job Name: 26-1318 - Red River Ridge
Job Location: Clarksville, TN 37040
Contractor: Byard Construction, LLC

PC: A. Chambers
 TECH: Jared - F
 Plant: 100



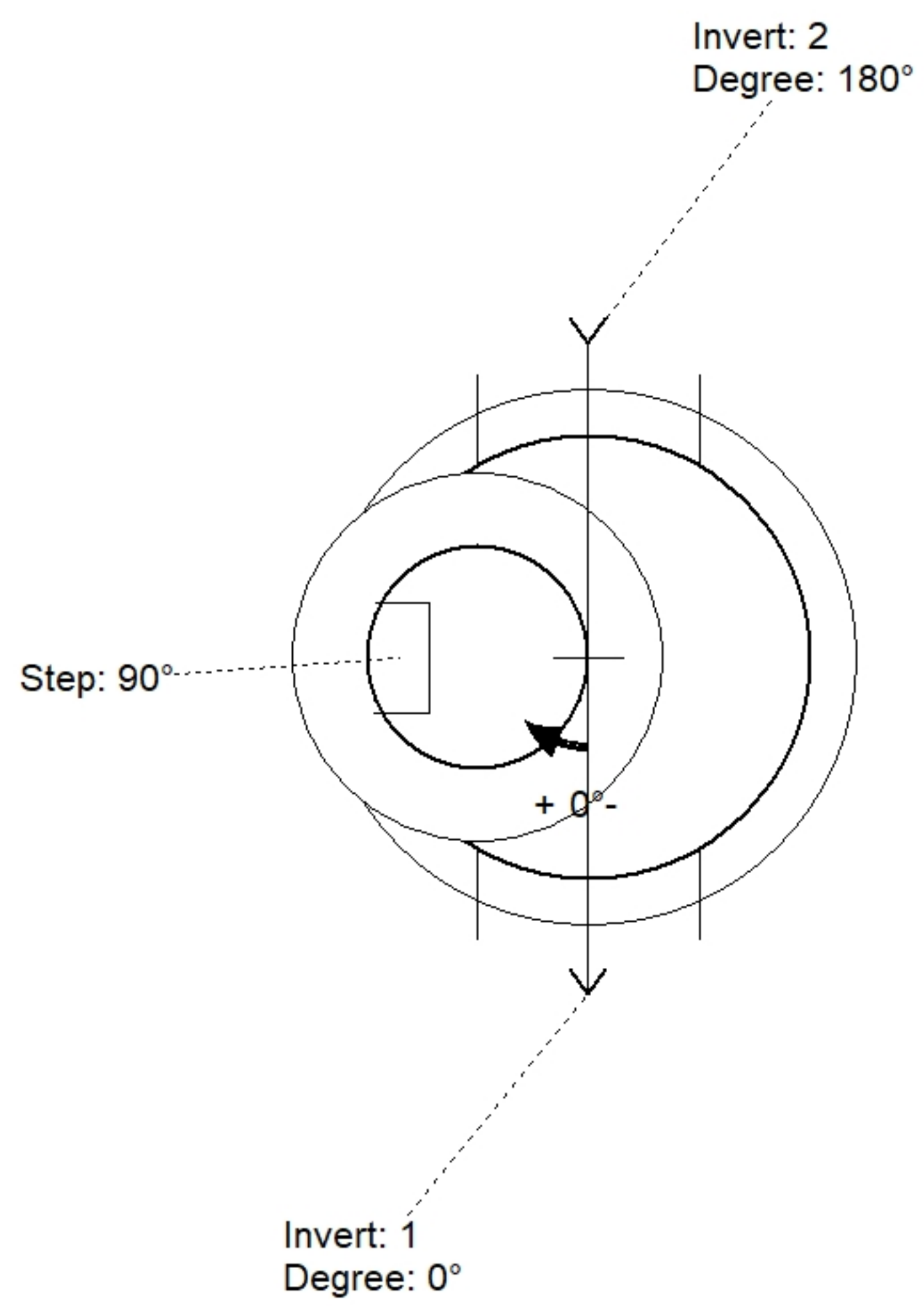
Structure ID: **G2-13 ST-JB**
 Spec: Storm Rim: 466.15' Sump: 1.6" Floor (Bot): 453.267'
 Type: STM.MH Invert: 453.9' Floor (Top): 453.767' Overall Height: 12.833'
 Size: 48" Rim to Invert: 12.25' Floor Height: 6" Slack: 0.6"

Structure Notes:

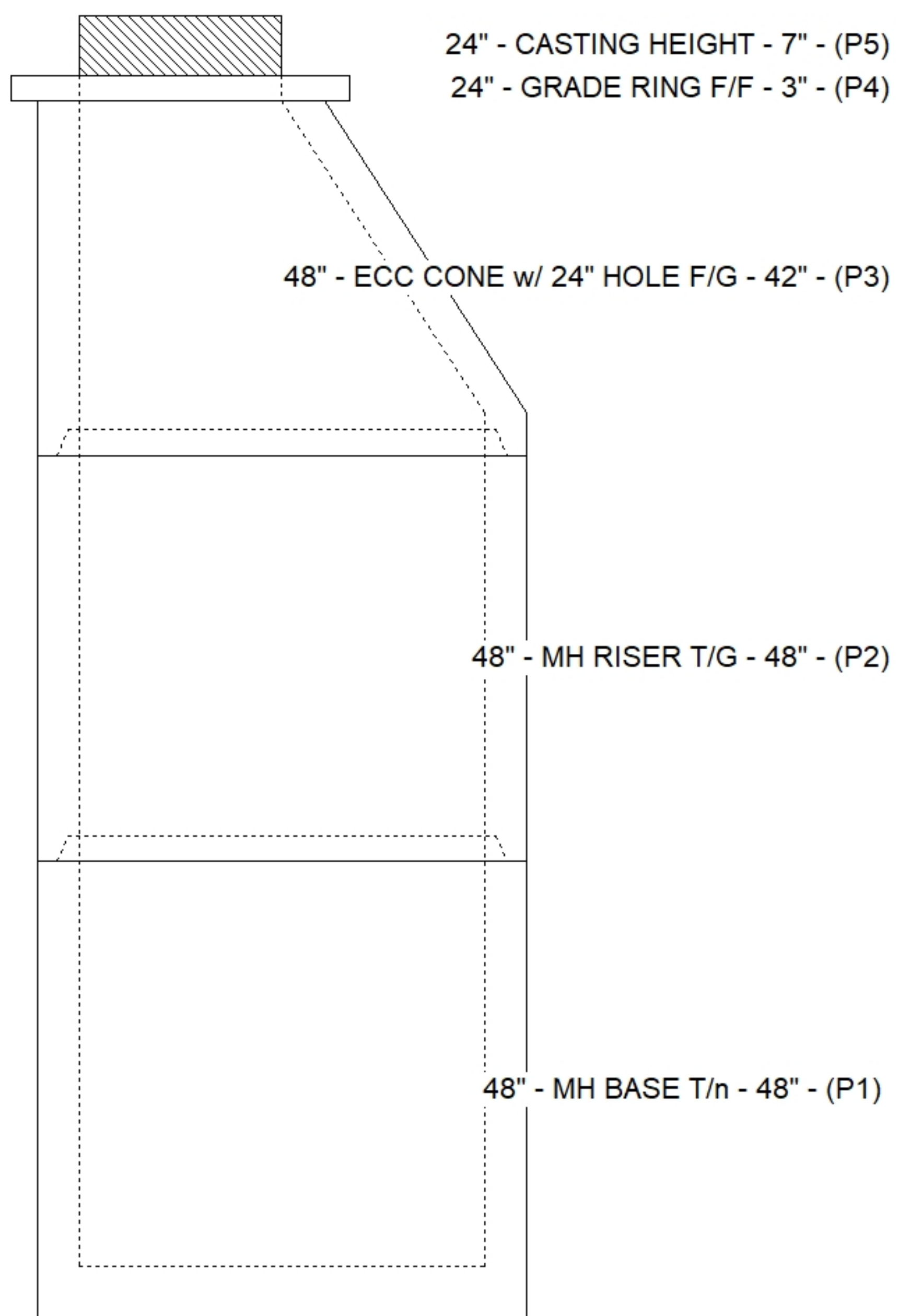
- PER ASTM C478 SPECIFICATIONS.
 - CONCRETE = 4,000 PSI AT 28 DAYS.
 - NO INVERT CHANNEL.
 - CASTING BY ICAST (JBS 1150 F/C STORM).
- REINFORCING PER ASTM A615 (GRADE 60).
 - CONE (As .12)
 - RISER/WALLS (As .12)
 - FLOOR (As .31) #5 BARS AT 12" C.C.E.W.

STRUCTURE SUMMARY:

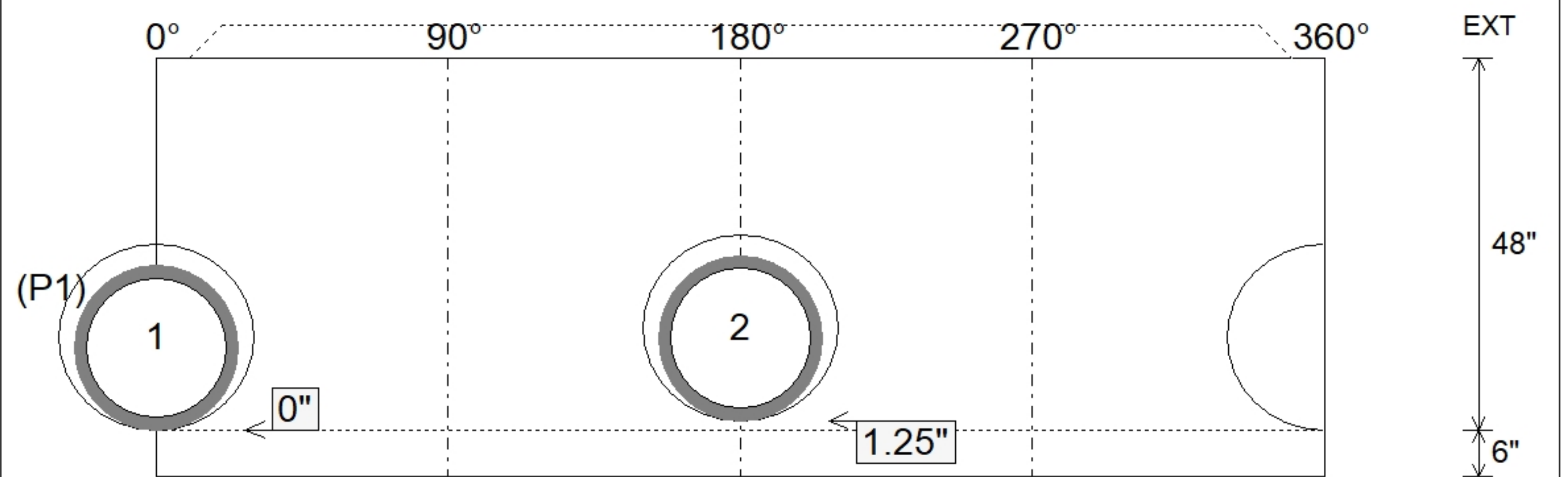
P5) 24" - CASTING HEIGHT - 7"	0 lb
P4) 24" - GRADE RING F/F - 3"	202 lb
P3) 48" - ECC CONE w/ 24" HOLE F/G - 42"	3200 lb
P2) 48" - MH RISER T/G - 48"	3353 lb
P1) 48" - MH BASE T/n - 48"	4289 lb
1) CASTING - JBS 1150 F/C STORM	250 lb
2) 48" - Conseal CS-102 1.00"	0 lb
2) Hole - 24	0 lb
12) MH Step ML-10-TDS-NCR - 10"	0 lb
Structure Total:	11295 lb



Position	Elev	Angle	Pipe	Pipe OD	Hole	Connector	Up (")	Ref
Rim	466.15'							
Reducer								
Invert 1	453.9'	0°	18" HDPE	21.2"	24"	Hole 24	0"	P1
Invert 2	454'	180°	18" HDPE	21.2"	24"	Hole 24	1.25"	P1
Invert 3								
Invert 4								
Invert 5								
Invert 6								
Invert 7								
Invert 8								



Cast (Int. Dim.) - Interior Dimensions



Submittal Drawing
 4/14/2026 8:12:28 AM

SUBMITTAL
 APPROVED BY: