

Job Name: 26-1318 - Red River Ridge
 Job Location: Clarksville, TN 37040
 Contractor: Byard Construction, LLC

Plant: 100
 4/13/2026 1:40:32 PM

Tech: Jared - F
 PC: A. Chambers

Structure ID: G2-13 ST-JB

P3 MH048CN42

ECC CONE w/ 24" HOLE F/G

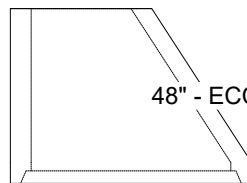
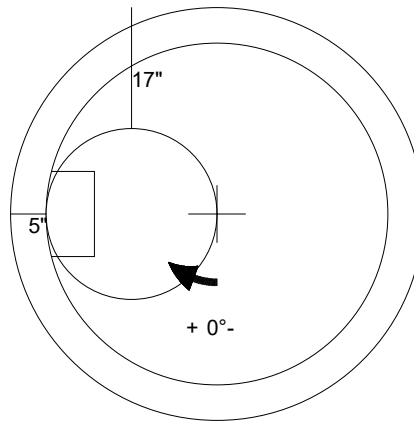
- P5) 24" - CASTING HEIGHT - 7"
- P4) 24" - GRADE RING F/F - 3"
- P3) 48" - ECC CONE w/ 24" HOLE F/G - 42"
- P2) 48" - MH RISER T/G - 48"
- P1) 48" - MH BASE T/h - 48"
- 1) CASTING - JBS 1150 F/C STORM
- 2) 48" - Conseal CS-102 1.00"
- 2) Hole - 24
- 12) MH Step ML-10-TDS-NCR - 10"

0 lb
 202 lb
 3200 lb
 3353 lb
 4289 lb
 250 lb
 0 lb
 0 lb
 0 lb

 Structure Total: 11295 lb

Structure Notes:
 1. PER ASTM C478 SPECIFICATIONS.
 2. CONCRETE = 4,000 PSI AT 28 DAYS.
 3. NO INVERT CHANNEL.
 4. CASTING BY ICAST (JBS 1150 F/C STORM).

 REINFORCING PER ASTM A615 (GRADE 60).
 - CONE (As .12)
 - RISER/WALLS (As .12)
 - FLOOR (As .31) #5 BARS AT 12" C.C.E.W.



48" - ECC CONE w/ 24" HOLE F/G - 42" - (P3)

Coating (Int):
 Coating (Ext):

Seam Up: Flat
 Seam Dn: Groove

Wall Thickness: 5"

Height (Ext): 42"

Weight (Net): 3200 lb
 Volume (Net): 0.5cu.yd