

Job Name: 26-1318 - Red River Ridge
Job Location: Clarksville, TN 37040
Contractor: Byard Construction, LLC

PC: A. Chambers
 TECH: Jared - F
 Plant: 100



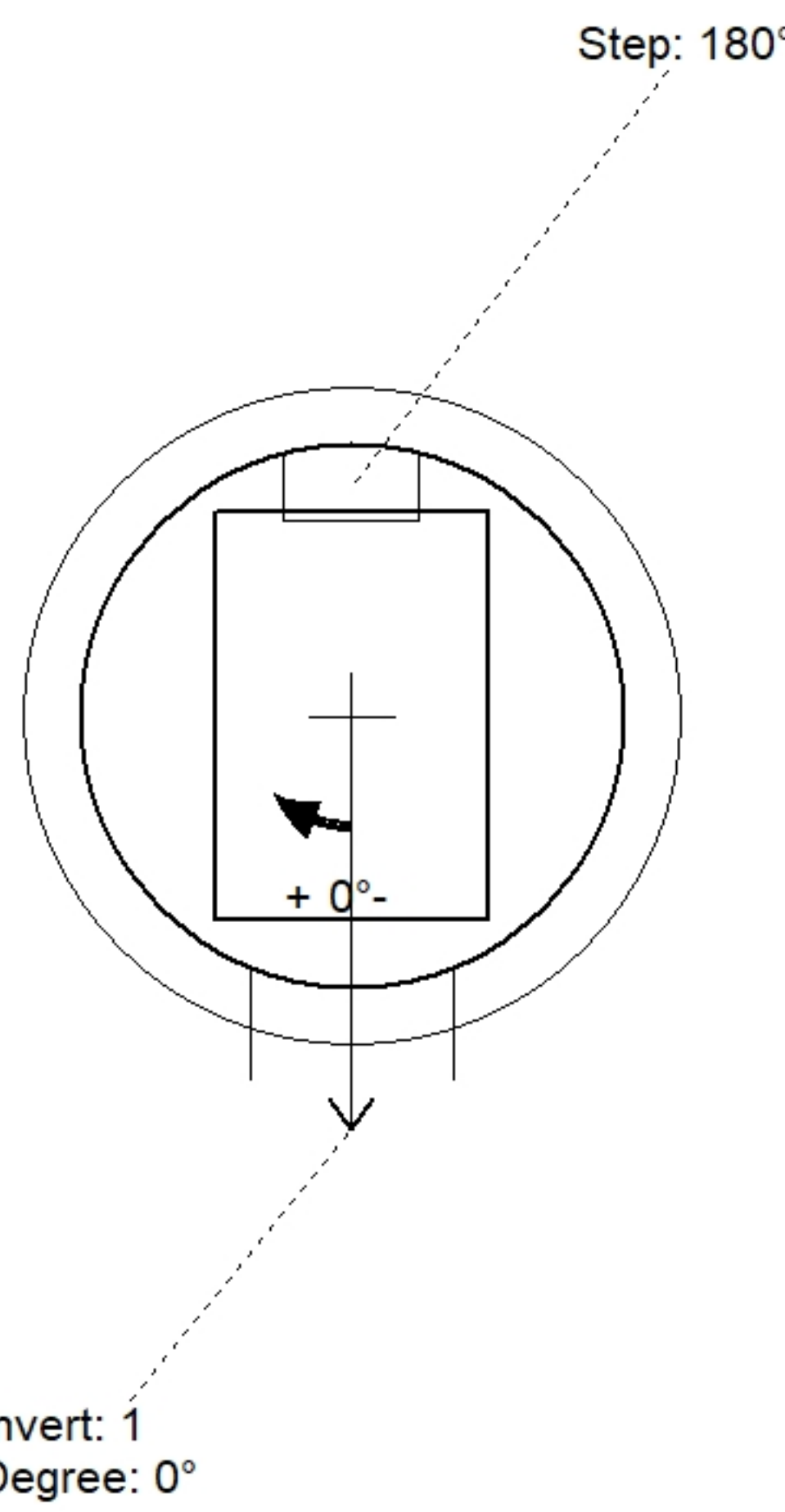
Structure ID: **F9-10 ST-CI**
 Spec: Storm Rim: 462.9'
 Type: STM.MH Invert: 458'
 Size: 48" Sump: 0.5"
 Rim to Invert: 4.9' Floor (Top): 457.958'
 Floor Height: 6" Floor (Bot): 457.458'
 Overall Height: 5.375'
 Slack: 0.8"

Structure Notes:
 1. PER ASTM C478 SPECIFICATIONS.
 2. CONCRETE = 4,000 PSI AT 28 DAYS.
 3. NO INVERT CHANNEL.
 4. CASTING BY ICAST (JBS 3080 SINGLE SET (F/G/H)).

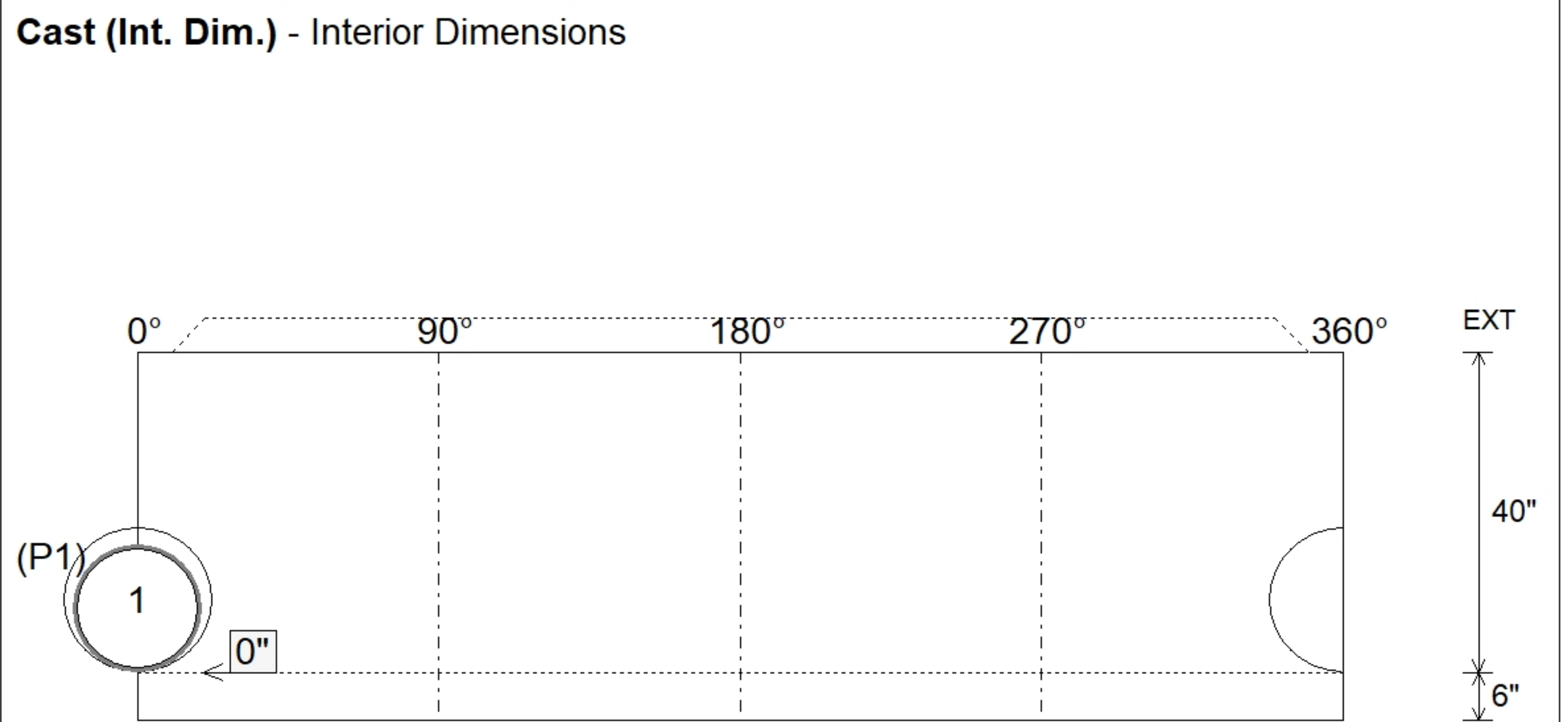
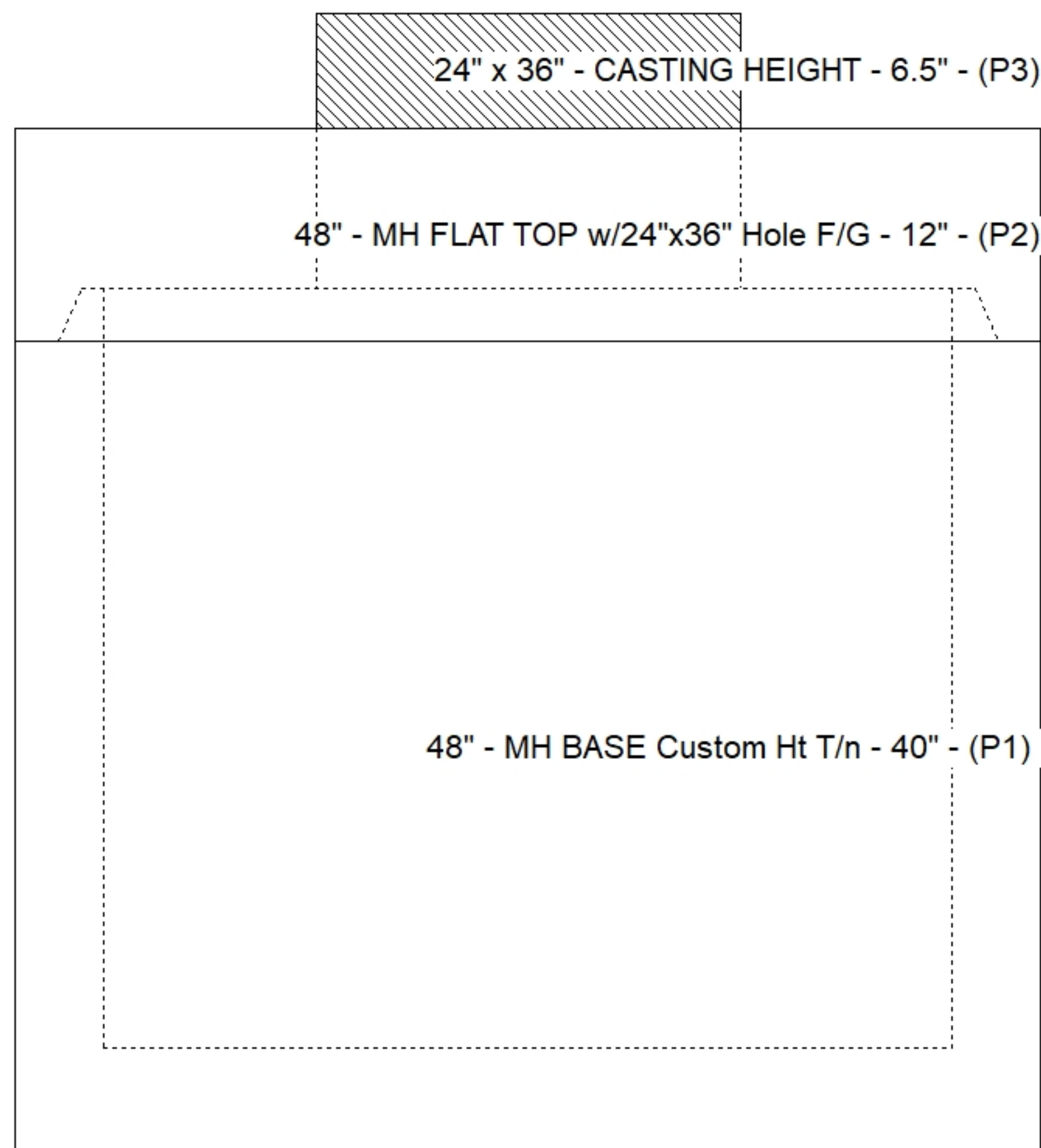
REINFORCING PER ASTM A615 (GRADE 60).
 - TOP SLAB (As .62) #5 BARS AT 6" C.C.E.W..
 - RISER/WALLS (As .12)
 - FLOOR (As .31) #5 BARS AT 12" C.C.E.W.

STRUCTURE SUMMARY:

P3) 24" x 36" - CASTING HEIGHT - 6.5"	0 lb
P2) 48" - MH FLAT TOP w/24"x36" Hole F/G - 12"	1300 lb
P1) 48" - MH BASE Custom Ht T/n - 40"	4016 lb
1) CASTING - JBS 3080 SET (F/G/H)	500 lb
1) 48" - Conseal CS-102 1.00"	0 lb
1) 24" x 36" - Conseal CS-102 1.00"	0 lb
1) Hole - 18	0 lb
3) MH Step ML-10-TDS-NCR - 10"	0 lb
Structure Total:	5816 lb



Position	Elev	Angle	Pipe	Pipe OD	Hole	Connector	Up ()	Ref
Rim	462.9'							
Reducer								
Invert 1	458'	0°	15" CMP	16"	18"	Hole 18	0"	P1
Invert 2								
Invert 3								
Invert 4								
Invert 5								
Invert 6								
Invert 7								
Invert 8								



Submittal Drawing
 4/14/2026 8:12:27 AM

SUBMITTAL
 APPROVED BY: