

Job Name: 26-1318 - Red River Ridge  
 Job Location: Clarksville, TN 37040  
 Contractor: Byard Construction, LLC

Plant: 100  
 4/13/2026 1:40:32 PM

Tech: Jared - F  
 PC: A. Chambers

**Structure ID: F9-10 ST-CI**

**P2 MH048LD12-24X36RECT**

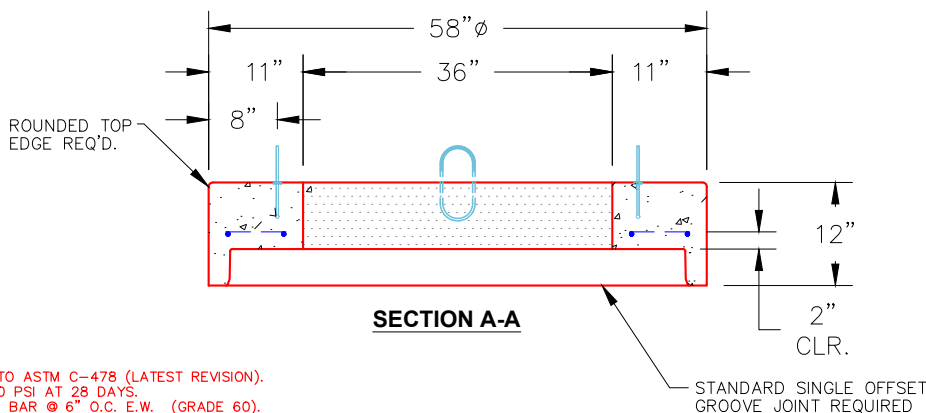
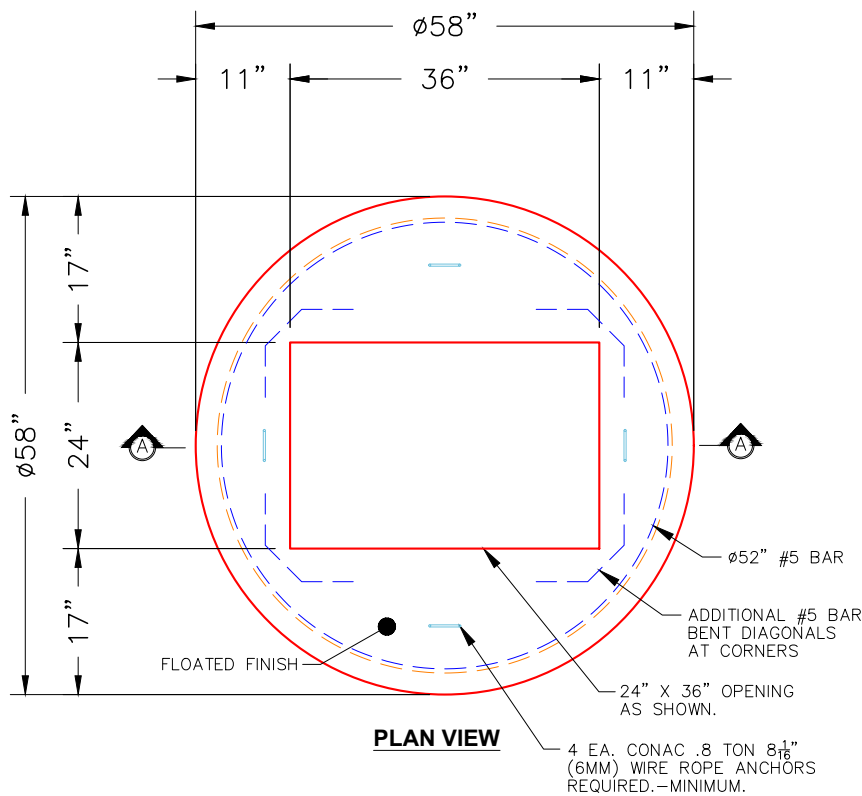
**MH FLAT TOP w/24"x36" Hole F/G**

- P3) 24" x 36" - CASTING HEIGHT - 6.5"
- P2) 48" - MH FLAT TOP w/24"x36" Hole F/G - 12"
- P1) 48" - MH BASE Custom Ht T/n - 40"
- 1) CASTING - JBS 3080 SET (F/G/H)
- 1) 48" - Conseal CS-102 1.00"
- 1) 24" x 36" - Conseal CS-102 1.00"
- 1) Hole - 18"
- 3) MH Step ML-10-TDS-NCR - 10"

0 lb  
 1300 lb  
 4016 lb  
 500 lb  
 0 lb  
 0 lb  
 0 lb  
 0 lb  
 0 lb  
 Structure Total: 5816 lb

**Structure Notes:**  
 1. PER ASTM C478 SPECIFICATIONS.  
 2. CONCRETE = 4,000 PSI AT 28 DAYS.  
 3. NO INVERT CHANNEL.  
 4. CASTING BY ICAST (JBS 3080 SINGLE SET (F/G/H)).

REINFORCING PER ASTM A615 (GRADE 60).  
 - TOP SLAB (As .62) #5 BARS AT 6" C.C.E.W..  
 - RISER/WALLS (As .12)  
 - FLOOR (As .31) #5 BARS AT 12" C.C.E.W.



**NOTES:**

- 1. MANUFACTURED TO ASTM C-478 (LATEST REVISION).
- 2. CONCRETE: 4,000 PSI AT 28 DAYS.
- 3. REINFORCING: #5 BAR @ 6" O.C. E.W. (GRADE 60).

Coating (Int):  
 Coating (Ext):

Seam Up: Flat  
 Seam Dn: Groove

Wall Thickness: 5"

Height (Ext): 12"

Weight (Net): 1300 lb  
 Volume (Net): 0.46cu.yd