

Job Name: 26-1318 - Red River Ridge
Job Location: Clarksville, TN 37040
Contractor: Byard Construction, LLC

PC: A. Chambers
 TECH: Jared - F
 Plant: 100



Structure ID: F7-8 ST-CI

Spec: Storm
 Type: STM.MH
 Size: 48"

Rim: 467.5'
 Invert: 462.1'
 Rim to Invert: 5.4'

Sump: 0.5"
 Floor (Top): 462.058'
 Floor Height: 6"

Floor (Bot): 461.558'
 Overall Height: 5.875'
 Slack: 0.8"

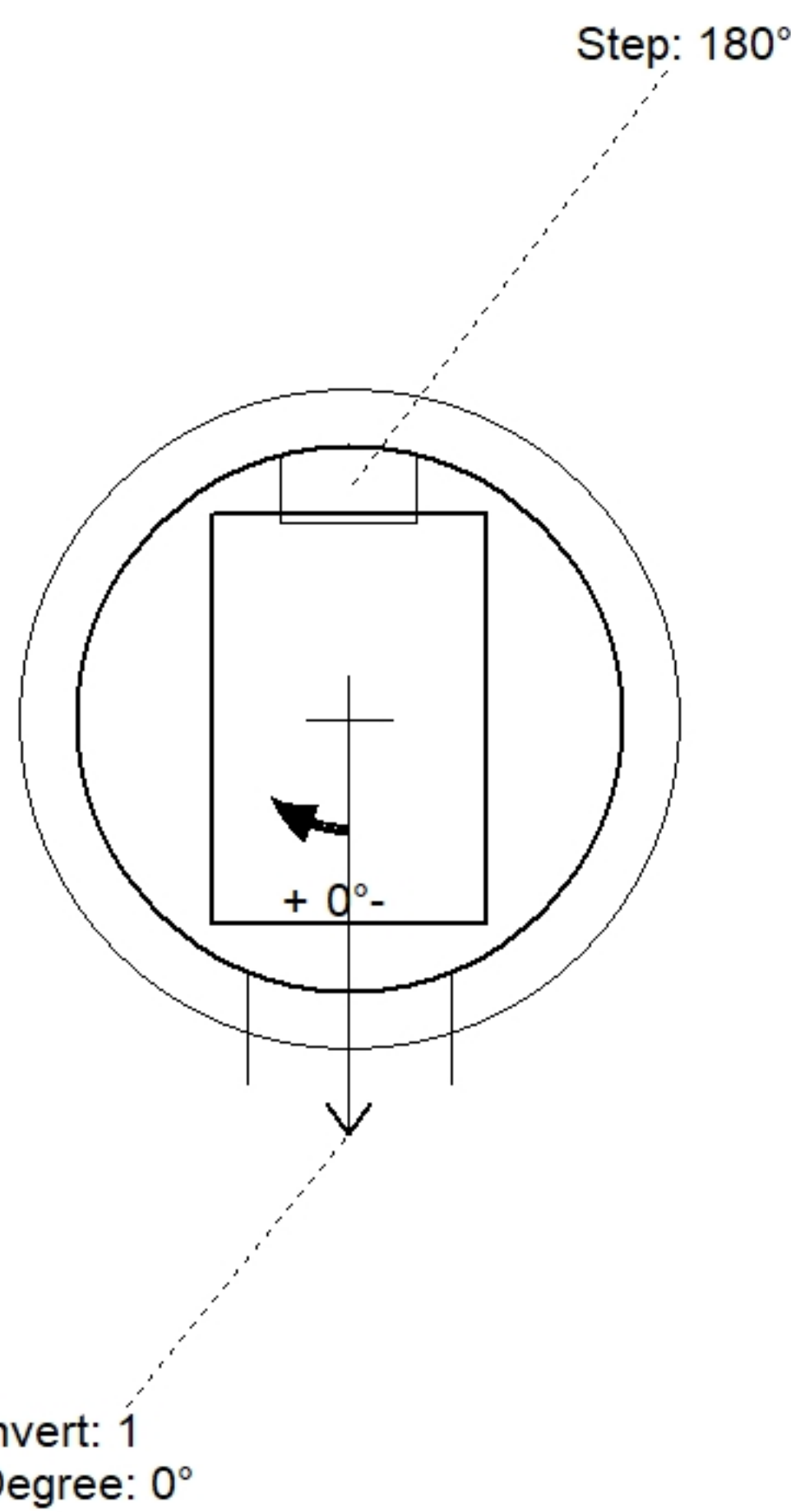
Structure Notes:

1. PER ASTM C478 SPECIFICATIONS.
2. CONCRETE = 4,000 PSI AT 28 DAYS.
3. NO INVERT CHANNEL.
4. CASTING BY ICAST (JBS 3080 SINGLE SET (F/G/H)).

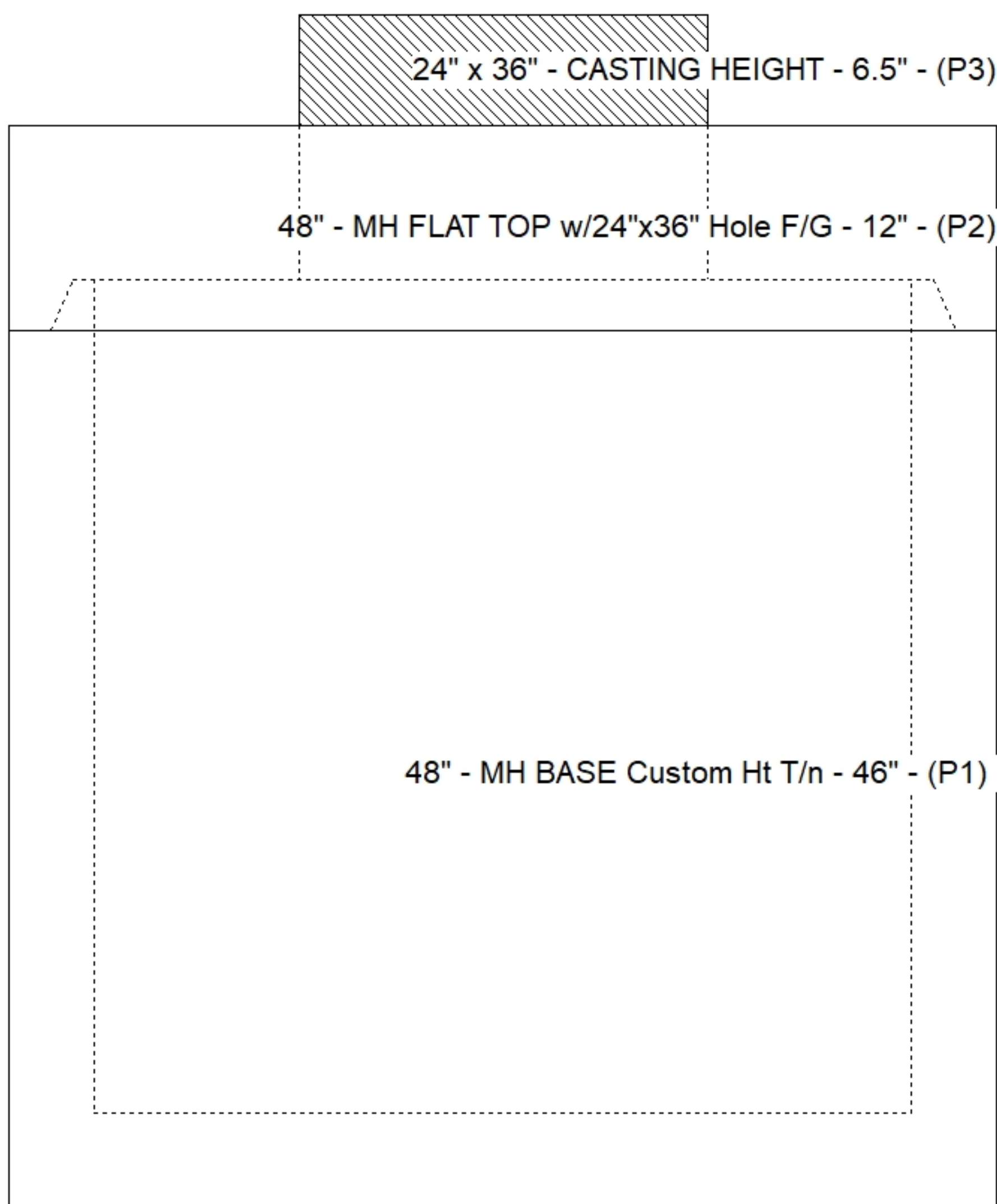
REINFORCING PER ASTM A615 (GRADE 60).
 - TOP SLAB (As .62) #5 BARS AT 6" C.C.E.W..
 - RISER/WALLS (As .12)
 - FLOOR (As .31) #5 BARS AT 12" C.C.E.W.

STRUCTURE SUMMARY:

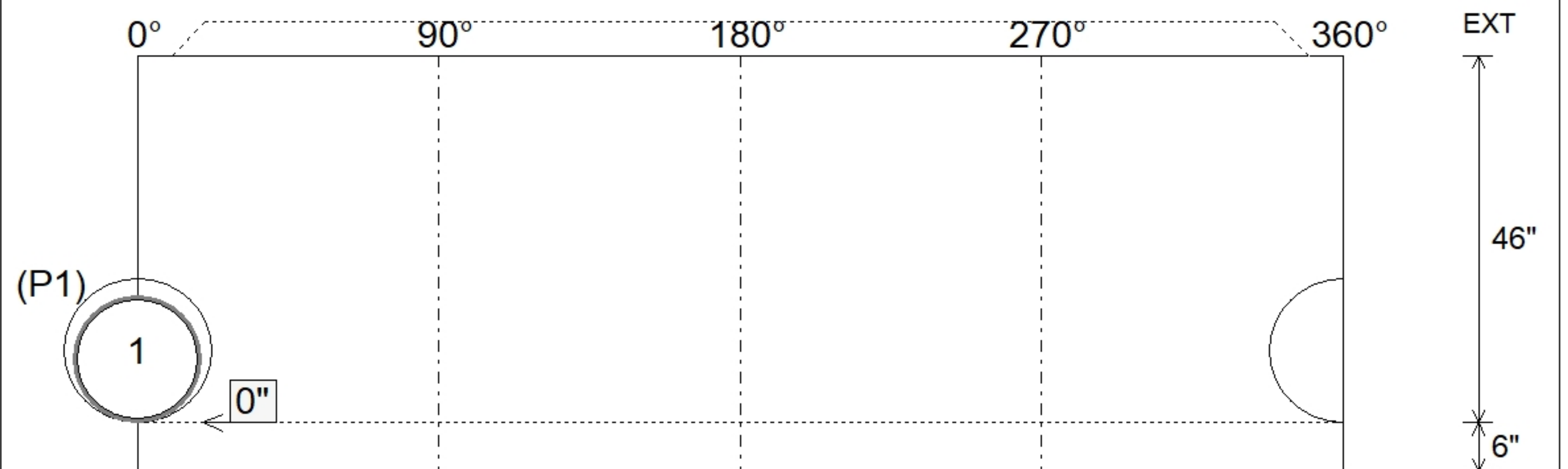
P3) 24" x 36" - CASTING HEIGHT - 6.5"	0 lb
P2) 48" - MH FLAT TOP w/24"x36" Hole F/G - 12"	1300 lb
P1) 48" - MH BASE Custom Ht T/n - 46"	4435 lb
1) CASTING - JBS 3080 SET (F/G/H)	500 lb
1) 48" - Conseal CS-102 1.00"	0 lb
1) 24" x 36" - Conseal CS-102 1.00"	0 lb
1) Hole - 18	0 lb
4) MH Step ML-10-TDS-NCR - 10"	0 lb
Structure Total:	6235 lb



Position	Elev	Angle	Pipe	Pipe OD	Hole	Connector	Up ()	Ref
Rim	467.5'							
Reducer								
Invert 1	462.1'	0°	15" CMP	16"	18"	Hole 18	0"	P1
Invert 2								
Invert 3								
Invert 4								
Invert 5								
Invert 6								
Invert 7								
Invert 8								



Cast (Int. Dim.) - Interior Dimensions



Submittal Drawing
 4/14/2026 8:12:26 AM

SUBMITTAL
 APPROVED BY: