

**Job Name: 26-1318 - Red River Ridge**  
**Job Location: Clarksville, TN 37040**  
**Contractor: Byard Construction, LLC**

PC: A. Chambers  
 TECH: Jared - F  
 Plant: 100



Structure ID: F3-4 ST-CB

Spec: Storm  
 Type: BX 6inW, 6inF  
 Size: 28" x 28"

Rim: 471.5'  
 Invert: 468.5'  
 Rim to Invert: 3'

Sump: 1.625"  
 Floor (Top): 468.365'  
 Floor Height: 6"

Floor (Bot): 467.865'  
 Overall Height: 3.583'  
 Slack: 0.625"

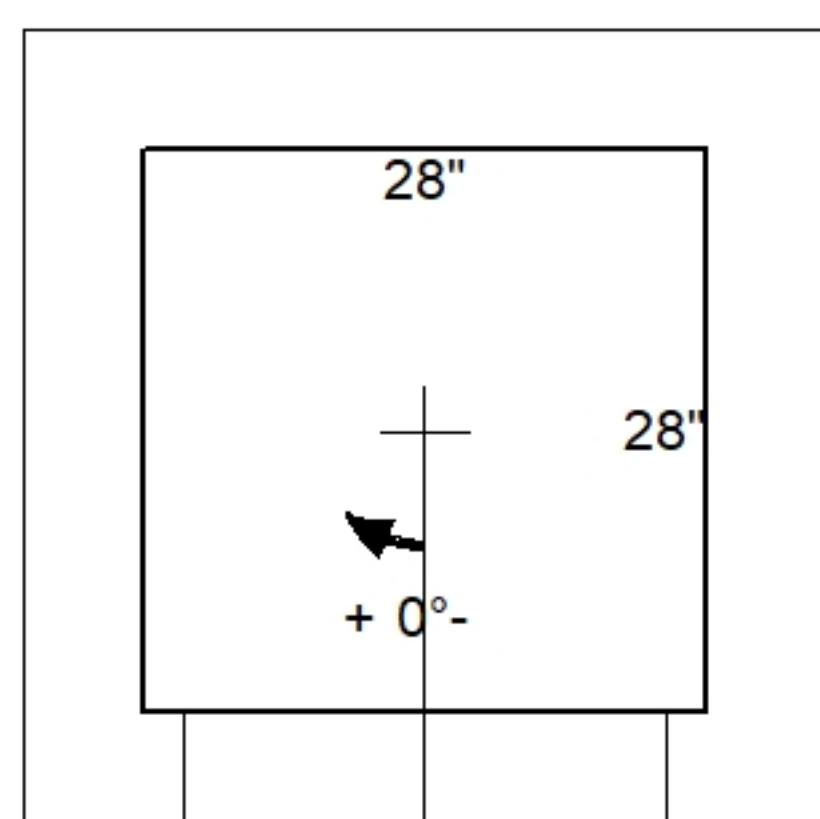
Structure Notes:

1. PER ASTM C913 SPECIFICATIONS.
2. CONCRETE = 4,000 PSI AT 28 DAYS.
3. NO STEPS AND NO INVERT CHANNEL.
4. CASTING BY ICAST (JBS 4300 F/G)

REINFORCING PER ASTM A615 (GRADE 60).  
 - WALLS (As .31) #5 BARS AT 12" C.C.E.W.  
 - FLOOR (As .31) #5 BARS AT 12" C.C.E.W.

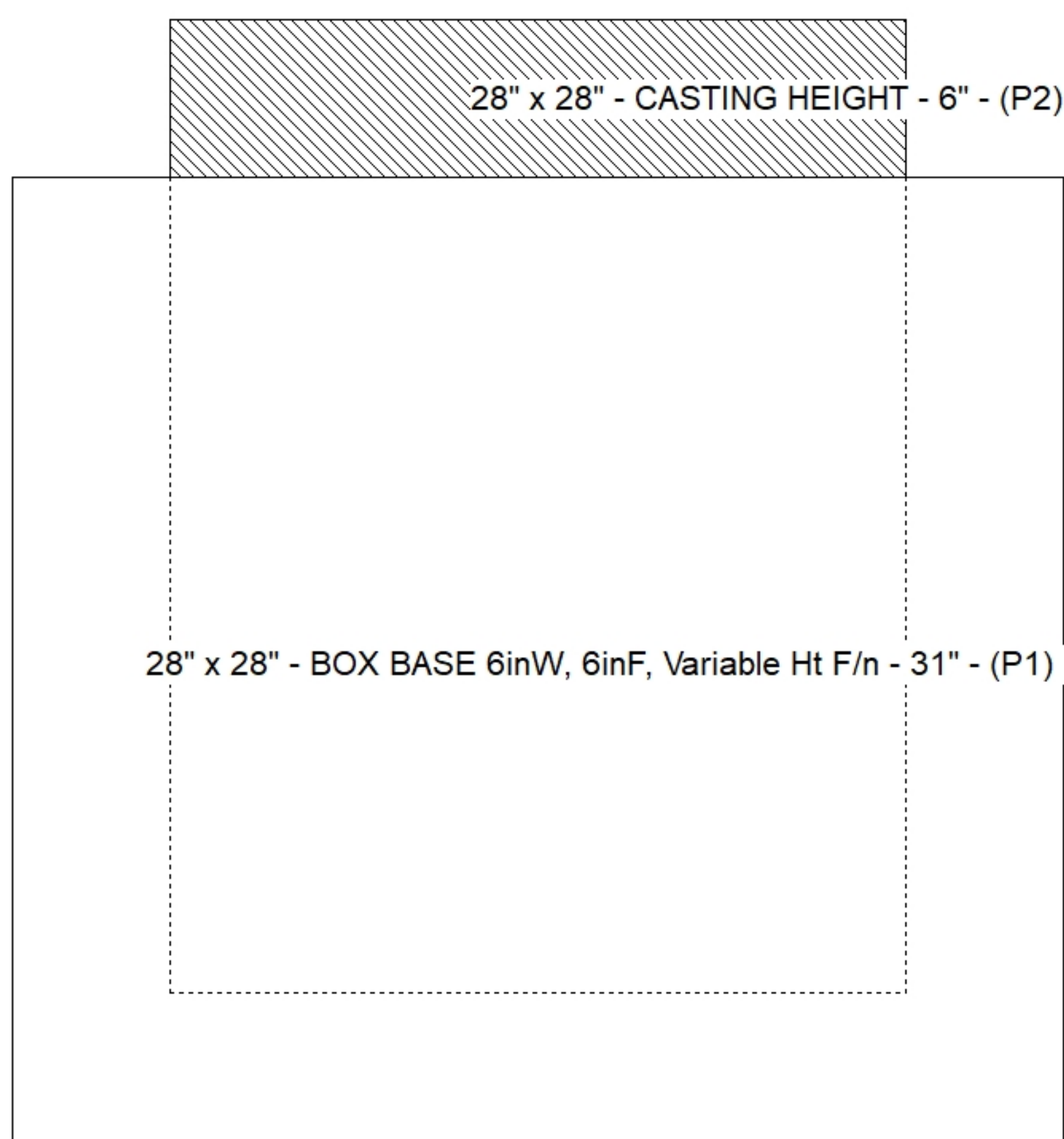
STRUCTURE SUMMARY:

P2) 28" x 28" - CASTING HEIGHT - 6"	0 lb
P1) 28" x 28" - BOX BASE 6inW, 6inF, Variable Ht F/n - 31"	2700 lb
1) CASTING - JBS 4300 F/G	500 lb
1) 28" x 28" - Conseal CS-102 1.00"	0 lb
1) Hole - 24	0 lb
	-----
Structure Total:	3200 lb



Invert: 1  
 Degree: 0°

Position	Elev	Angle	Pipe	Pipe OD	Hole	Connector	Up ( )	Ref
Rim	471.5'							
Reducer								
Invert 1	468.5'	0°	18" HDPE	21.2"	24"	Hole 24	0"	P1
Invert 2								
Invert 3								
Invert 4								
Invert 5								
Invert 6								
Invert 7								
Invert 8								



**Cast (Int. Dim.) - Interior Dimensions**



Submittal Drawing  
 4/14/2026 8:12:25 AM

SUBMITTAL  
 APPROVED BY: