

Job Name: 26-1318 - Red River Ridge  
 Job Location: Clarksville, TN 37040  
 Contractor: Byard Construction, LLC

Plant: 100  
 4/13/2026 1:39:40 PM

Tech: Jared - F  
 PC: A. Chambers



**Structure ID: F2-3 ST-CI**

**P1 MH048BAVF**

**MH BASE Custom Ht T/n**

- P3) 24" x 36" - CASTING HEIGHT - 6.5"
- P2) 48" - MH FLAT TOP w/24"x36" Hole F/G - 12"
- P1) 48" - MH BASE Custom Ht T/n - 43"
- 1) CASTING - JBS 3080 SET (F/G/H)
- 1) 48" - Conseal CS-102 1.00"
- 1) 24" x 36" - Conseal CS-102 1.00"
- 1) Hole - 22
- 1) Hole - 18
- 4) MH Step ML-10-TDS-NCR - 10"

0 lb  
 1300 lb  
 4061 lb  
 500 lb  
 0 lb  
 0 lb  
 0 lb  
 0 lb  
 0 lb  
 0 lb  
 0 lb  
 Structure Total: 5861 lb

**Structure Notes:**  
 1. PER ASTM C478 SPECIFICATIONS.  
 2. CONCRETE = 4,000 PSI AT 28 DAYS.  
 3. NO INVERT CHANNEL.  
 4. CASTING BY ICAST (JBS 3080 SINGLE SET (F/G/H)).

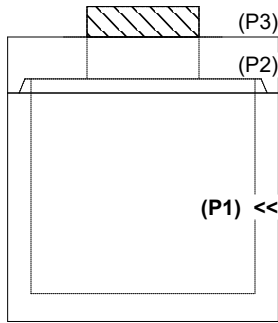
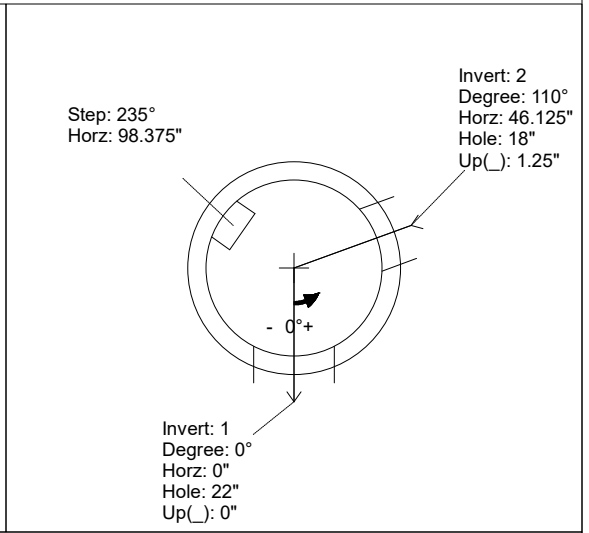
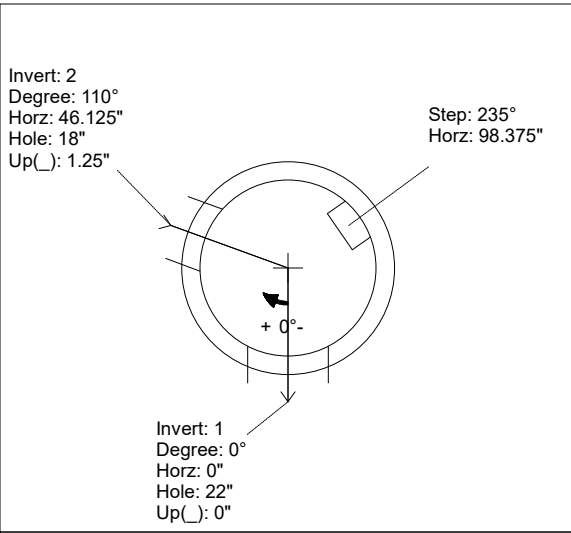
REINFORCING PER ASTM A615 (GRADE 60).  
 - TOP SLAB (As .62) #5 BARS AT 6" C.C.E.W..  
 - RISER/WALLS (As .12)  
 - FLOOR (As .31) #5 BARS AT 12" C.C.E.W.

Rim: 472.4' Rim to Invert: 5.13' Slack: 0.56" Sump: 0.5" Step Position: 235°

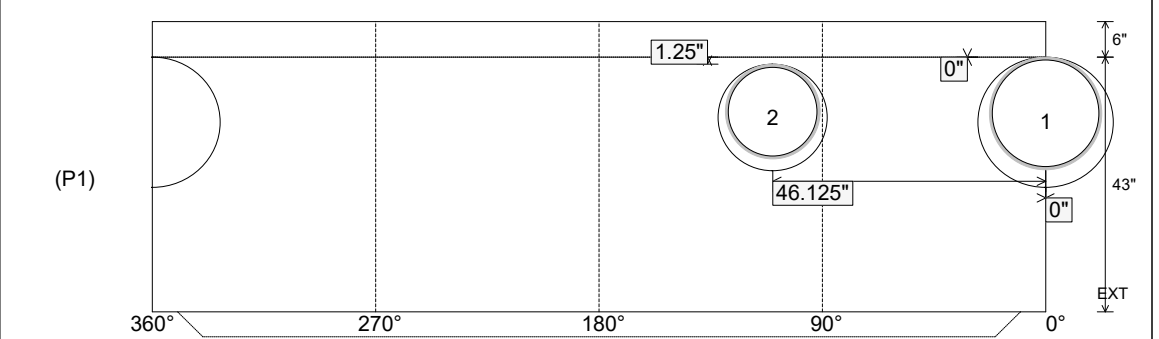
Position	Elev	Angle	Ext. (cw)	Pipe	Pipe OD	Connector	Hole	Horz Size	Up (↓)	Offset
Invert 1	467.27'	0°	0"	18" CMP	19"	Hole 22	22"	22.854"	0"	0"
Invert 2	467.37'	110°	55.625"	15" CMP	16"	Hole 18	18"	18.451"	1.25"	0"
Invert 3										
Invert 4										
Invert 5										
Invert 6										
Invert 7										
Invert 8										

RIGHT-SIDE UP VIEW (int. dimensions)

UPSIDE-DOWN VIEW (int. dimensions)



INSIDE WALL DIMENSIONS



Coating (Int): Coating (Ext):	Seam Up: Tongue Seam Dn: n/a	Wall Thickness: 5" Floor Height: 6"	Height (Int): 43" Height (Ext): 49"	Weight (Net): 4061 lb Volume (Net): 1.04cu.yd
----------------------------------	---------------------------------	--	--	--