

**Job Name: 26-1318 - Red River Ridge**  
**Job Location: Clarksville, TN 37040**  
**Contractor: Byard Construction, LLC**

PC: A. Chambers  
 TECH: Jared - F  
 Plant: 100



Structure ID: F1-2 ST-DCI  
 Spec: Storm  
 Type: BX 6inW, 6inF  
 Size: 28" x 64"

Rim: 472'  
 Invert: 467.7'  
 Rim to Invert: 4.3'

Sump: 0.5"  
 Floor (Top): 467.658'  
 Floor Height: 6"

Floor (Bot): 467.158'  
 Overall Height: 4.792'  
 Slack: 0.6"

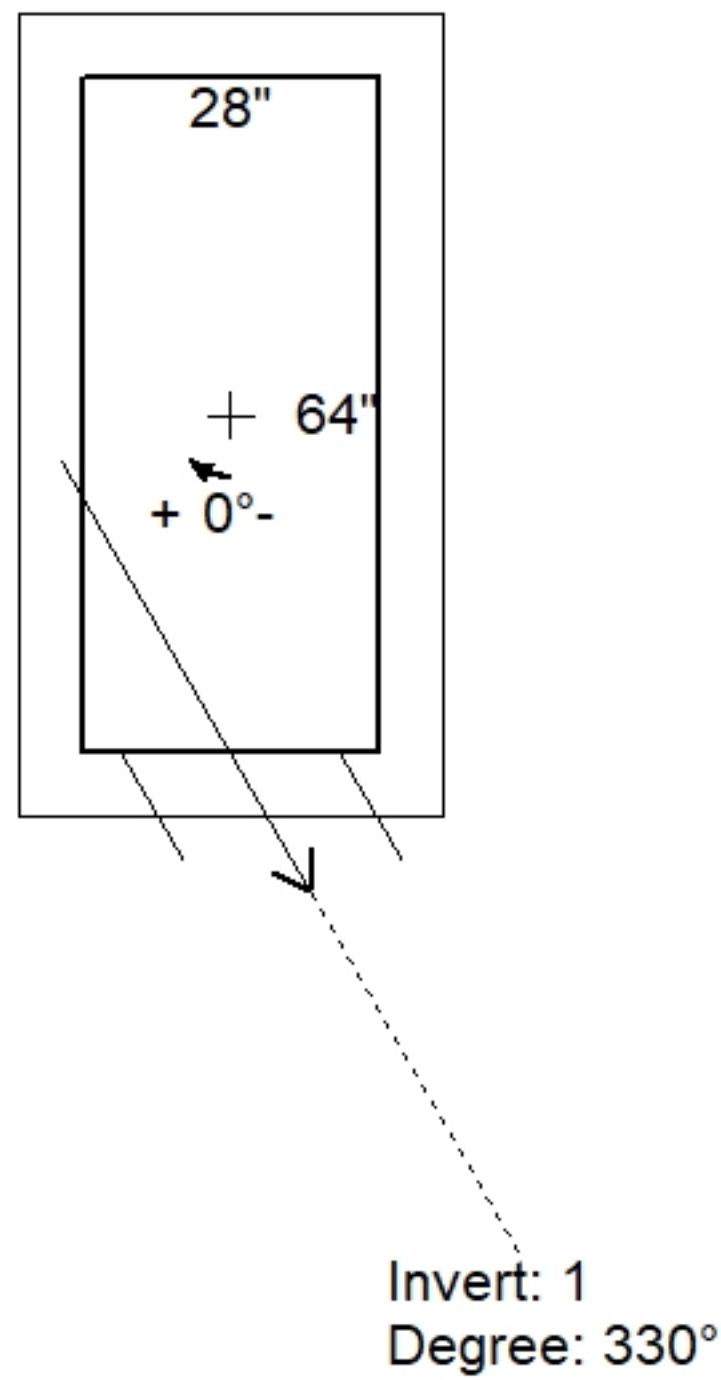
Structure Notes:

1. PER ASTM C913 SPECIFICATIONS.
2. CONCRETE = 4,000 PSI AT 28 DAYS.
3. NO STEPS AND NO INVERT CHANNEL.
4. CASTING BY ICAST (JBS 3080 DOUBLE SET (F/G/H))

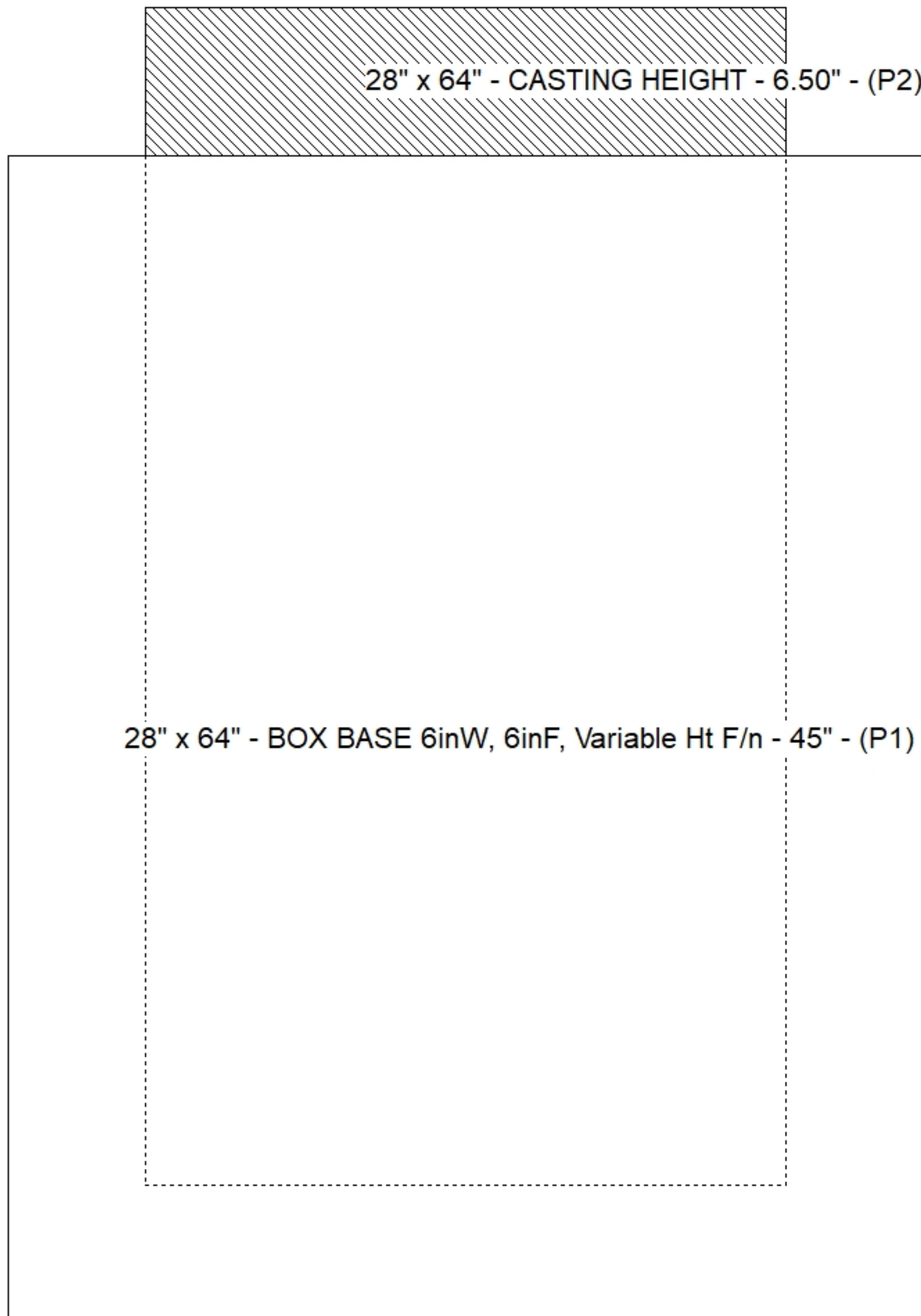
REINFORCING PER ASTM A615 (GRADE 60).  
 - WALLS (As .31) #5 BARS AT 12" C.C.E.W.  
 - FLOOR (As .31) #5 BARS AT 12" C.C.E.W.

STRUCTURE SUMMARY:

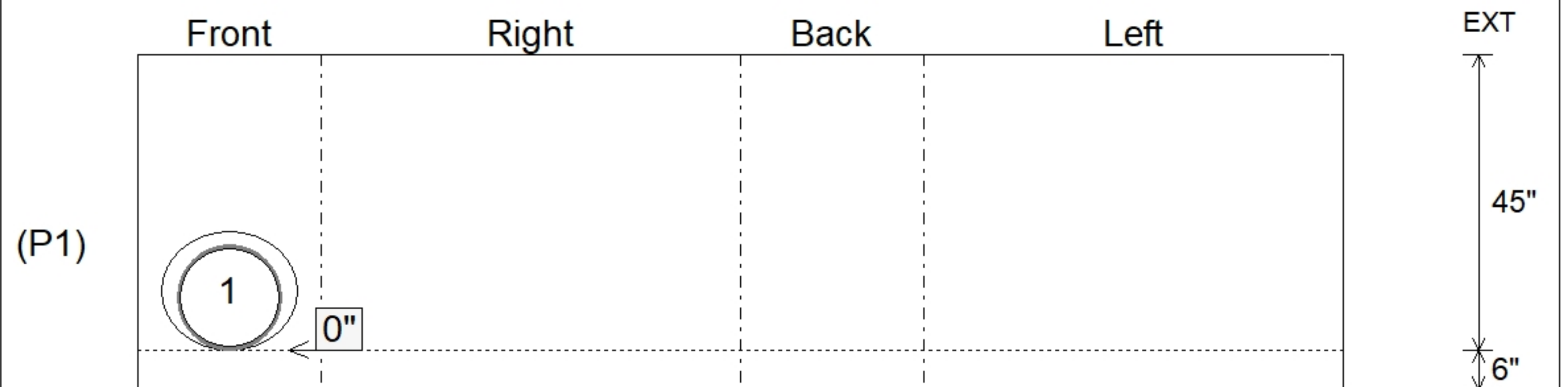
P2) 28" x 64" - CASTING HEIGHT - 6.50"	0 lb
P1) 28" x 64" - BOX BASE 6inW, 6inF, Variable Ht F/n - 45"	6095 lb
2) CASTING - JBS 3080 SET (F/G/H)	1000 lb
1) 28" x 64" - Conseal CS-102 1.00"	0 lb
1) Hole - 18	0 lb
<b>Structure Total:</b>	<b>7095 lb</b>



Position	Elev	Angle	Pipe	Pipe OD	Hole	Connector	Up (L)	Ref
Rim	472'							
Reducer								
Invert 1	467.7'	330°	15" CMP	16"	18"	Hole 18	0"	P1
Invert 2								
Invert 3								
Invert 4								
Invert 5								
Invert 6								
Invert 7								
Invert 8								



**Cast (Int. Dim.) - Interior Dimensions**



Submittal Drawing  
 4/14/2026 8:12:23 AM

SUBMITTAL  
 APPROVED BY: