

**Job Name: 26-1315 - Ruby Drive Extension**  
**Job Location: Madisonville, KY**  
**Contractor: Steve Pleasant Excavating**

PC: E. Bradley  
 TECH: J. Horsley  
 Plant: 100



Structure ID: **F-8 CBIA**

Spec: KYTC  
 Type: CBI TYPE A (10')  
 Size: 24" x 36"

Rim: 453.42'  
 Invert: 448.83'  
 Rim to Invert: 4.59'

Sump: 0"  
 Floor (Top): 448.83'  
 Floor Height: 8"

Floor (Bot): 448.163'  
 Overall Height: 5.25'  
 Slack: 0.08"

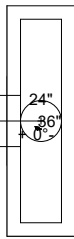
**Structure Notes:**

1. PER KYTC CBI TYPE A / ASTM C-913 SPECS
2. CONCRETE: 4,000 PSI AT 28 DAYS
3. REINFORCEMENT:
  - TOP PHASE TOP: #5 BAR @ 6" C.C. E.W. (GRADE 60)
  - TOP PHASE BOTTOM: #5 BAR @ 12" C.C. E.W. (GRADE 60)
  - PIPE CHAMBER: #5 BAR @ 12" C.C. E.W. (GRADE 60)
4. NO STORM INVERT
5. NO STEPS
6. HOE KY-206 FRAME & COVER "STORM" SUPPLIED BY ICAST - FRAME TO BE CAST INTO TOP PHASE TOP FLANGE SIDE UP

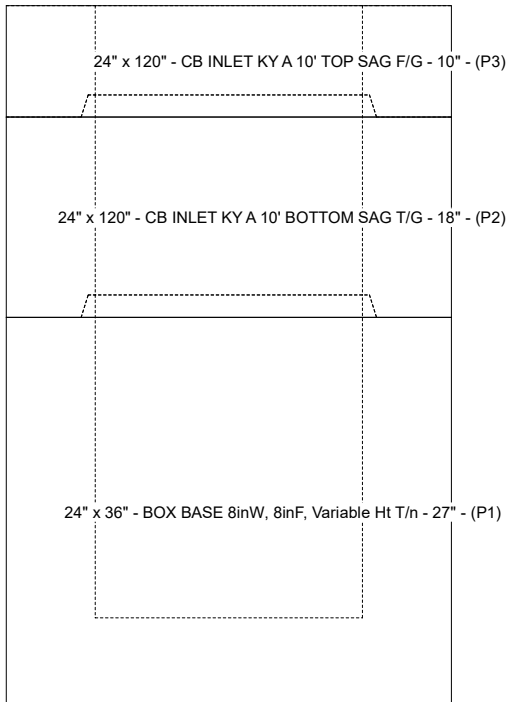
**STRUCTURE SUMMARY:**

- P3) 24" x 120" - CB INLET KY A 10' TOP SAG F/G - 10" 3398 lb
  - P2) 24" x 120" - CB INLET KY A 10' BOTTOM SAG T/G - 18" 5270 lb
  - P1) 24" x 36" - BOX BASE 8inW, 8inF, Variable Ht T/n - 27" 3612 lb
  - 1) CASTING - HOE KY-206 F/C (KY CBI A) 206 lb
  - 1) This Structure Includes a Cast-in Item - KY-206 Frame Flange Side Up 0 lb
  - 1) 24" x 36" - Conseal CS-102 1.00" 0 lb
  - 1) DOGHOUSE INVRTD - 30"x30" 0 lb
- Structure Total: **12486 lb**

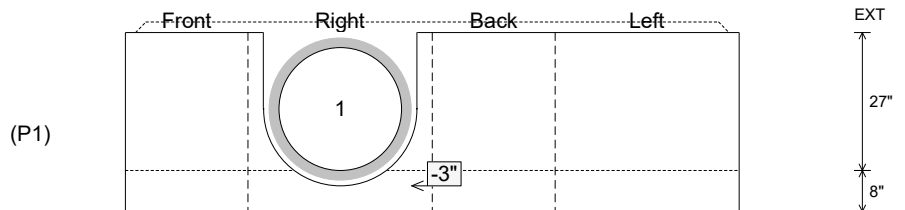
Invert: 1  
 Degree: 90°



Position	Elev	Angle	Pipe	Pipe OD	Hole	Connector	Up ( )	Ref
Rim	453.42'							
Reducer								
Invert 1	448.83'	90°	24" HDPE	27.8"	30" x 30"	DOGHOUSE INVRTD 30"x30"	-3"	P1
Invert 2								
Invert 3								
Invert 4								
Invert 5								
Invert 6								
Invert 7								
Invert 8								



**Cast (Int. Dim.) - Interior Dimensions**



Submittal Drawing  
 3/31/2026 8:28:58 AM

SUBMITTAL  
 APPROVED BY: