

Job Name: 26-1315 - Ruby Drive Extension	Plant: 100	Tech: J. Horsley	
Job Location: Madisonville, KY	3/31/2026 9:20:26 AM	PC: E. Bradley	
Contractor: Steve Pleasant Excavating			

Structure ID: E-7 CBIA

P1 BX2436-08BVF

BOX BASE 8inW, 8inF, Variable Ht T/n

P3) 24" x 120" - CB INLET KY A 10' TOP SAG F/G - 10"	3398 lb
P2) 24" x 120" - CB INLET KY A 10' BOTTOM SAG T/G - 18"	5270 lb
P1) 24" x 36" - BOX BASE 8inW, 8inF, Variable Ht T/n - 29"	3206 lb
1) CASTING - HOE KY-206 F/C (KY CBI A)	206 lb
1) This Structure Includes a Cast-in Item - KY-206 Frame Flange Side Up	0 lb
1) 24" x 36" - Conseal CS-102 1.00"	0 lb
2) DOGHOUSE INVRTD - 30"x30"	0 lb
Structure Total:	12080 lb

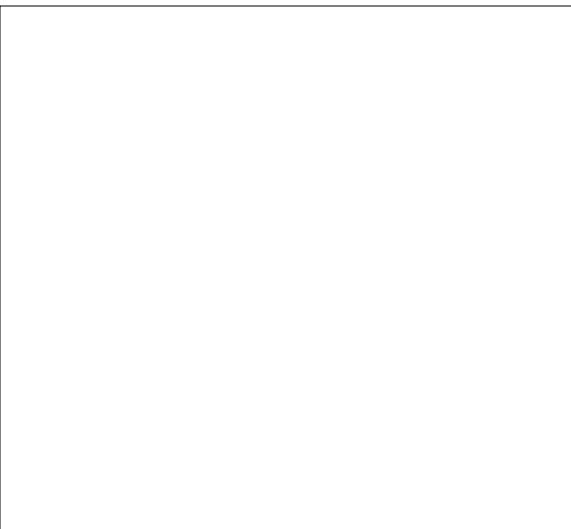
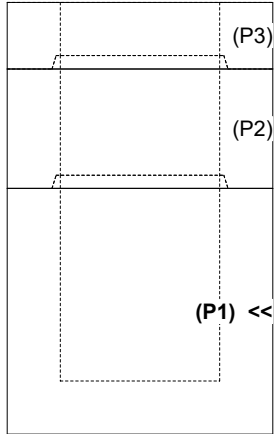
- Structure Notes:**
- PER KYTC CBI TYPE A / ASTM C-913 SPECS
 - CONCRETE: 4,000 PSI AT 28 DAYS
 - REINFORCEMENT: #5 BAR @ 12" C.C. E.W. (GRADE 60) - 2" MIN. REBAR CLEARANCE (TYP)
 - NO STORM INVERT
 - NO STEPS
 - HOE KY-206 FRAME & COVER "STORM" SUPPLIED BY ICAST - FRAME TO BE CAST INTO TOP PHASE TOP FLANGE SIDE UP
 - LIFTERS TO BE INSTALLED IN FLOOR**

Rim: 453.42' Rim to Invert: 4.83' Slack: 0.96" Sump: 0" Step Position:

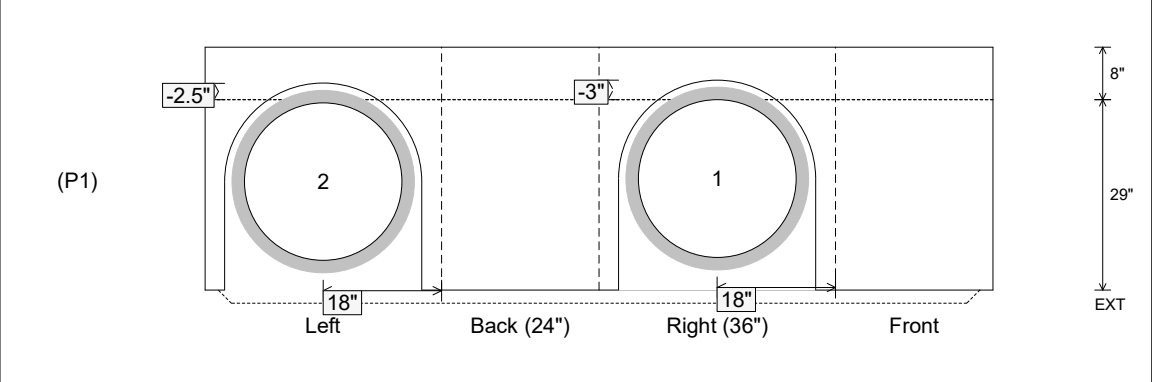
Position	Elev	Angle	Ext. (cw)	Pipe	Pipe OD	Connector	Hole	Horz Size	Up ()	Offset
Invert 1	448.59'	90°	26"	24" HDPE	27.8"	DOGHOUSE INVRTD 30"x30"	30" x 30"	30"	-3"	0"
Invert 2	448.63'	270°	26"	24" HDPE	27.8"	DOGHOUSE INVRTD 30"x30"	30" x 30"	30"	-2.5"	0"
Invert 3										
Invert 4										
Invert 5										
Invert 6										
Invert 7										
Invert 8										

RIGHT-SIDE UP VIEW (int. dimensions)

UPSIDE-DOWN VIEW (int. dimenions)



INSIDE WALL DIMENSIONS



Coating (Int): Coating (Ext):	Seam Up: Tongue Seam Dn: n/a	Wall Thickness: 8" Floor Height: 8"	Height (Int): 29" Height (Ext): 37"	Weight (Net): 3206 lb Volume (Net): 0.82cu.yd
----------------------------------	---------------------------------	--	--	--