

Job Name: 26-1315 - Ruby Drive Extension
 Job Location: Madisonville, KY
 Contractor: Steve Pleasant Excavating

Plant: 100
 3/31/2026 9:20:29 AM

Tech: J. Horsley
 PC: E. Bradley



Structure ID: E-13 SS-MH

P1 MH048BA24

MH BASE T/n

P3) 24" - CASTING HEIGHT - 7"	0 lb
P2) 48" - ECC CONE w/ 24" HOLE F/G - 36"	3000 lb
P1) 48" - MH BASE T/n - 24"	2959 lb
1) 48" - MH INVERT CHANNEL - FULL HEIGHT	1440 lb
1) JOINT WRAP - 0.065"x6"x50" CONSEAL CS212	0 lb
1) JOINT WRAP PRIMER - CONSEAL CS-75 (1 gal.)	0 lb
1) Inflow Dish FOR MC-315	2 lb
1) CASTING - HOE MC-315 Self Seal F/C Sanitary	258 lb
1) 48" - Conseal CS-102 1.00" (Double)	0 lb
1) PSX - 12-08 NYLO	8 lb
4) MH Step ML-10-TDS-NCR - 10"	0 lb
Structure Total:	7667 lb

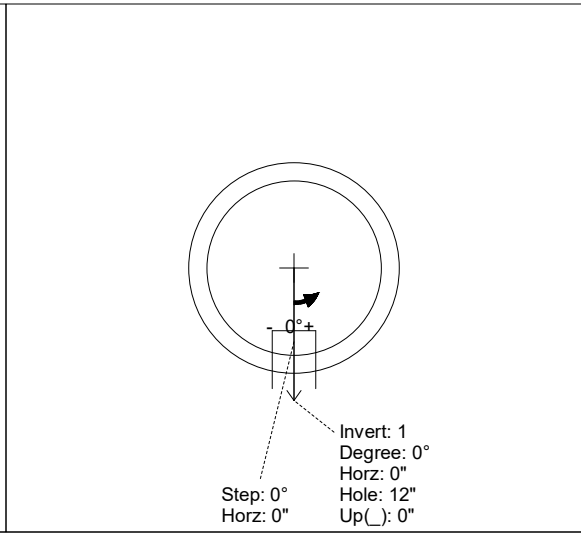
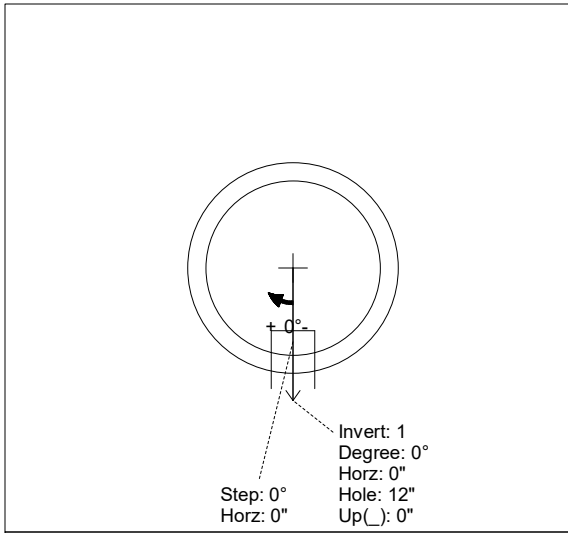
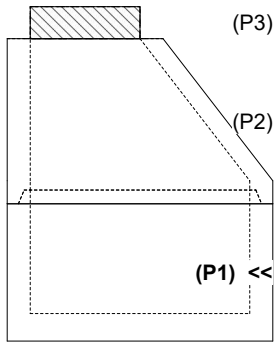
Structure Notes:
 1. PER ASTM C-478 SPECS
 2. CONCRETE: 4,000 PSI AT 28 DAYS
 3. REINFORCEMENT: PER ASTM A615
 4. INVERT CHANNEL REQUIRED
 5. STEPS AT 0 DEGREES
 6. HOE MC-315 FRAME & COVER "SANITARY" SUPPLIED BY ICAST
 7. HOE MC-315 INFLOW DISH SUPPLIED BY ICAST

Rim: 452.57' Rim to Invert: 5.65' Slack: 2.8" Sump: 2" Step Position: 0°

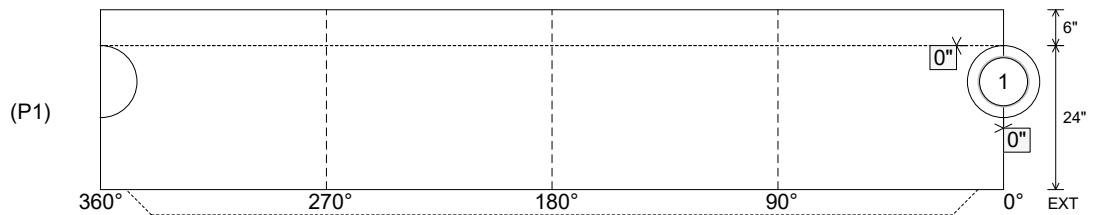
Position	Elev	Angle	Ext. (cw)	Pipe	Pipe OD	Connector	Hole	Horz Size	Up ()	Offset
Invert 1	446.92'	0°	0"	8" PVC SDR35	8.5"	PSX 12-08 NYLO	12"	12.129"	0"	0"
Invert 2										
Invert 3										
Invert 4										
Invert 5										
Invert 6										
Invert 7										
Invert 8										

RIGHT-SIDE UP VIEW (int. dimensions)

UPSIDE-DOWN VIEW (int. dimensions)



INSIDE WALL DIMENSIONS



Coating (Int):
 Coating (Ext):

Seam Up: Tongue
 Seam Dn: n/a

Wall Thickness: 5"
 Floor Height: 6"

Height (Int): 24"
 Height (Ext): 30"

Weight (Net): 2959 lb
 Volume (Net): 0.76cu.yd

Structure ID: E-13 SS-MH

P1 MH048BA24

MH BASE T/n

P3) 24" - CASTING HEIGHT - 7" P2) 48" - ECC CONE w/ 24" HOLE F/G - 36" P1) 48" - MH BASE T/n - 24" 1) 48" - MH INVERT CHANNEL - FULL HEIGHT 1) JOINT WRAP - 0.065"x6"x50" CONSEAL CS212 1) JOINT WRAP PRIMER - CONSEAL CS-75 (1 gal.) 1) Inflow Dish FOR MC-315 1) CASTING - HOE MC-315 Self Seal F/C Sanitary 1) 48" - Conseal CS-102 1.00" (Double) 1) PSX - 12-08 NYLO 4) MH Step ML-10-TDS-NCR - 10"	0 lb 3000 lb 2959 lb 1440 lb 0 lb 0 lb 2 lb 258 lb 0 lb 8 lb 0 lb _____ Structure Total: 7667 lb
--	--

Structure Notes:

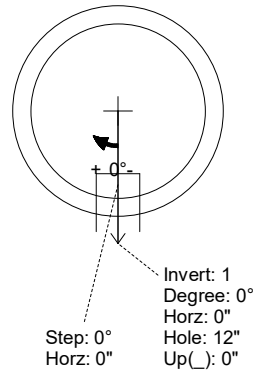
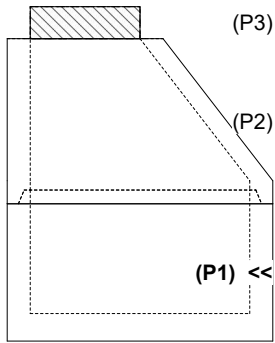
1. PER ASTM C-478 SPECS
2. CONCRETE: 4,000 PSI AT 28 DAYS
3. REINFORCEMENT: PER ASTM A615
4. INVERT CHANNEL REQUIRED
5. STEPS AT 0 DEGREES
6. HOE MC-315 FRAME & COVER "SANITARY" SUPPLIED BY ICAST
7. HOE MC-315 INFLOW DISH SUPPLIED BY ICAST

Rim: 452.57' Rim to Invert: 5.65' Slack: 2.8" Sump: 2" Step Position: 0°

Position	Elev	Angle	Ext. (cw)	Pipe	Pipe OD	Connector	Hole	Horz Size	Up ()	Offset
Invert 1	446.92'	0°	0"	8" PVC SDR35	8.5"	PSX 12-08 NYLO	12"	12.129"	0"	0"
Invert 2										
Invert 3										
Invert 4										
Invert 5										
Invert 6										
Invert 7										
Invert 8										

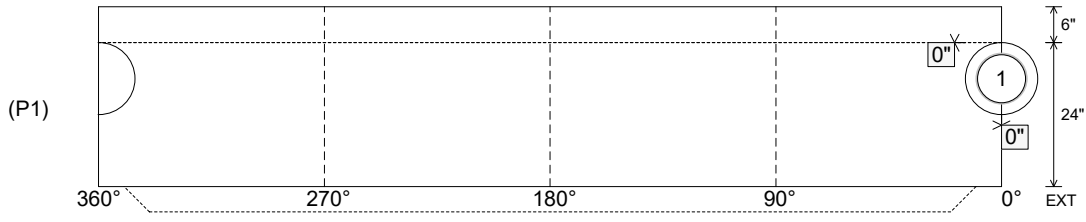
RIGHT-SIDE UP VIEW (int. dimensions)

UPSIDE-DOWN VIEW (int. dimensions)



INVERT CHANNEL
 DRAWING
 (STRAIGHT THROUGH)

INSIDE WALL DIMENSIONS



Coating (Int): Coating (Ext):	Seam Up: Tongue Seam Dn: n/a	Wall Thickness: 5" Floor Height: 6"	Height (Int): 24" Height (Ext): 30"	Weight (Net): 2959 lb Volume (Net): 0.76cu.yd
----------------------------------	---------------------------------	--	--	--