

Job Name: 26-1315 - Ruby Drive Extension
 Job Location: Madisonville, KY
 Contractor: Steve Pleasant Excavating

Plant: 100
 3/31/2026 10:53:15 AM

Tech: J. Horsley
 PC: E. Bradley



Structure ID: B-10 SS-MH

P3 MH048CN42

ECC CONE w/ 24" HOLE F/G

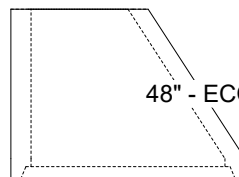
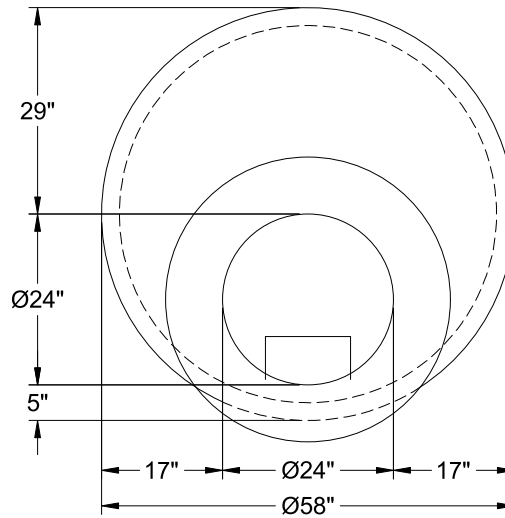
- P5) 24" - CASTING HEIGHT - 7"
- P4) 24" - GRADE RING F/F - 3"
- P3) 48" - ECC CONE w/ 24" HOLE F/G - 42"
- P2) 48" - MH RISER T/G - 60"
- P1) 48" - MH BASE T/n - 30"
- 1) 48" - MH INVERT CHANNEL - FULL HEIGHT
- 1) JOINT WRAP - 0.065"x6"x50' CONSEAL CS212
- 1) JOINT WRAP PRIMER - CONSEAL CS-75 (1 gal.)
- 1) Inflow Dish FOR MC-315
- 1) CASTING - HOE MC-315 Self Seal F/C Sanitary
- 2) 48" - Conseal CS-102 1.00" (Double)
- 3) PSX - 12-08 NYLO
- 11) MH Step ML-10-TDS-NCR - 10"

0 lb
 202 lb
 3200 lb
 4192 lb
 3282 lb
 1440 lb
 0 lb
 0 lb
 2 lb
 258 lb
 0 lb
 24 lb
 0 lb

 12600 lb

Structure Total: 12600 lb

- Structure Notes:
1. PER ASTM C-478 SPECS
 2. CONCRETE: 4,000 PSI AT 28 DAYS
 3. REINFORCEMENT: PER ASTM A615
 4. STEPS REQUIRED
 5. HOE MC-315 FRAME & COVER "SANITARY" SUPPLIED BY ICAST
 6. HOE MC-315 INFLOW DISH SUPPLIED BY ICAST



48" - ECC CONE w/ 24" HOLE F/G - 42" - (P3)

Coating (Int):
 Coating (Ext):

Seam Up: Flat
 Seam Dn: Groove

Wall Thickness: 5"

Height (Ext): 42"

Weight (Net): 3200 lb
 Volume (Net): 0.5cu.yd