

Job Name: 26-1303 - Hale Ave & Woods Ferry Rd. Stormwater
Job Location: Gallatin, TN 37066
Contractor: Stewart Richey

PC: T. Lewis
 TECH: Jared - F
 Plant: 100



Structure ID: 126-18 ST-OCS

Spec: Storm
 Type: Outlet Control Structure
 Size: 48" x 48"

Rim: 562.5'
 Invert: 559'
 Rim to Invert: 3.5'

Sump: 18"
 Floor (Top): 557.5'
 Floor Height: 8"

Floor (Bot): 556.833'
 Overall Height: 5.667'
 Slack: 0"

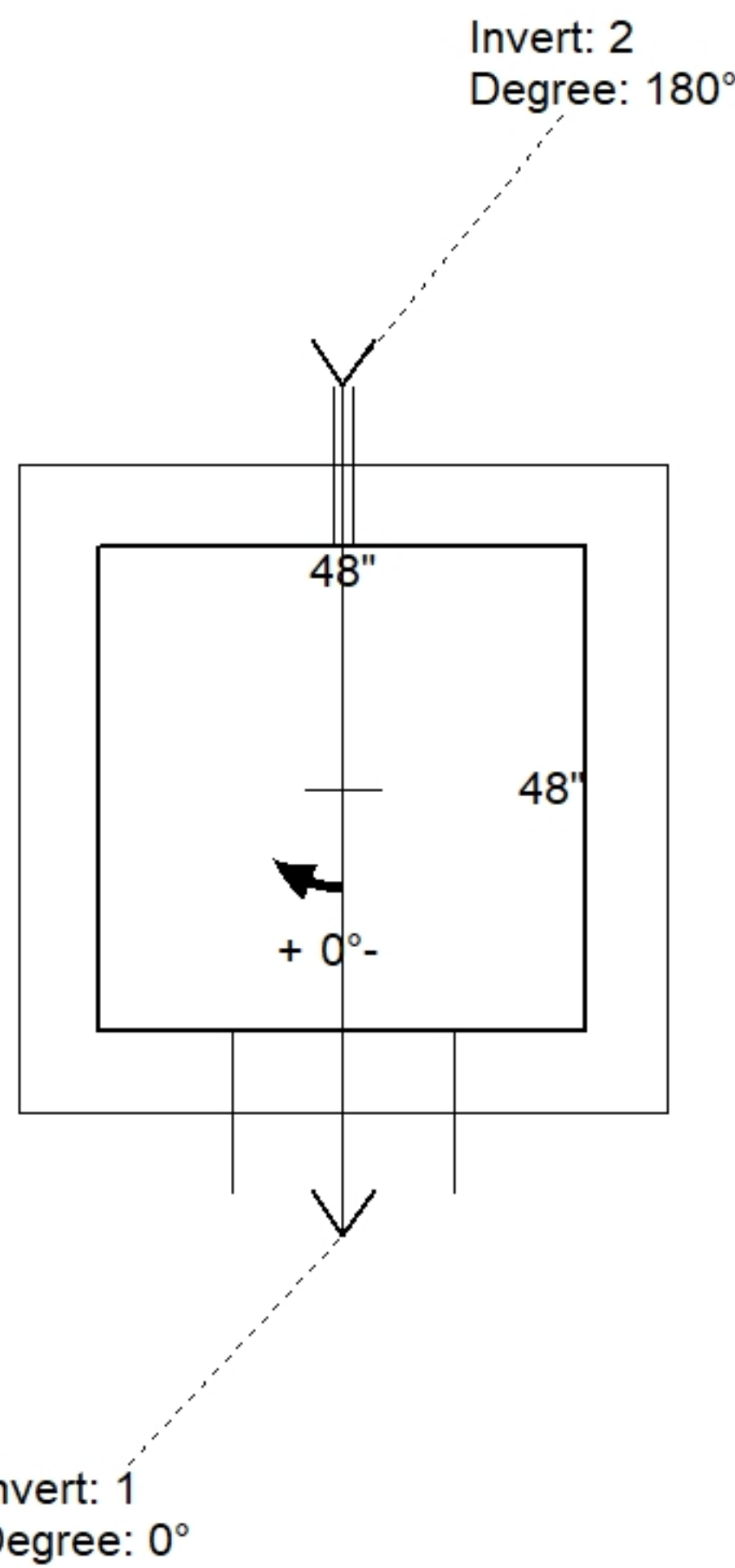
Structure Notes:

1. PER ASTM C913 SPECIFICATIONS.
2. CONCRETE = 4,000 PSI AT 28 DAYS.
3. NO STEPS AND NO INVERT CHANNEL.
4. CASTING BY ICAST (TRASHRACKS LFG-4848-P FLAT INLET GRATE).

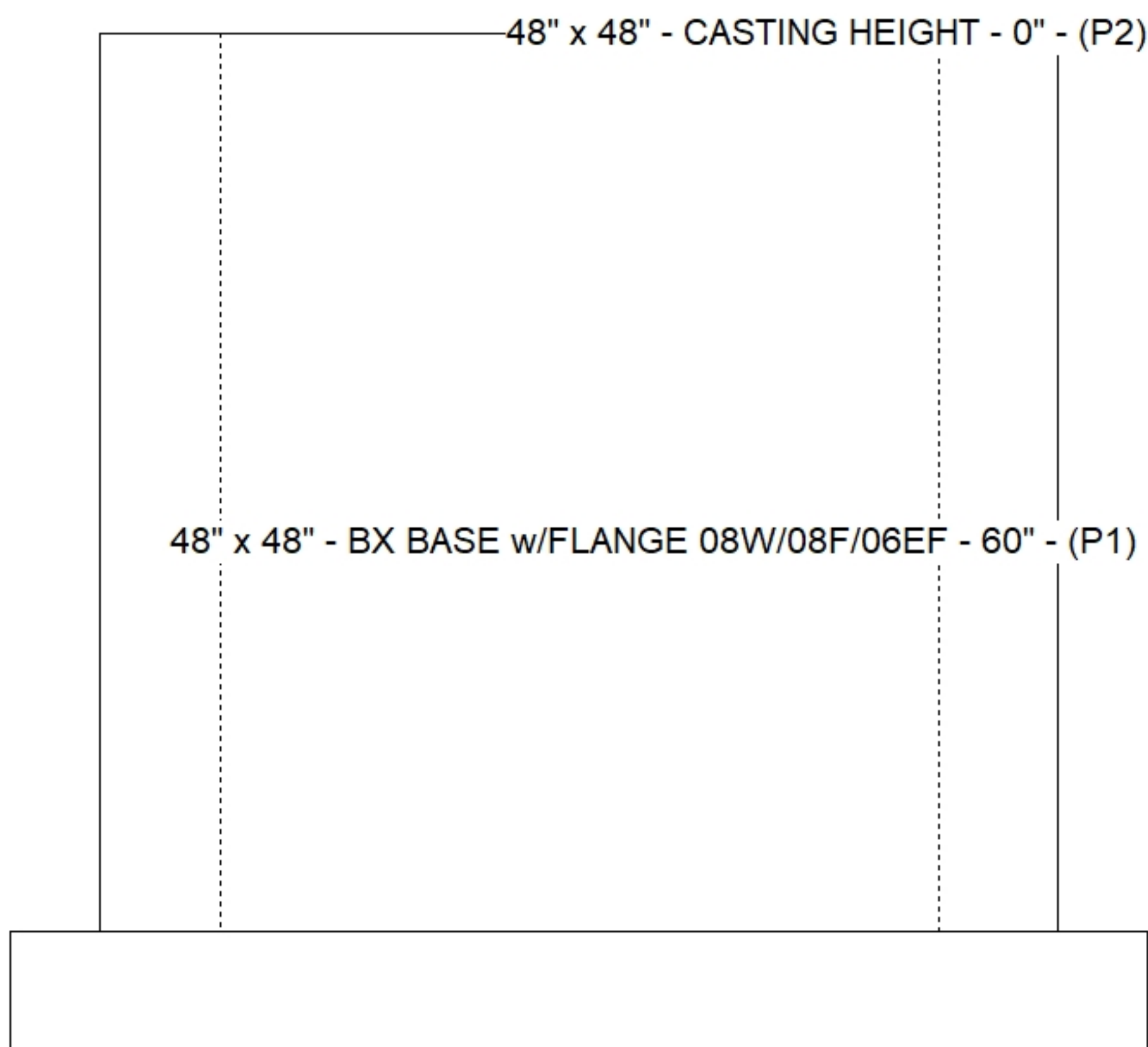
REINFORCING PER ASTM A615 (GRADE 60).
 - WALLS (As .12) #5 BARS AT 12" C.C.E.W.
 - FLOOR (As .12) #5 BARS AT 12" C.C.E.W.

STRUCTURE SUMMARY:

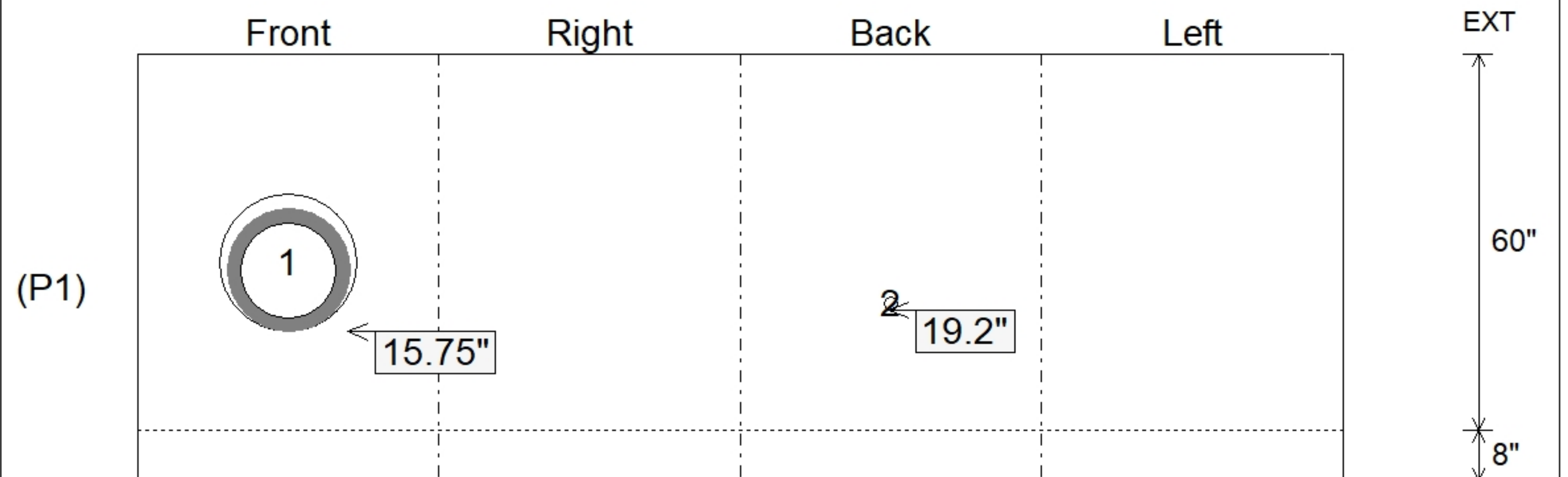
P2) 48" x 48" - CASTING HEIGHT - 0"	0 lb
P1) 48" x 48" - BX BASE w/FLANGE 08W/08F/06EF - 60"	12642 lb
1) CASTING - TRASHRACKS LFG-4848-P Flat Inlet Grate	83 lb
1) SECONDARY POUR - EXT FLANGE	0 lb
1) 48" x 48" - Conseal CS-102 1.00"	0 lb
1) Hole - 22	0 lb
1) Hole - 2	0 lb
Structure Total:	12725 lb



Position	Elev	Angle	Pipe	Pipe OD	Hole	Connector	Up (')	Ref
Rim	562.5'							
Reducer								
Invert 1	559'	0°	15" RCP B WALL	19.5"	22"	Hole 22	15.75"	P1
Invert 2	559.1'	180°	2" Orifice	2"	2"	Hole 2	19.2"	P1
Invert 3								
Invert 4								
Invert 5								
Invert 6								
Invert 7								
Invert 8								



Default - Interior Dimensions



Submittal Drawing
 4/30/2026 2:40:40 PM

SUBMITTAL
 APPROVED BY: