

**Job Name: 26-1303 - Hale Ave & Woods Ferry Rd. Stormwater**  
**Job Location: Gallatin, TN 37066**  
**Contractor: Stewart Richey**

PC: T. Lewis  
 TECH: Jared - F  
 Plant: 100



Structure ID: 120-12 ST-TCI

Spec: Storm  
 Type: BX 6inW, 6inF  
 Size: 28" x 96"

Rim: 558.74'  
 Invert: 554.49'  
 Rim to Invert: 4.25'

Sump: 0"  
 Floor (Top): 554.49'  
 Floor Height: 6"

Floor (Bot): 553.99'  
 Overall Height: 4.708'  
 Slack: 0.5"

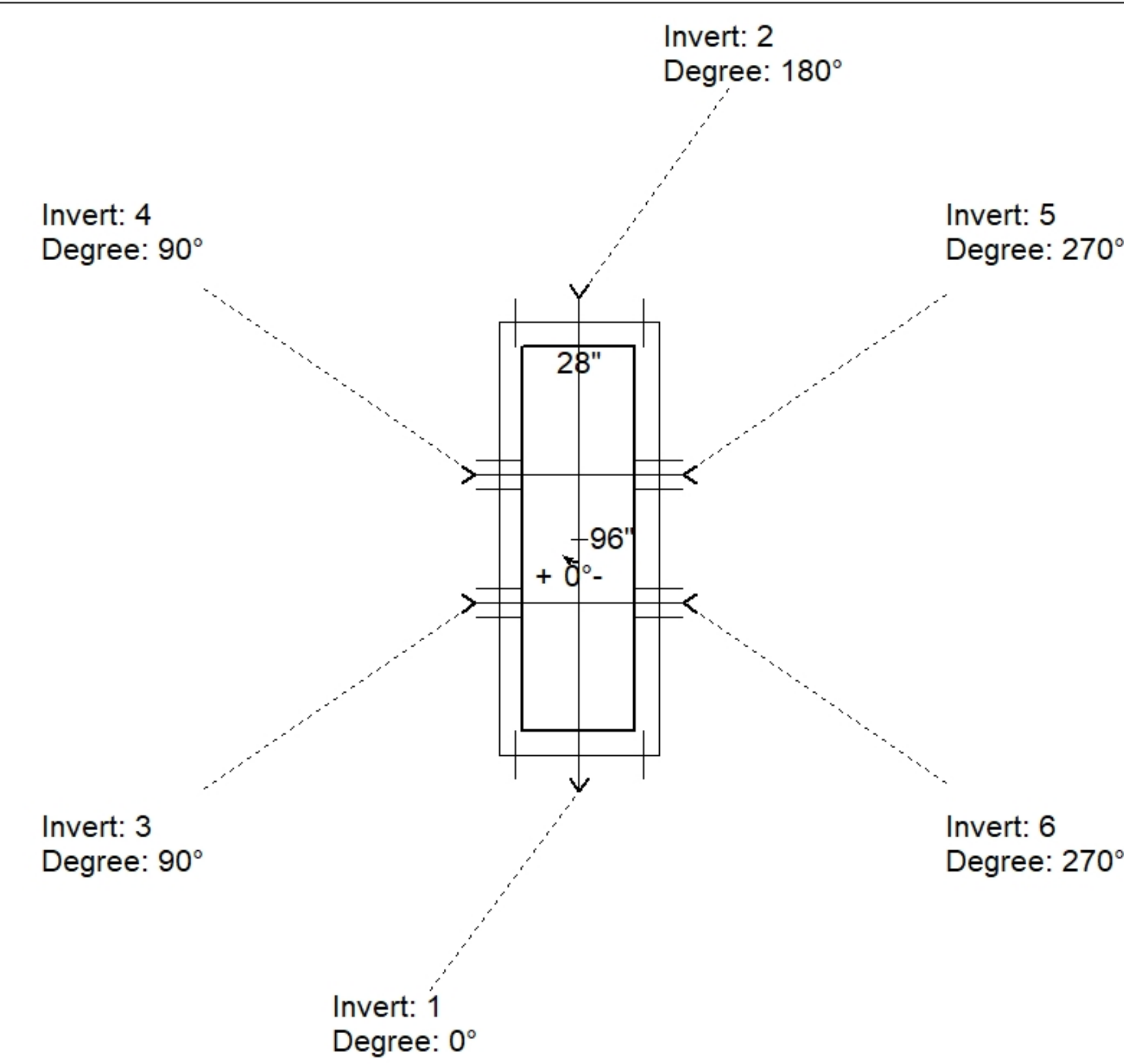
**Structure Notes:**

1. PER ASTM C913 SPECIFICATIONS.
2. CONCRETE = 4,000 PSI AT 28 DAYS.
3. NO STEPS AND NO INVERT CHANNEL.
4. CASTING BY ICAST (JBS 3300 F/G/H - TRIPLE CURB INLET).

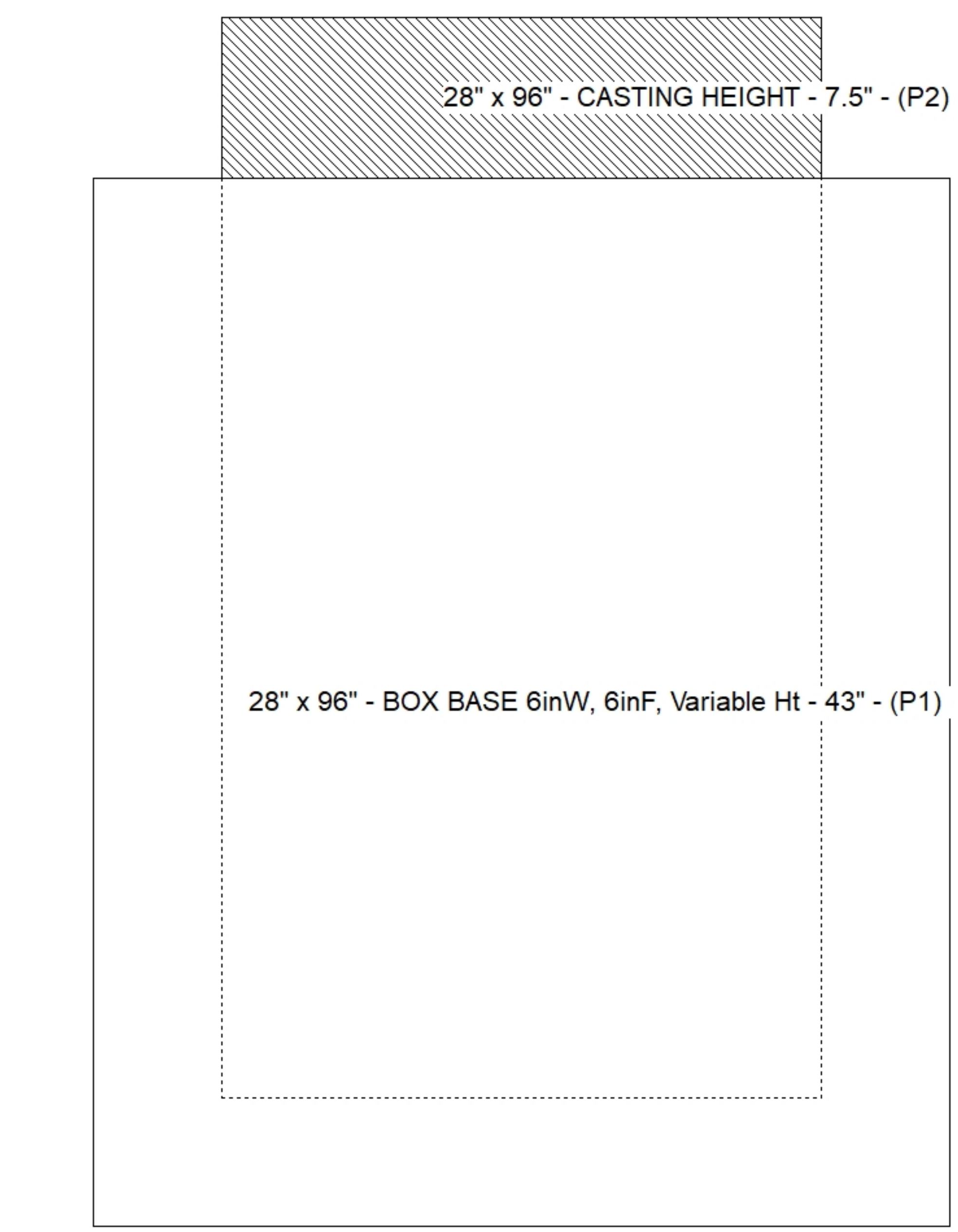
REINFORCING PER ASTM A615 (GRADE 60).  
 - WALLS (As .12) #5 BARS AT 12" C.C.E.W.  
 - FLOOR (As .12) #5 BARS AT 12" C.C.E.W.

**STRUCTURE SUMMARY:**

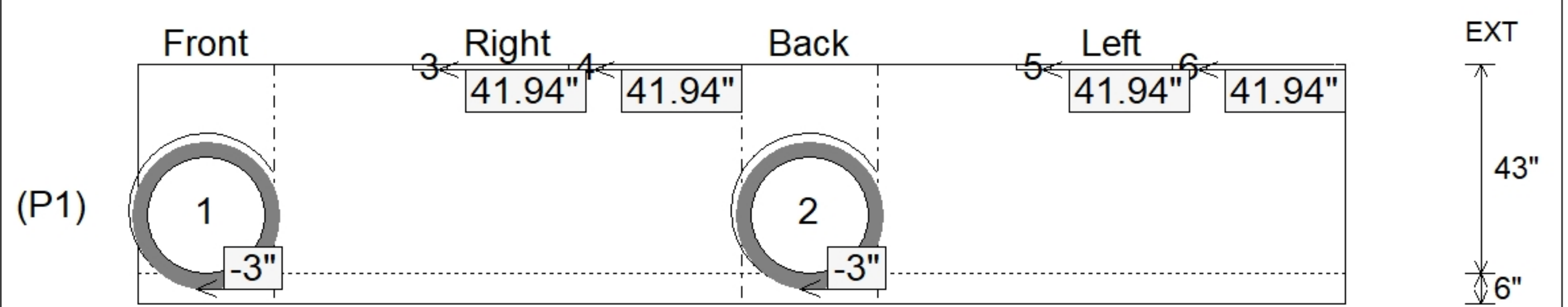
P2) 28" x 96" - CASTING HEIGHT - 7.5"	0 lb
P1) 28" x 96" - BOX BASE 6inW, 6inF, Variable Ht - 43"	7442 lb
1) Conseal CS-102 1.00" (Single)	0 lb
1) SECONDARY POUR - WALLS	0 lb
1) CASTING - JBS 3300 F/G/H - Triple Curb Inlet	750 lb
2) Hole - 32	0 lb
4) LINTEL BAR SLOT - 7"x1"	0 lb
<b>Structure Total:</b>	<b>8192 lb</b>



Position	Elev	Angle	Pipe	Pipe OD	Hole	Connector	Up (")	Ref
Rim	558.74'							
Reducer								
Invert 1	554.49'	0°	24" RCP B WALL	30"	32"	Hole 32	-3"	P1
Invert 2	554.49'	180°	24" RCP B WALL	30"	32"	Hole 32	-3"	P1
Invert 3	557.985'	90°	7" x 1" LINTEL BAR SLOT	7" x 1"	7" x 1"	LINTEL BAR SLOT 7"x1"	41.94"	P1
Invert 4	557.985'	90°	7" x 1" LINTEL BAR SLOT	7" x 1"	7" x 1"	LINTEL BAR SLOT 7"x1"	41.94"	P1
Invert 5	557.985'	270°	7" x 1" LINTEL BAR SLOT	7" x 1"	7" x 1"	LINTEL BAR SLOT 7"x1"	41.94"	P1
Invert 6	557.985'	270°	7" x 1" LINTEL BAR SLOT	7" x 1"	7" x 1"	LINTEL BAR SLOT 7"x1"	41.94"	P1
Invert 7								
Invert 8								



**Default - Interior Dimensions**



Submittal Drawing  
 4/20/2026 9:47:11 AM

SUBMITTAL  
 APPROVED BY: