

Job Name: 26-1303 - Hale Ave & Woods Ferry Rd. Stormwater
Job Location: Gallatin, TN 37066
Contractor: Stewart Richey

PC: T. Lewis
 TECH: Jared - F
 Plant: 100



Structure ID: 118-10 ST-CI

Spec: Storm
 Type: BX 6inW, 6inF
 Size: 30" x 30"

Rim: 557.34'
 Invert: 553.31'
 Rim to Invert: 4.03'

Sump: 0"
 Floor (Top): 553.31'
 Floor Height: 6"

Floor (Bot): 552.81'
 Overall Height: 4.458'
 Slack: 0.86"

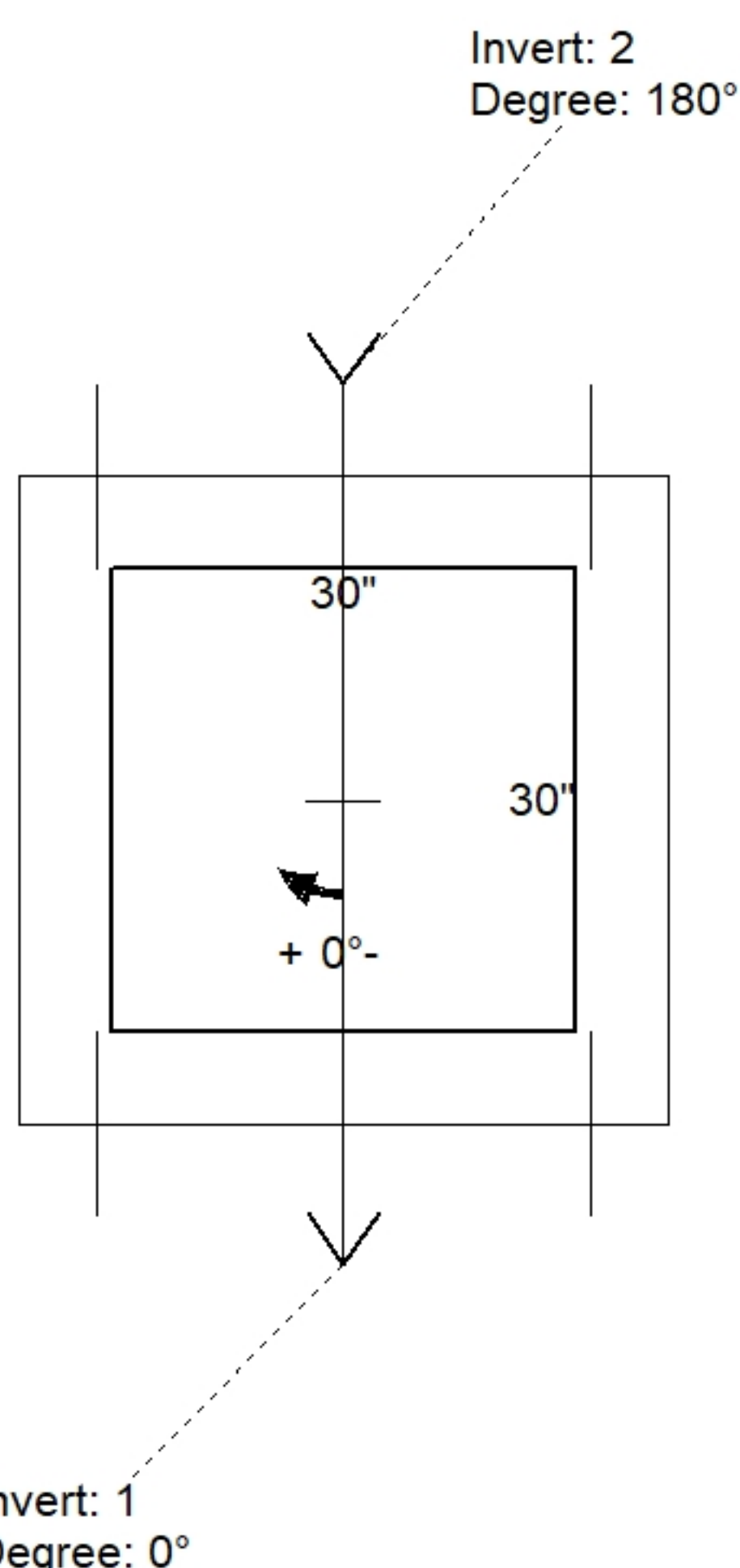
Structure Notes:

1. PER ASTM C913 SPECIFICATIONS.
2. CONCRETE = 4,000 PSI AT 28 DAYS.
3. NO STEPS AND NO INVERT CHANNEL.
4. CASTING BY ICAST (JBS 3300 F/G/H - SINGLE CURB INLET)

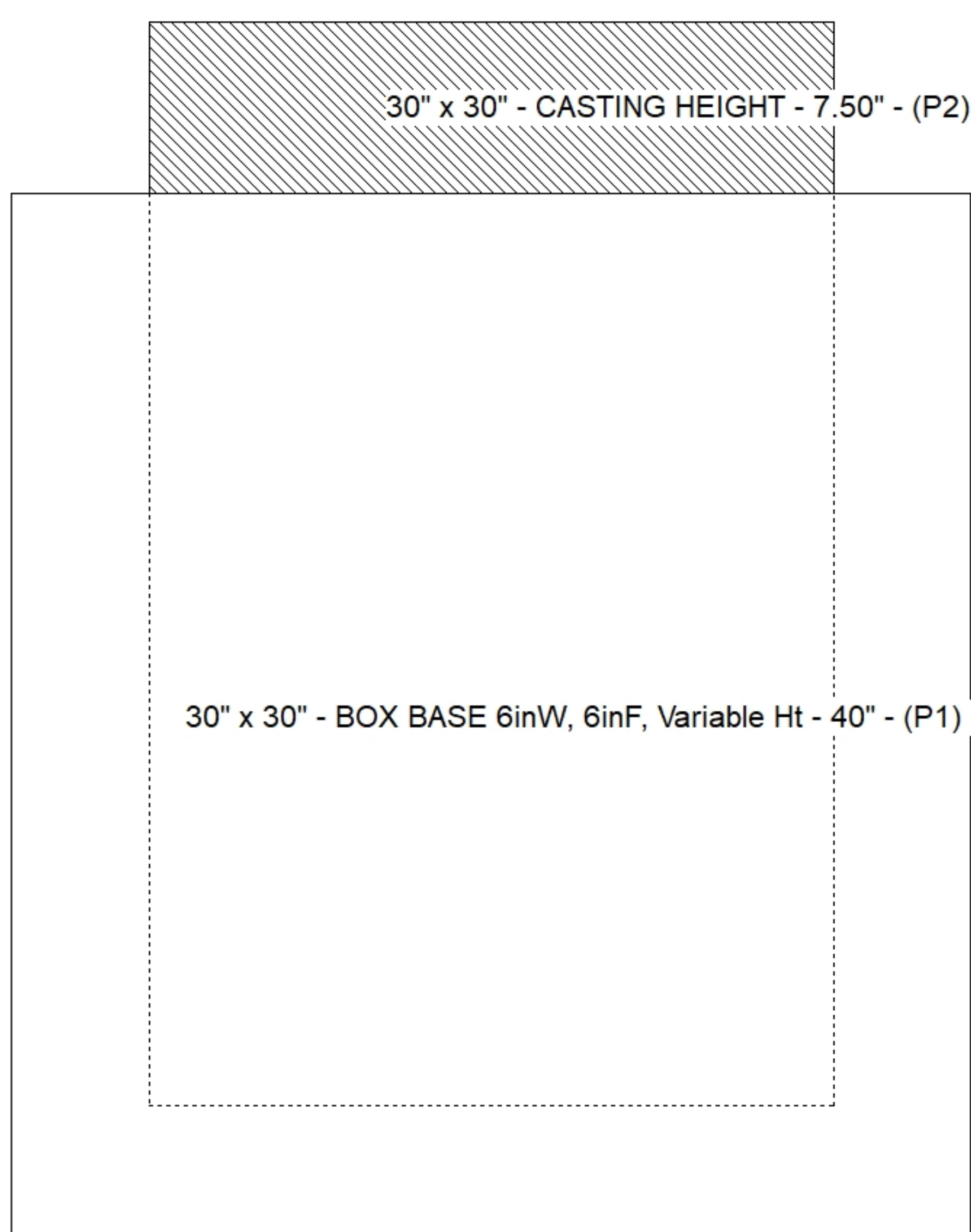
REINFORCING PER ASTM A615 (GRADE 60).
 - WALLS (As .12) #5 BARS AT 12" C.C.E.W.
 - FLOOR (As .12) #5 BARS AT 12" C.C.E.W.

STRUCTURE SUMMARY:

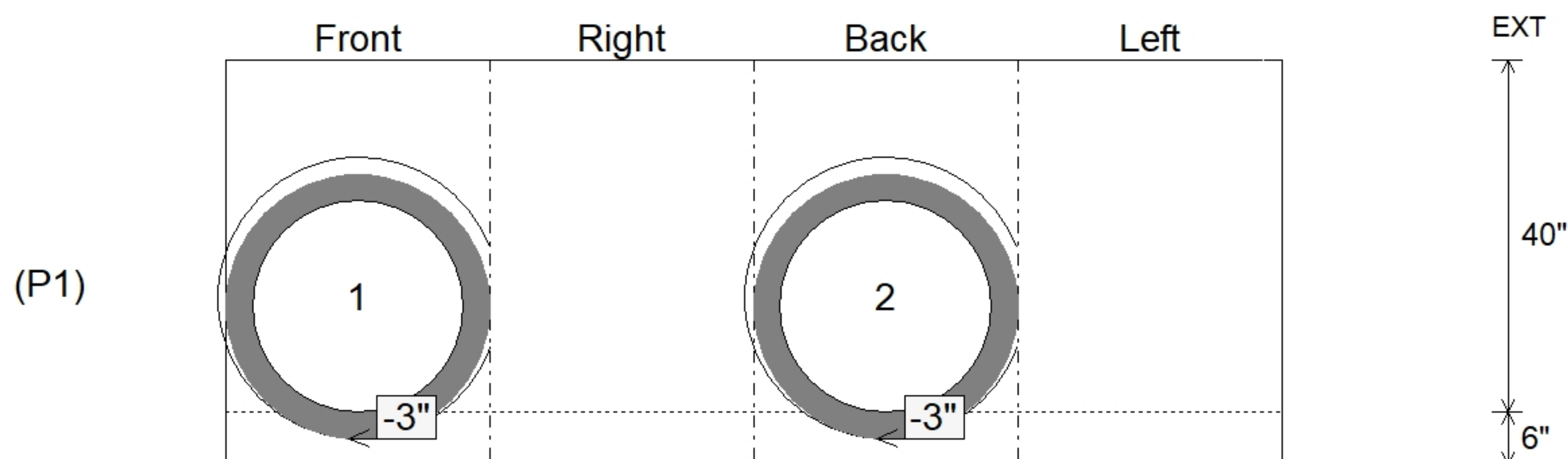
P2) 30" x 30" - CASTING HEIGHT - 7.50"	0 lb
P1) 30" x 30" - BOX BASE 6inW, 6inF, Variable Ht - 40"	3181 lb
1) CASTING - JBS 3300 F/G/H - Single Curb Inlet	250 lb
1) 30" x 30" - Conseal CS-102 1.00"	0 lb
2) Hole - 32"	0 lb
Structure Total:	3431 lb



Position	Elev	Angle	Pipe	Pipe OD	Hole	Connector	Up ()	Ref
Rim	557.34'							
Reducer								
Invert 1	553.31'	0°	24" RCP B WALL	30"	32"	Hole 32	-3"	P1
Invert 2	553.31'	180°	24" RCP B WALL	30"	32"	Hole 32	-3"	P1
Invert 3								
Invert 4								
Invert 5								
Invert 6								
Invert 7								
Invert 8								



Default - Interior Dimensions



Submittal Drawing
 4/20/2026 9:47:06 AM

SUBMITTAL
 APPROVED BY: