

**Job Name: 26-1303 - Hale Ave & Woods Ferry Rd. Stormwater**  
**Job Location: Gallatin, TN 37066**  
**Contractor: Stewart Richey**

PC: T. Lewis  
 TECH: Jared - F  
 Plant: 100



Structure ID: 115-7 ST-AD

Spec: Storm  
 Type: BX 8inW, 8inF  
 Size: 36" x 48"

Rim: 556.44'  
 Invert: 551.55'  
 Rim to Invert: 4.89'

Sump: 0"  
 Floor (Top): 551.55'  
 Floor Height: 8"

Floor (Bot): 550.883'  
 Overall Height: 5.5'  
 Slack: 0.68"

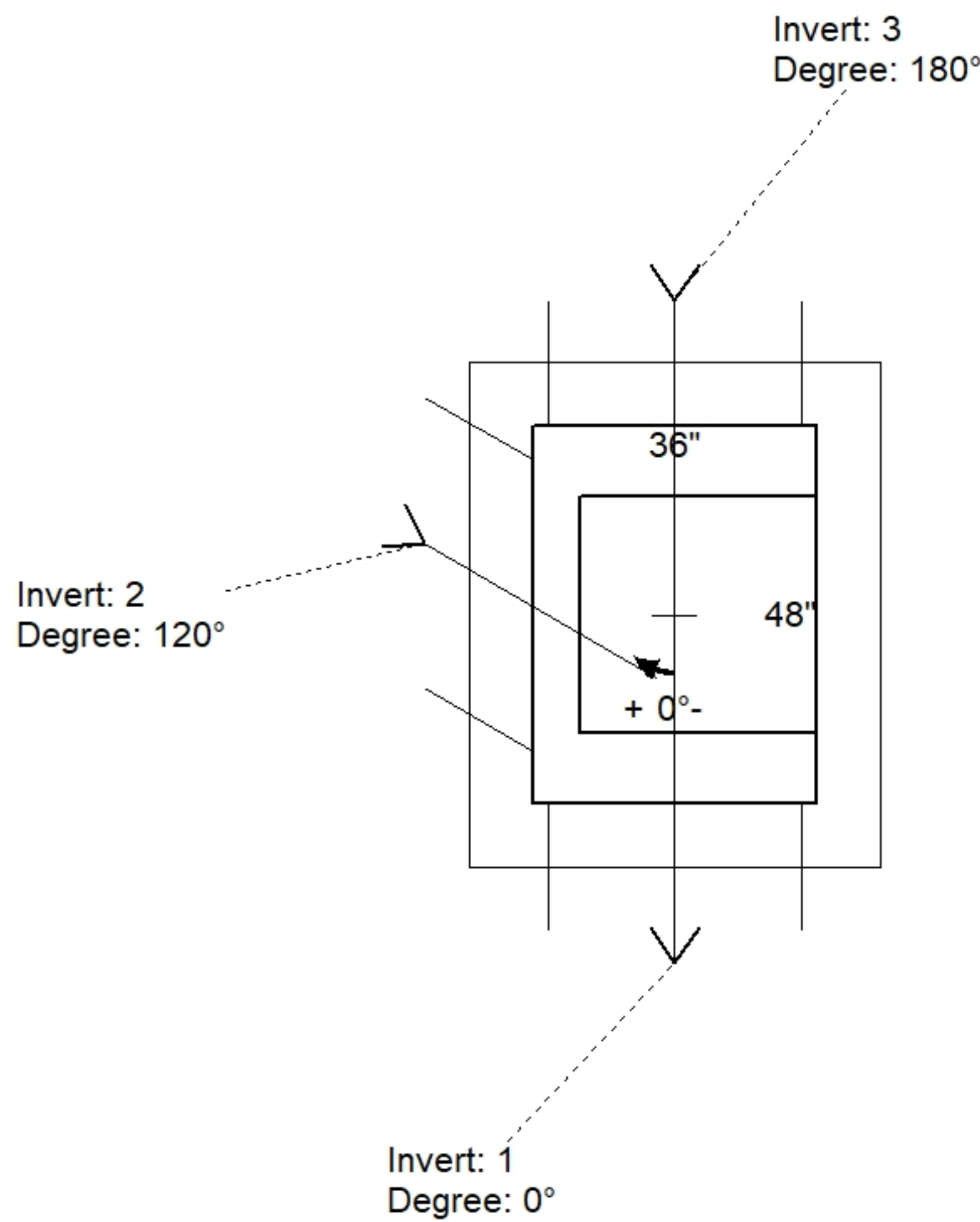
**Structure Notes:**

1. PER ASTM C913 SPECIFICATIONS.
2. CONCRETE = 4,000 PSI AT 28 DAYS.
3. NO STEPS AND NO INVERT CHANNEL.
4. CASTING BY ICAST (JBS 4315 F/G).

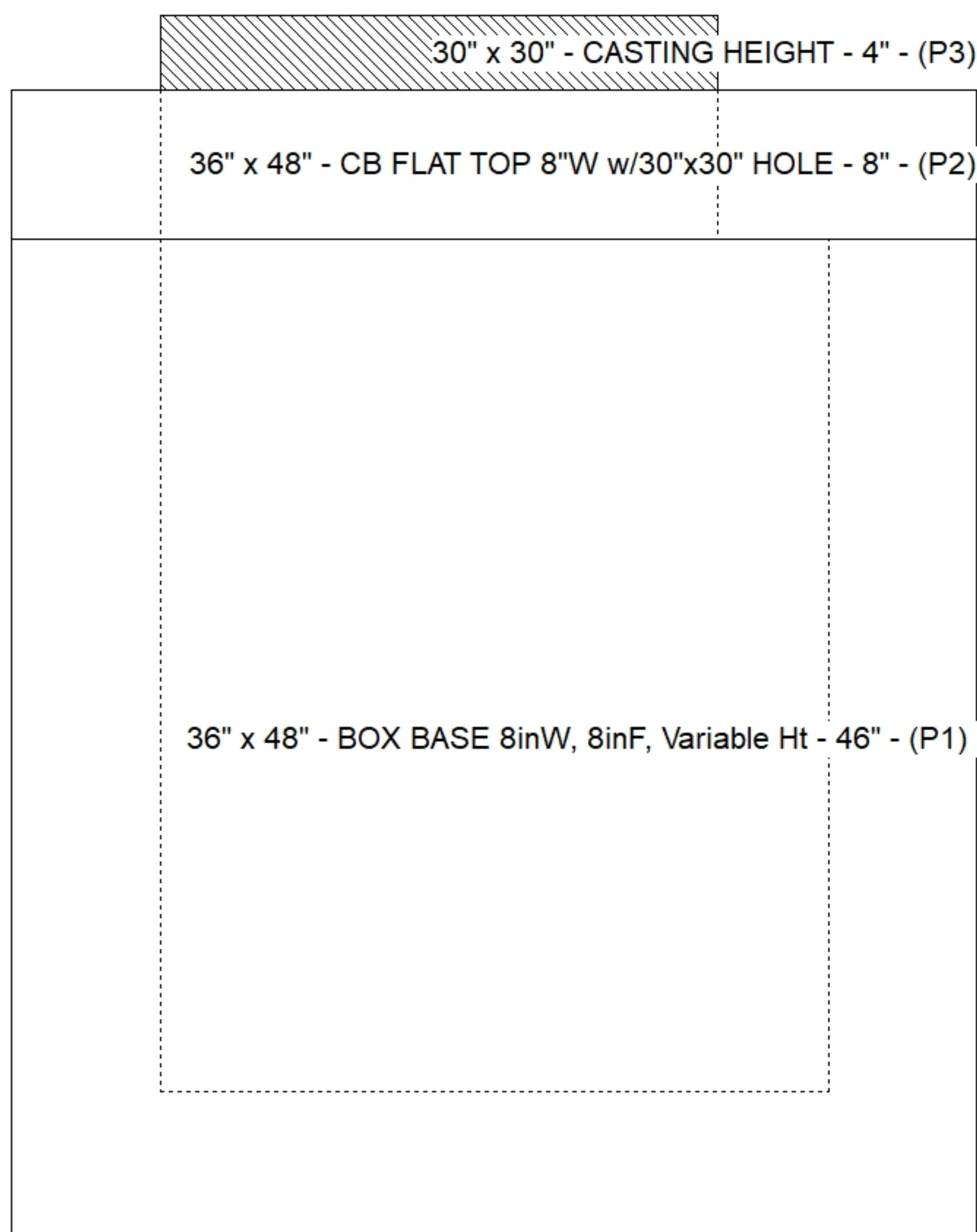
REINFORCING PER ASTM A615 (GRADE 60).  
 - TOP SLAB (As .62) #5 BARS AT 6" C.C.E.W.  
 - WALLS (As .12) #5 BARS AT 12" C.C.E.W.  
 - FLOOR (As .12) #5 BARS AT 12" C.C.E.W.

**STRUCTURE SUMMARY:**

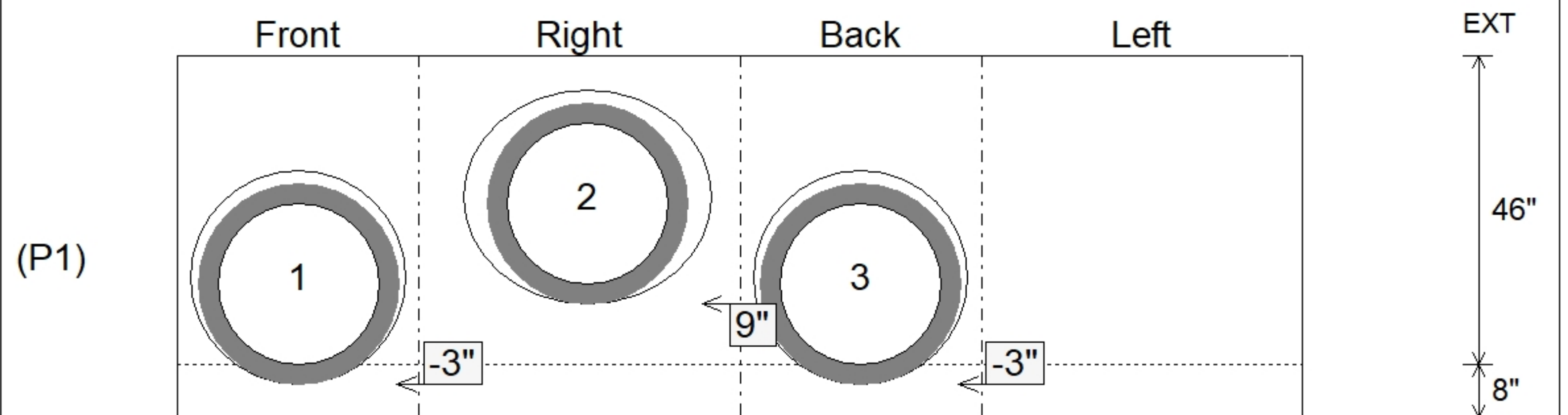
P3) 30" x 30" - CASTING HEIGHT - 4"	0 lb
P2) 36" x 48" - CB FLAT TOP 8"W w/30"x30" HOLE - 8"	1630 lb
P1) 36" x 48" - BOX BASE 8inW, 8inF, Variable Ht - 46"	6707 lb
1) CASTING - JBS 4315 F/G	500 lb
1) 36" x 48" - Conseal CS-102 1.00"	0 lb
1) 30" x 30" - Conseal CS-102 1.00"	0 lb
3) Hole - 32	0 lb
<b>Structure Total:</b>	<b>8837 lb</b>



Position	Elev	Angle	Pipe	Pipe OD	Hole	Connector	Up ( )	Ref
Rim	556.44'							
Reducer								
Invert 1	551.55'	0°	24" RCP B WALL	30"	32"	Hole 32	-3"	P1
Invert 2	552.55'	120°	24" RCP B WALL	30"	32"	Hole 32	9"	P1
Invert 3	551.55'	180°	24" RCP B WALL	30"	32"	Hole 32	-3"	P1
Invert 4								
Invert 5								
Invert 6								
Invert 7								
Invert 8								



**Default - Interior Dimensions**



Submittal Drawing  
 4/20/2026 9:47:05 AM

SUBMITTAL  
 APPROVED BY: