

Job Name: 26-1303 - Hale Ave & Woods Ferry Rd. Stormwater
Job Location: Gallatin, TN 37066
Contractor: Stewart Richey

PC: T. Lewis
 TECH: Jared - F
 Plant: 100



Structure ID: 114-6 ST-CI
 Spec: Storm
 Type: STM.MH
 Size: 48"

Rim: 559.18'
 Invert: 550.62'
 Rim to Invert: 8.56'

Sump: 3"
 Floor (Top): 550.37'
 Floor Height: 6"

Floor (Bot): 549.87'
 Overall Height: 9.125'
 Slack: 2.22"

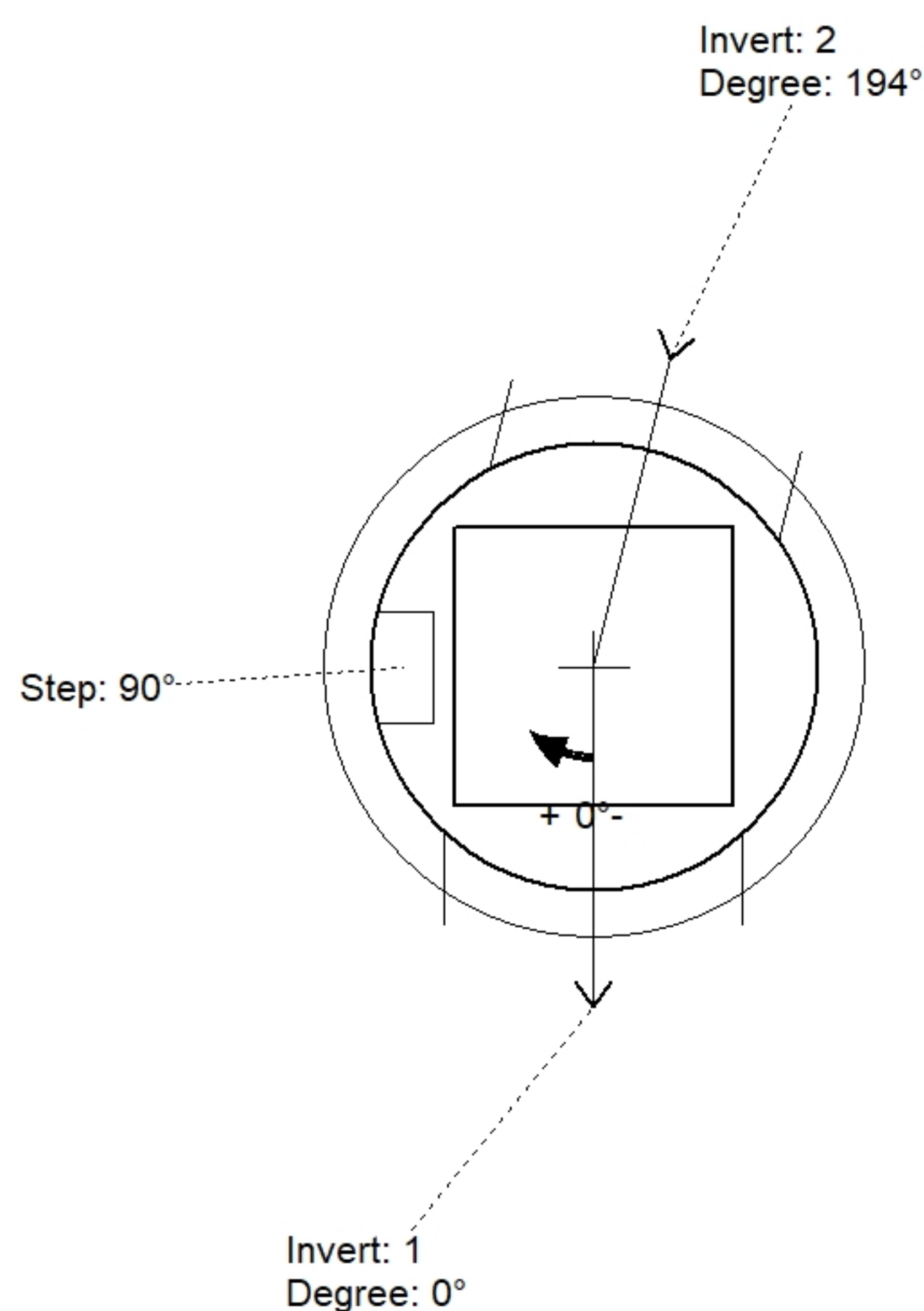
Structure Notes:

1. PER ASTM C478 SPECIFICATIONS.
2. CONCRETE = 4,000 PSI AT 28 DAYS.
3. NO INVERT CHANNEL.
4. CASTING BY ICAST (JBS 3300 F/G/H - SINGLE CURB INLET).

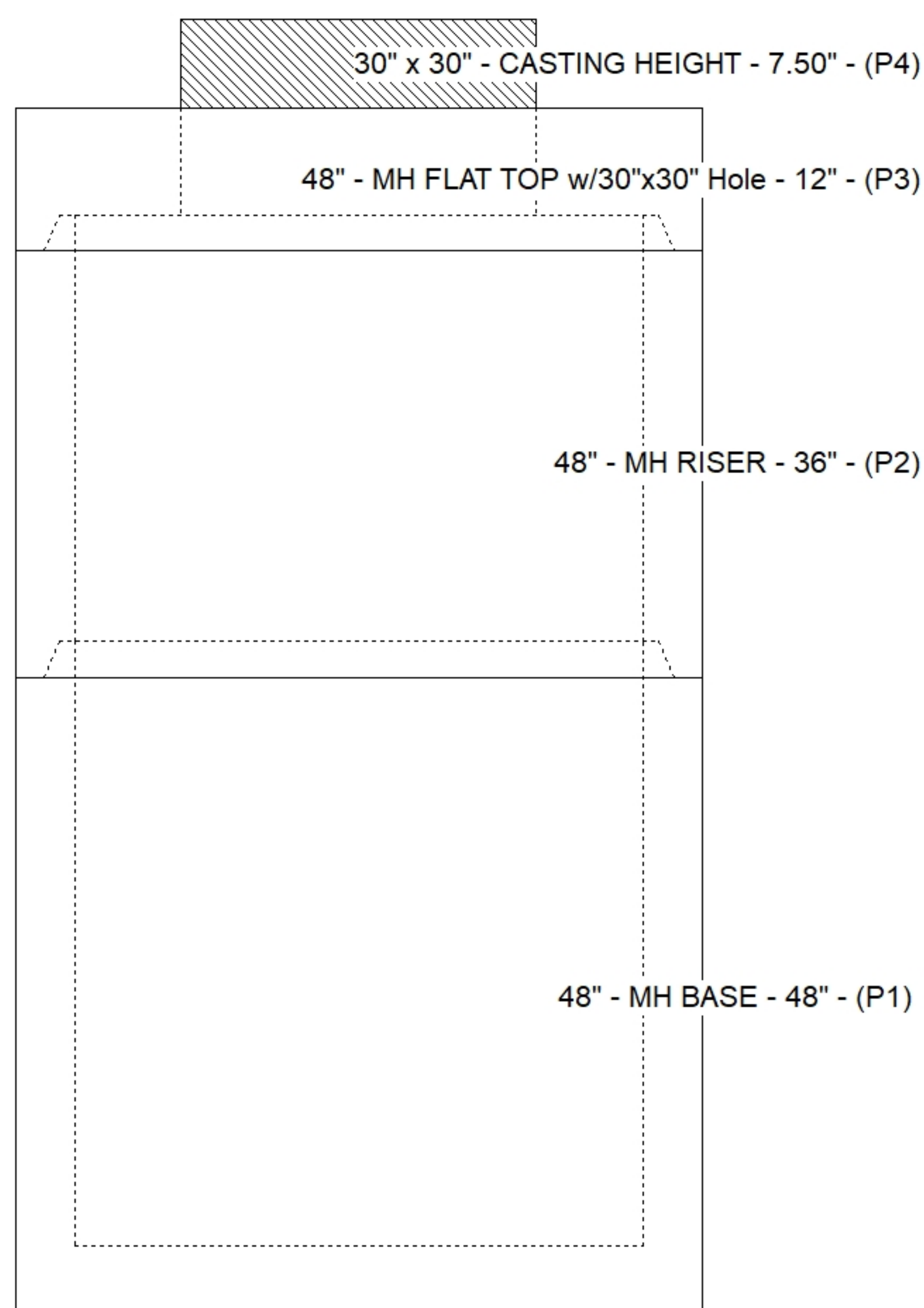
REINFORCING PER ASTM A615 (GRADE 60).
 - TOP SLAB (As .62) #5 BARS AT 6" C.C.E.W..
 - RISER/WALLS (As .12)
 - FLOOR (As .31) #5 BARS AT 12" C.C.E.W.

STRUCTURE SUMMARY:

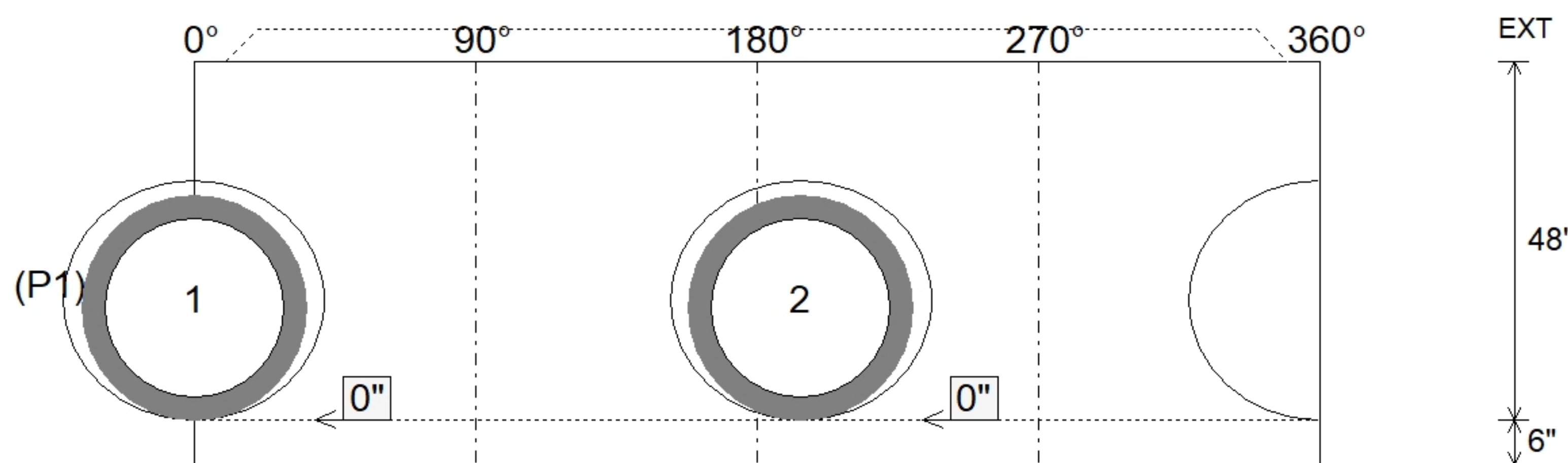
P4) 30" x 30" - CASTING HEIGHT - 7.50"	0 lb
P3) 48" - MH FLAT TOP w/30"x30" Hole - 12"	1350 lb
P2) 48" - MH RISER - 36"	2515 lb
P1) 48" - MH BASE - 48"	3957 lb
1) CASTING - JBS 3300 F/G/H - Single Curb Inlet	250 lb
2) 48" - Conseal CS-102 1.00"	0 lb
1) 30" x 30" - Conseal CS-102 1.00"	0 lb
2) Hole - 32	0 lb
7) MH Step ML-10-TDS-NCR - 10"	0 lb
Structure Total:	8072 lb



Position	Elev	Angle	Pipe	Pipe OD	Hole	Connector	Up ()	Ref
Rim	559.18'							
Reducer								
Invert 1	550.62'	0°	24" RCP B WALL	30"	32"	Hole 32	0"	P1
Invert 2	550.62'	194°	24" RCP B WALL	30"	32"	Hole 32	0"	P1
Invert 3								
Invert 4								
Invert 5								
Invert 6								
Invert 7								
Invert 8								



Default - Interior Dimensions



Submittal Drawing
 4/20/2026 9:47:05 AM

SUBMITTAL
 APPROVED BY: