

Job Name: 26-1303 - Hale Ave & Woods Ferry Rd. Stormwater
Job Location: Gallatin, TN 37066
Contractor: Stewart Richey

PC: T. Lewis
 TECH: Jared - F
 Plant: 100



Structure ID: 113-5 ST-MH

Spec: Storm
 Type: STM.MH
 Size: 48"

Rim: 560.1'
 Invert: 550.16'
 Rim to Invert: 9.94'

Sump: 3"
 Floor (Top): 549.91'
 Floor Height: 6"

Floor (Bot): 549.41'
 Overall Height: 10.583'
 Slack: 1.28"

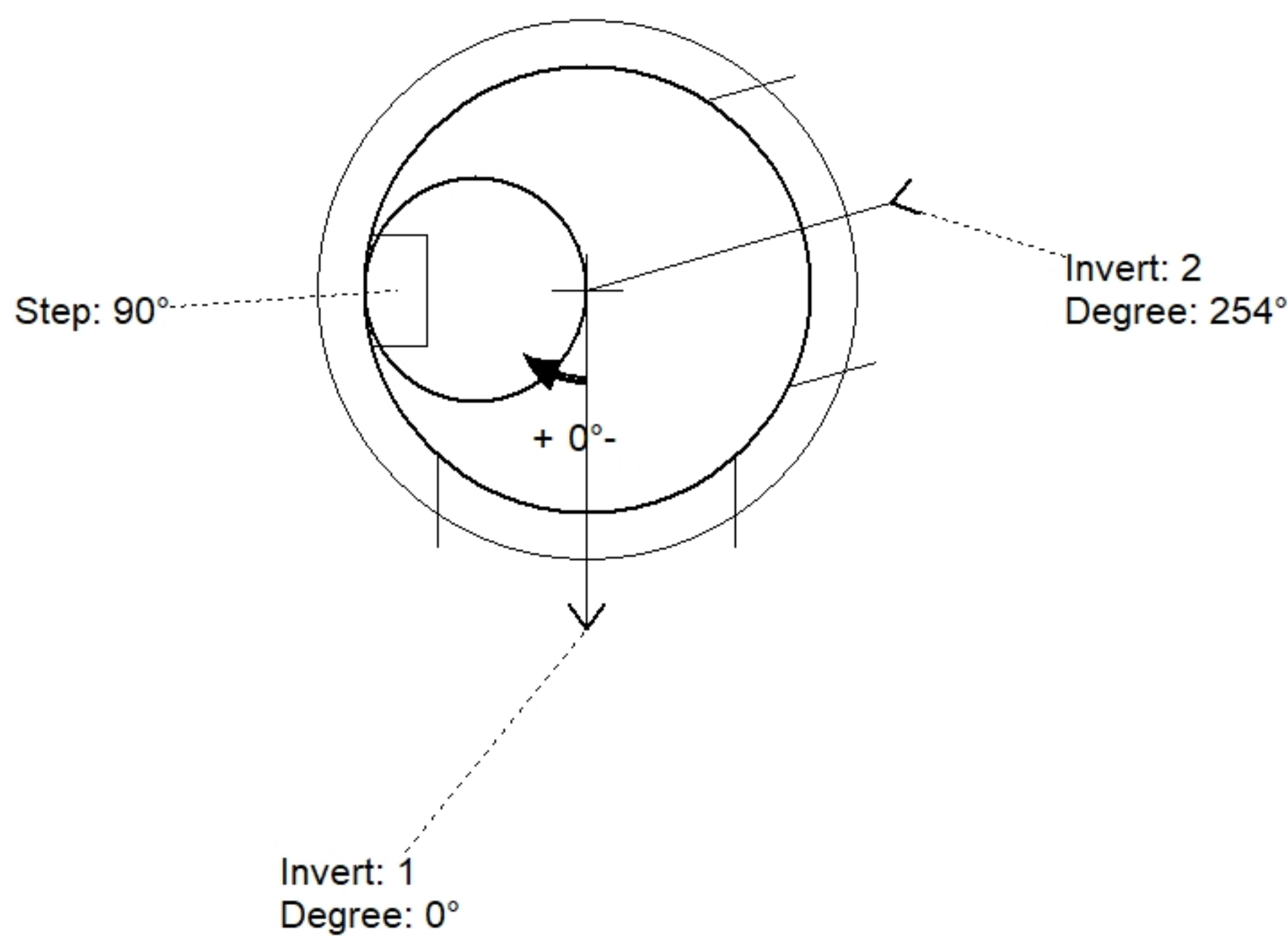
Structure Notes:

1. PER ASTM C478 SPECIFICATIONS.
2. CONCRETE = 4,000 PSI AT 28 DAYS.
3. NO INVERT CHANNEL.
4. CASTING BY ICAST (JBS 1150 F/C STORM).

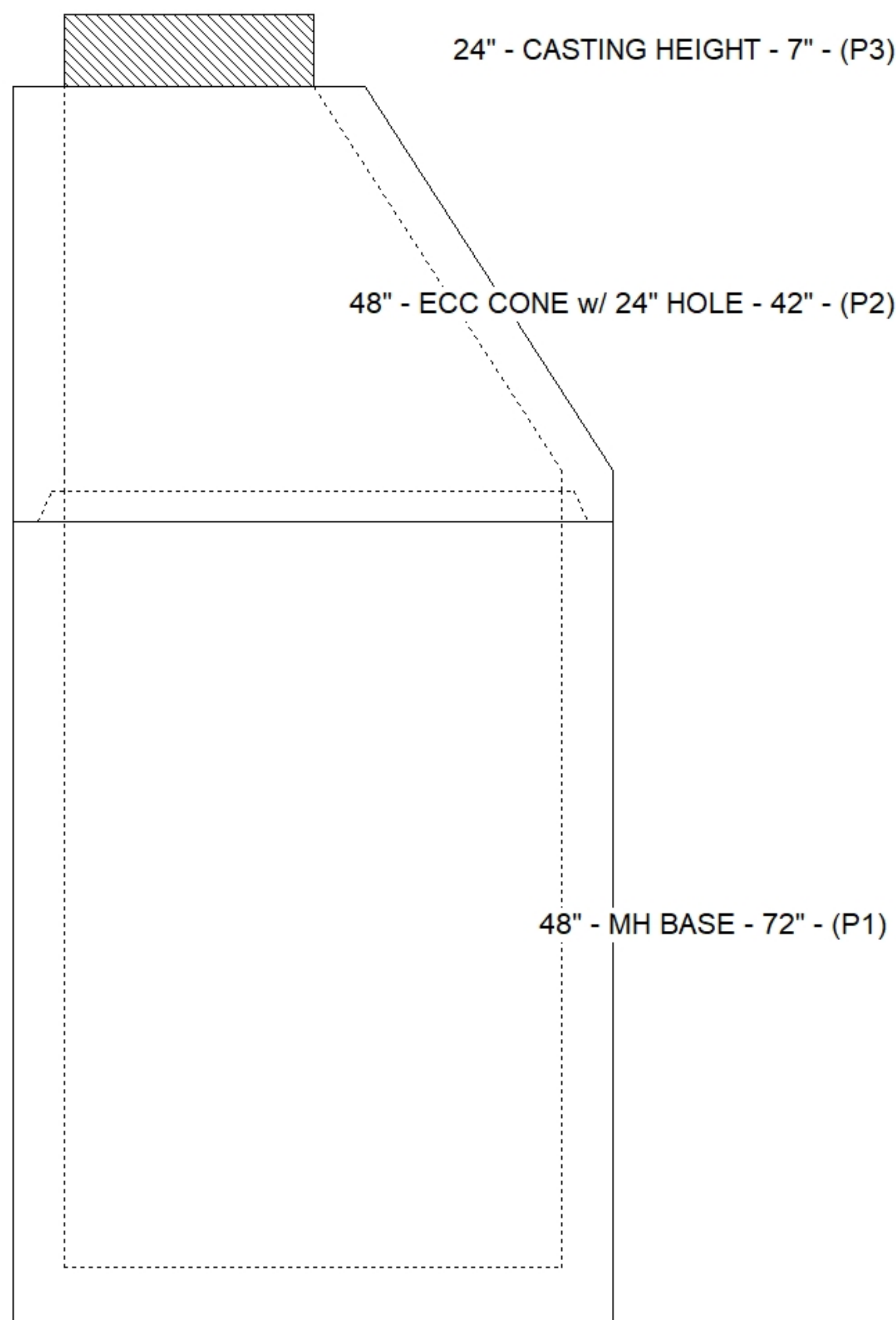
REINFORCING PER ASTM A615 (GRADE 60).
 - CONE (As .12)
 - RISER/WALLS (As .12)
 - FLOOR (As .31) #5 BARS AT 12" C.C.E.W.

STRUCTURE SUMMARY:

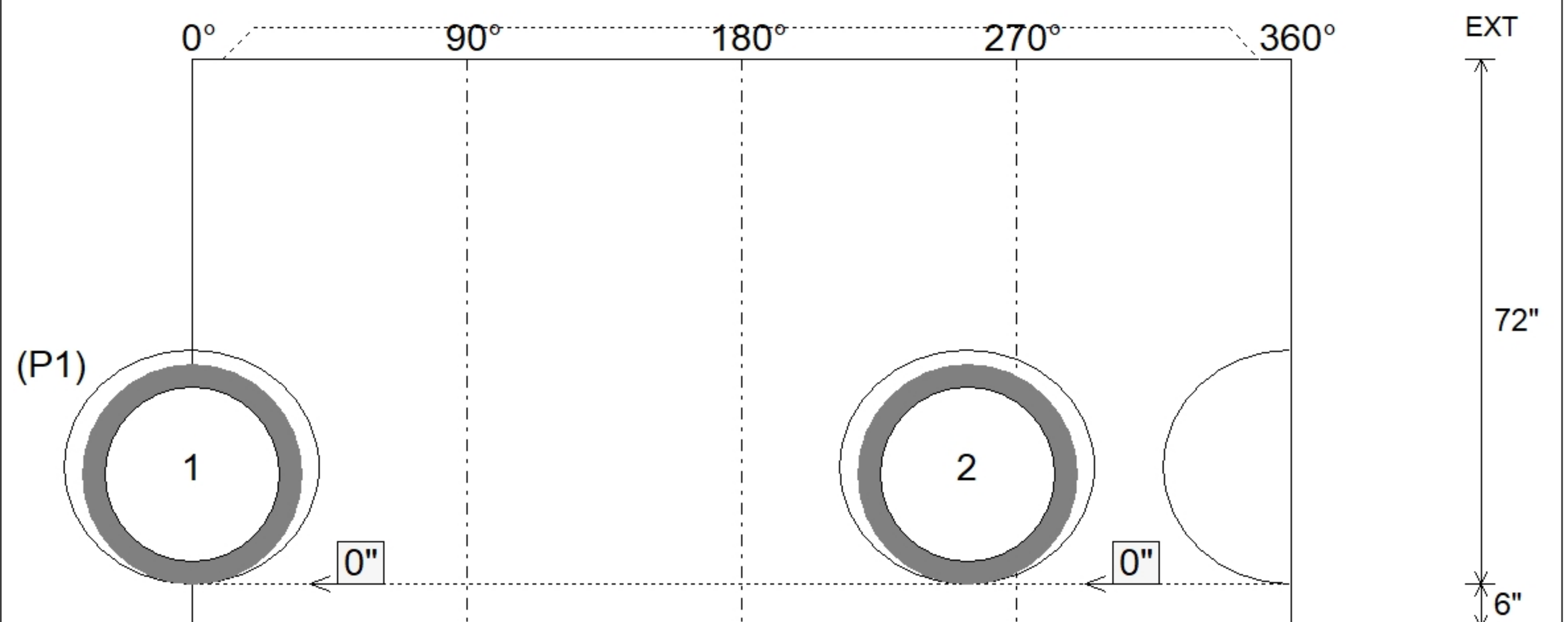
P3) 24" - CASTING HEIGHT - 7"	0 lb
P2) 48" - ECC CONE w/ 24" HOLE - 42"	3200 lb
P1) 48" - MH BASE - 72"	5633 lb
1) CASTING - JBS 1150 F/C STORM	250 lb
1) 48" - Conseal CS-102 1.00"	0 lb
2) Hole - 32	0 lb
6) MH Step ML-10-TDS-NCR - 10"	0 lb
Structure Total:	9083 lb



Position	Elev	Angle	Pipe	Pipe OD	Hole	Connector	Up ()	Ref
Rim	560.1'							
Reducer								
Invert 1	550.16'	0°	24" RCP B WALL	30"	32"	Hole 32	0"	P1
Invert 2	550.16'	254°	24" RCP B WALL	30"	32"	Hole 32	0"	P1
Invert 3								
Invert 4								
Invert 5								
Invert 6								
Invert 7								
Invert 8								



Default - Interior Dimensions



Submittal Drawing
 4/20/2026 9:47:04 AM

SUBMITTAL
 APPROVED BY: