

Job Name: 26-1303 - Hale Ave & Woods Ferry Rd. Stormwater  
 Job Location: Gallatin, TN 37066  
 Contractor: Stewart Richey

Plant: 100  
 4/13/2026 7:05:12 PM

Tech: Jared - F  
 PC: T. Lewis



**Structure ID: 113-5 ST-MH**

**P1 MH048BA72**

**MH BASE T/n**

- P3) 24" - CASTING HEIGHT - 7"
- P2) 48" - ECC CONE w/ 24" HOLE F/G - 42"
- P1) 48" - MH BASE T/n - 72"
- 1) CASTING - JBS 1150 F/C STORM
- 1) 48" - Conseal CS-102 1.00"
- 2) Hole - 32
- 6) MH Step ML-10-TDS-NCR - 10"

0 lb  
 3200 lb  
 5633 lb  
 250 lb  
 0 lb  
 0 lb  
 0 lb  
 -----  
 Structure Total: 9083 lb

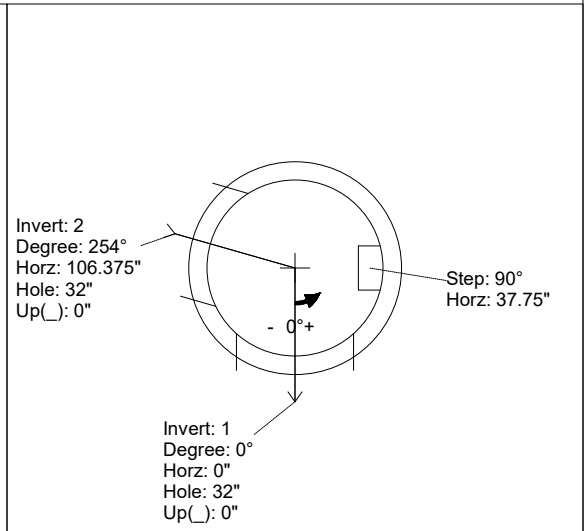
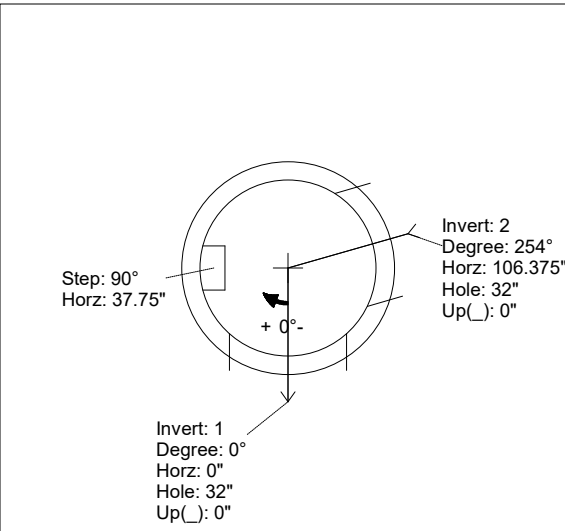
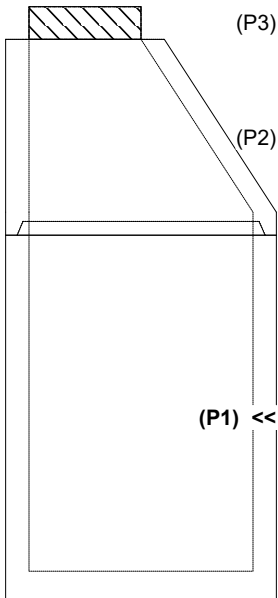
**Structure Notes:**  
 1. PER ASTM C478 SPECIFICATIONS.  
 2. CONCRETE = 4,000 PSI AT 28 DAYS.  
 3. NO INVERT CHANNEL.  
 4. CASTING BY ICAST (JBS 1150 F/C STORM).  
 REINFORCING PER ASTM A615 (GRADE 60).  
 - CONE (As .12)  
 - RISER/WALLS (As .12)  
 - FLOOR (As .31) #5 BARS AT 12" C.C.E.W.

Rim: 560.1' Rim to Invert: 9.94' Slack: 1.28" Sump: 3" Step Position: 90

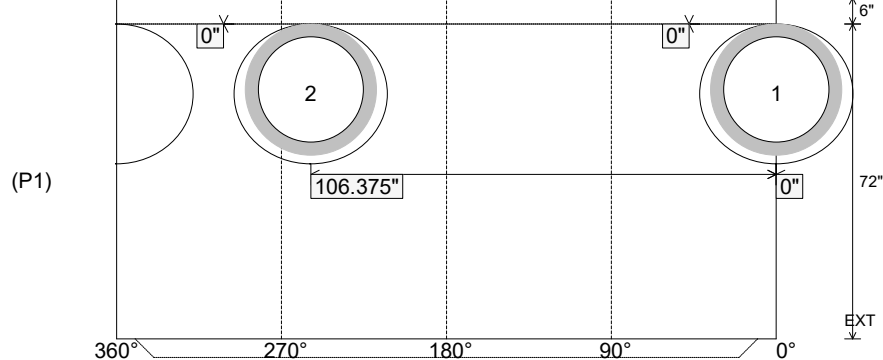
Position	Elev	Angle	Ext. (cw)	Pipe	Pipe OD	Connector	Hole	Horz Size	Up ( )	Offset
Invert 1	550.16'	0°	0"	24" RCP B WALL	30"	Hole 32	32"	35.027"	0"	0"
Invert 2	550.16'	254°	128.5"	24" RCP B WALL	30"	Hole 32	32"	35.027"	0"	0"
Invert 3										
Invert 4										
Invert 5										
Invert 6										
Invert 7										
Invert 8										

RIGHT-SIDE UP VIEW (int. dimensions)

UPSIDE-DOWN VIEW (int. dimenions)



INSIDE WALL DIMENSIONS



Coating (Int):  
 Coating (Ext):

Seam Up: Tongue  
 Seam Dn: n/a

Wall Thickness: 5"  
 Floor Height: 6"

Height (Int): 72"  
 Height (Ext): 78"

Weight (Net): 5633 lb  
 Volume (Net): 1.44cu.yd