

**Job Name: 26-1303 - Hale Ave & Woods Ferry Rd. Stormwater**  
**Job Location: Gallatin, TN 37066**  
**Contractor: Stewart Richey**

PC: T. Lewis  
 TECH: Jared - F  
 Plant: 100



Structure ID: 112-4 ST-CI

Spec: Storm  
 Type: STM.MH  
 Size: 48"

Rim: 555.55'  
 Invert: 548.55'  
 Rim to Invert: 7'

Sump: 3"  
 Floor (Top): 548.3'  
 Floor Height: 6"

Floor (Bot): 547.8'  
 Overall Height: 7.708'  
 Slack: 0.5"

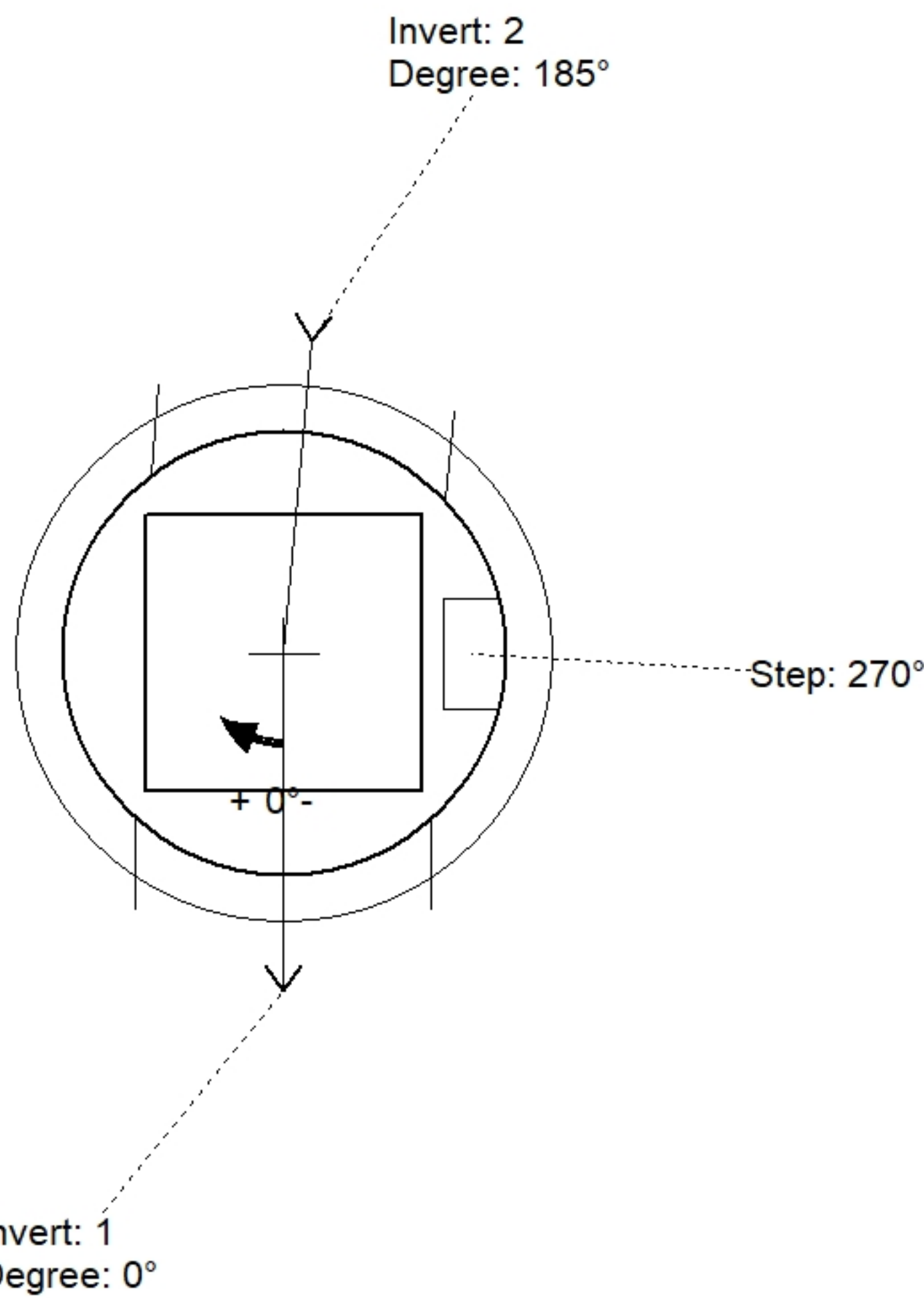
**Structure Notes:**

1. PER ASTM C478 SPECIFICATIONS.
2. CONCRETE = 4,000 PSI AT 28 DAYS.
3. NO INVERT CHANNEL.
4. CASTING BY ICAST (JBS 3300 F/G/H - SINGLE CURB INLET).

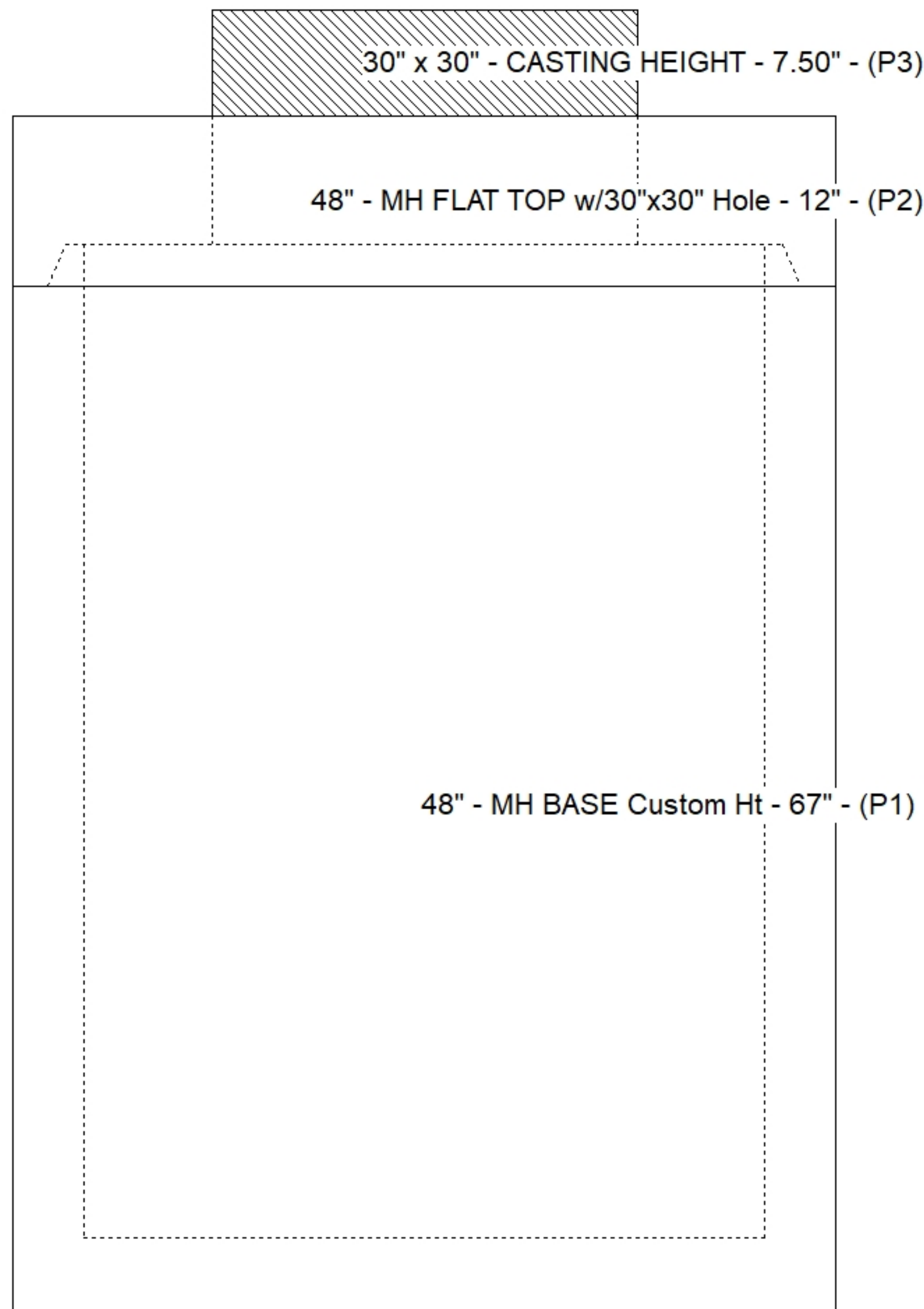
REINFORCING PER ASTM A615 (GRADE 60).  
 - TOP SLAB (As .62) #5 BARS AT 6" C.C.E.W..  
 - RISER/WALLS (As .12)  
 - FLOOR (As .31) #5 BARS AT 12" C.C.E.W.

**STRUCTURE SUMMARY:**

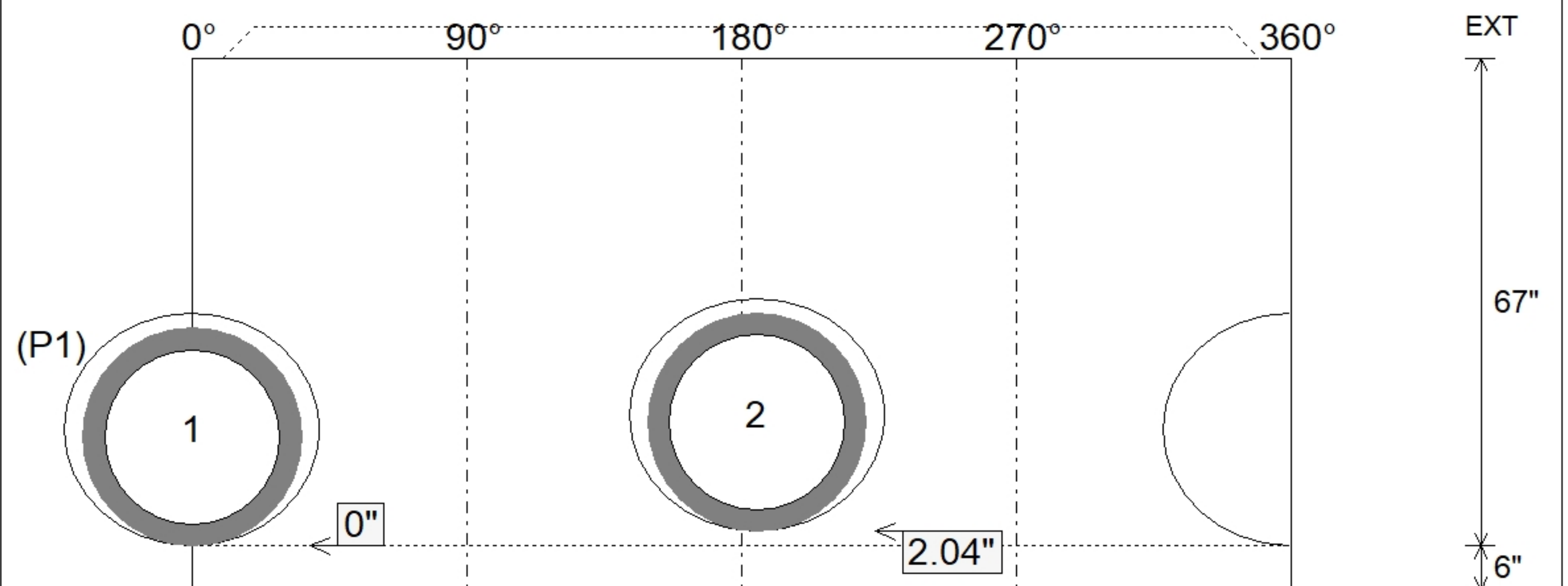
|   |                |
|---|----------------|
| P3) 30" x 30" - CASTING HEIGHT - 7.50"          | 0 lb           |
| P2) 48" - MH FLAT TOP w/30"x30" Hole - 12"      | 1350 lb        |
| P1) 48" - MH BASE Custom Ht - 67"               | 5284 lb        |
| 1) CASTING - JBS 3300 F/G/H - Single Curb Inlet | 250 lb         |
| 1) 48" - Conseal CS-102 1.00"                   | 0 lb           |
| 1) 30" x 30" - Conseal CS-102 1.00"             | 0 lb           |
| 2) Hole - 32                                    | 0 lb           |
| 5) MH Step ML-10-TDS-NCR - 10"                  | 0 lb           |
| <b>Structure Total:</b>                         | <b>6884 lb</b> |



| Position | Elev    | Angle | Pipe           | Pipe OD | Hole | Connector | Up (") | Ref |
|----------|---------|-------|----------------|---------|------|-----------|--------|-----|
| Rim      | 555.55' |       |                |         |      |           |        |     |
| Reducer  |         |       |                |         |      |           |        |     |
| Invert 1 | 548.55' | 0°    | 24" RCP B WALL | 30"     | 32"  | Hole 32   | 0"     | P1  |
| Invert 2 | 548.72' | 185°  | 24" RCP B WALL | 30"     | 32"  | Hole 32   | 2.04"  | P1  |
| Invert 3 |         |       |                |         |      |           |        |     |
| Invert 4 |         |       |                |         |      |           |        |     |
| Invert 5 |         |       |                |         |      |           |        |     |
| Invert 6 |         |       |                |         |      |           |        |     |
| Invert 7 |         |       |                |         |      |           |        |     |
| Invert 8 |         |       |                |         |      |           |        |     |



**Default - Interior Dimensions**



Submittal Drawing  
 4/20/2026 9:47:04 AM

SUBMITTAL  
 APPROVED BY: