

Job Name: 26-1303 - Hale Ave & Woods Ferry Rd. Stormwater
Job Location: Gallatin, TN 37066
Contractor: Stewart Richey

PC: T. Lewis
 TECH: Jared - F
 Plant: 100



Structure ID: 111-3 ST-CI

Spec: Storm
 Type: STM.MH (Recessed pipe)
 Size: 60"

Rim: 552.17'
 Invert: 545.72'
 Rim to Invert: 6.45'

Sump: 0"
 Floor (Top): 545.72'
 Floor Height: 8"

Floor (Bot): 545.053'
 Overall Height: 6.958'
 Slack: 1.9"

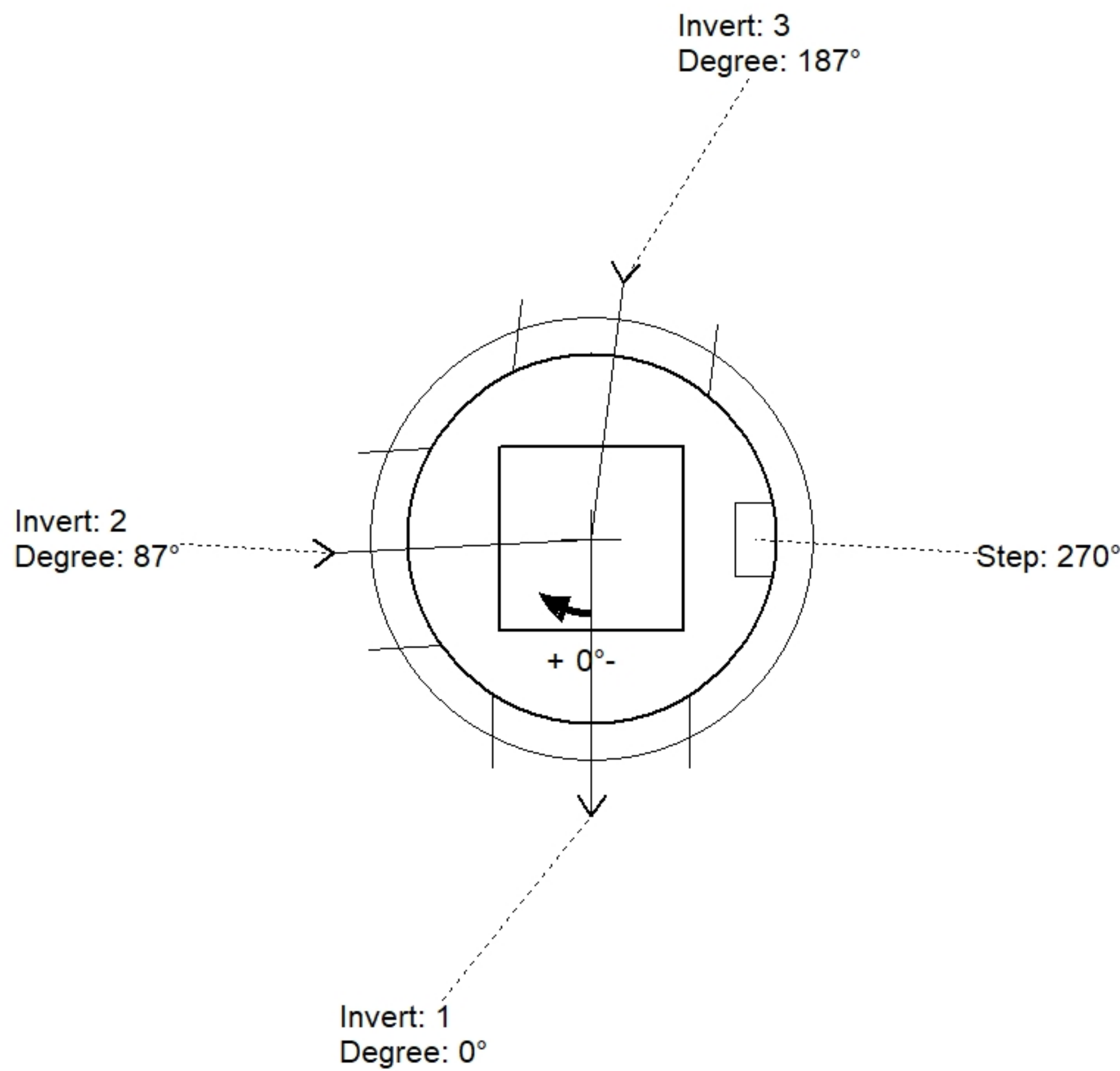
Structure Notes:

1. PER ASTM C478 SPECIFICATIONS.
2. CONCRETE = 4,000 PSI AT 28 DAYS.
3. NO INVERT CHANNEL.
4. CASTING BY ICAST (JBS 3300 F/G/H - SINGLE CURB INLET).

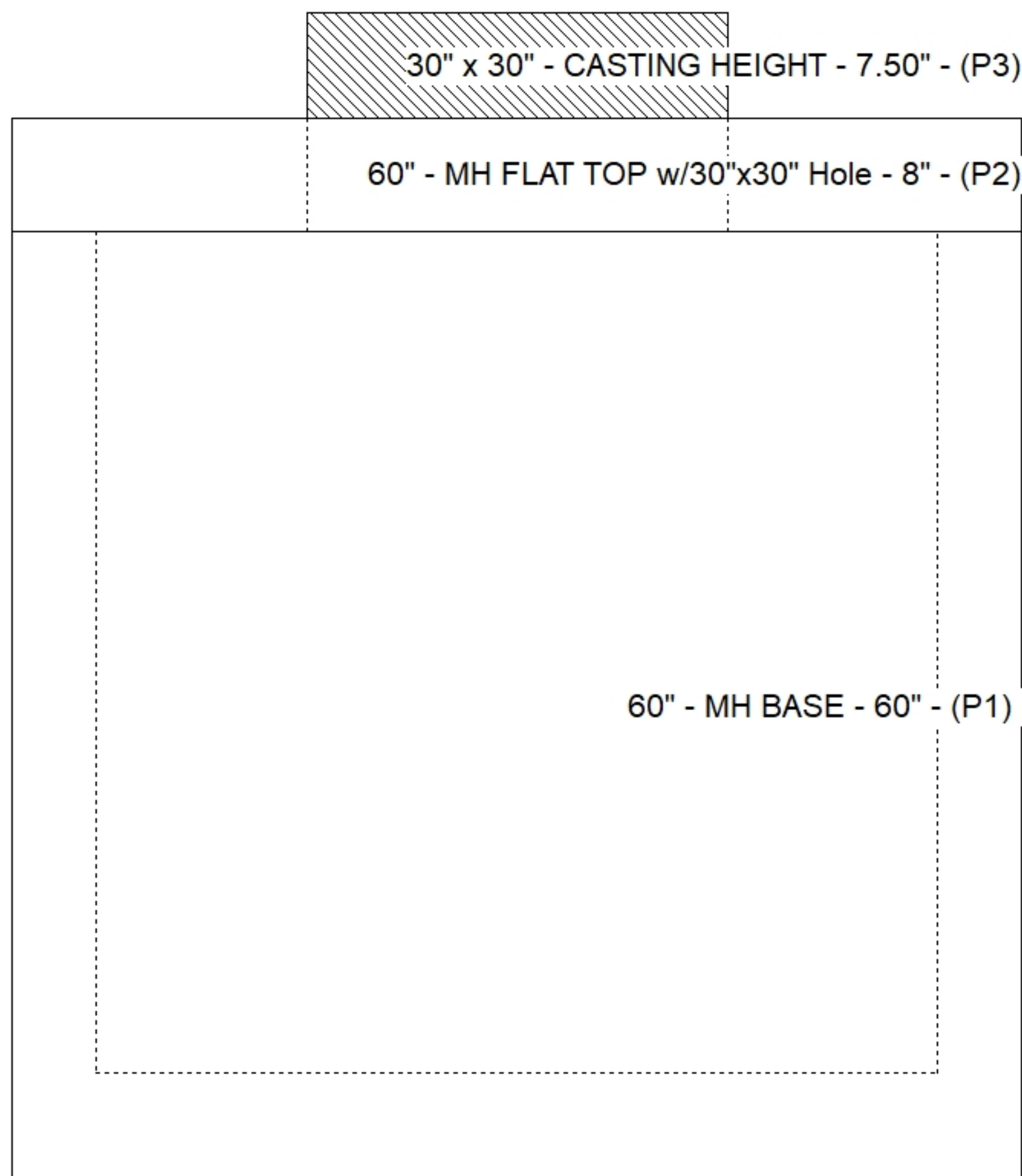
REINFORCING PER ASTM A615 (GRADE 60).
 - TOP SLAB (As .62) #5 BARS AT 6" C.C.E.W..
 - RISER/WALLS (As .18)
 - FLOOR (As .37) #5 BARS AT 10" C.C.E.W.

STRUCTURE SUMMARY:

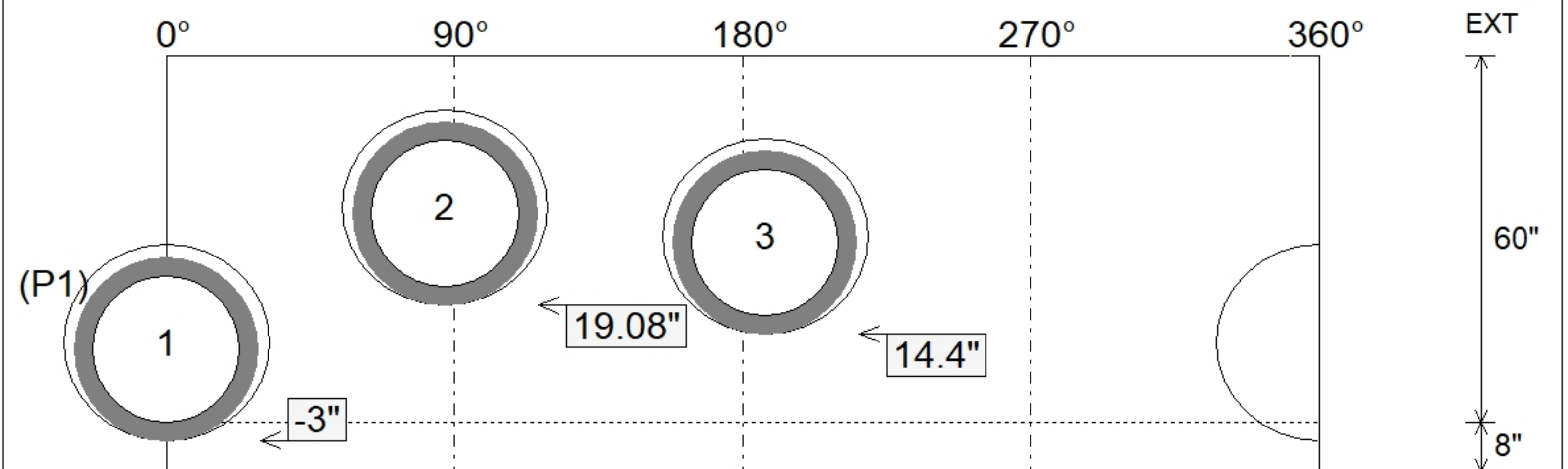
P3) 30" x 30" - CASTING HEIGHT - 7.50"	0 lb
P2) 60" - MH FLAT TOP w/30"x30" Hole - 8"	2239 lb
P1) 60" - MH BASE - 60"	7727 lb
1) CASTING - JBS 3300 F/G/H - Single Curb Inlet	250 lb
1) 60" - Conseal CS-102 1.00"	0 lb
1) 30" x 30" - Conseal CS-102 1.00"	0 lb
3) Hole - 32	0 lb
5) MH Step ML-10-TDS-NCR - 10"	0 lb
Structure Total:	10216 lb



Position	Elev	Angle	Pipe	Pipe OD	Hole	Connector	Up (")	Ref
Rim	552.17'							
Reducer								
Invert 1	545.72'	0°	24" RCP B WALL	30"	32"	Hole 32	-3"	P1
Invert 2	547.56'	87°	24" RCP B WALL	30"	32"	Hole 32	19.08"	P1
Invert 3	547.17'	187°	24" RCP B WALL	30"	32"	Hole 32	14.4"	P1
Invert 4								
Invert 5								
Invert 6								
Invert 7								
Invert 8								



Default - Interior Dimensions



Submittal Drawing
 4/20/2026 9:47:04 AM

SUBMITTAL
 APPROVED BY: