

Job Name: 26-1303 - Hale Ave & Woods Ferry Rd. Stormwater
 Job Location: Gallatin, TN 37066
 Contractor: Stewart Richey

Plant: 100
 4/13/2026 7:05:10 PM

Tech: Jared - F
 PC: T. Lewis



Structure ID: 111-3 ST-CI

P1 MH060BA60

MH BASE F/n

- P3) 30" x 30" - CASTING HEIGHT - 7.50"
- P2) 60" - MH FLAT TOP w/30"x30" Hole F/F - 8"
- P1) 60" - MH BASE F/n - 60"
- 1) CASTING - JBS 3300 F/G/H - Single Curb Inlet
- 1) 60" - Conseal CS-102 1.00"
- 1) 30" x 30" - Conseal CS-102 1.00"
- 3) Hole - 32
- 5) MH Step ML-10-TDS-NCR - 10"

0 lb
 2239 lb
 7727 lb
 250 lb
 0 lb
 0 lb
 0 lb
 0 lb
 0 lb
 Structure Total: 10216 lb

- Structure Notes:**
1. PER ASTM C478 SPECIFICATIONS.
 2. CONCRETE = 4,000 PSI AT 28 DAYS.
 3. NO INVERT CHANNEL.
 4. CASTING BY ICAST (JBS 3300 F/G/H - SINGLE CURB INLET).

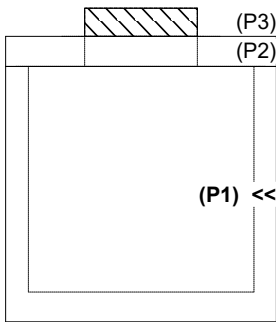
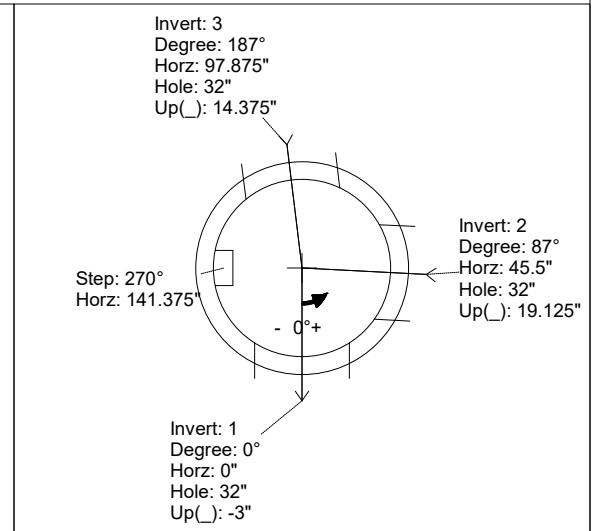
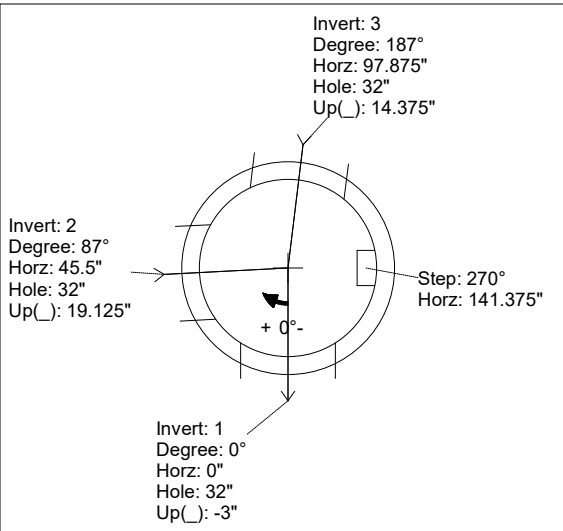
REINFORCING PER ASTM A615 (GRADE 60).
 - TOP SLAB (As .62) #5 BARS AT 6" C.C.E.W..
 - RISER/WALLS (As .18)
 - FLOOR (As .37) #5 BARS AT 10" C.C.E.W.

Rim: 552.17' Rim to Invert: 6.45' Slack: 1.9" Sump: 0" Step Position: 270°

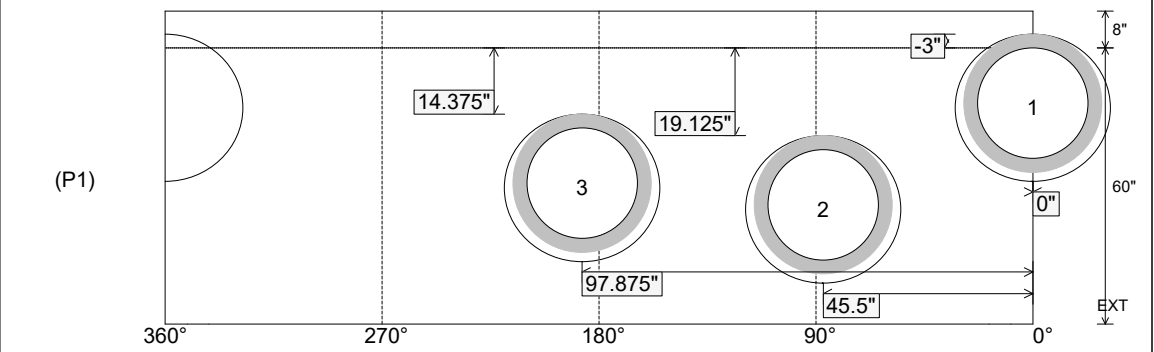
Position	Elev	Angle	Ext. (cw)	Pipe	Pipe OD	Connector	Hole	Horz Size	Up ()	Offset
Invert 1	545.72'	0°	0"	24" RCP B WALL	30"	Hole 32	32"	33.752"	-3"	0"
Invert 2	547.56'	87°	54.625"	24" RCP B WALL	30"	Hole 32	32"	33.752"	19.125"	0"
Invert 3	547.17'	187°	117.5"	24" RCP B WALL	30"	Hole 32	32"	33.752"	14.375"	0"
Invert 4										
Invert 5										
Invert 6										
Invert 7										
Invert 8										

RIGHT-SIDE UP VIEW (int. dimensions)

UPSIDE-DOWN VIEW (int. dimensions)



INSIDE WALL DIMENSIONS



Coating (Int):
 Coating (Ext):

Seam Up: Flat
 Seam Dn: n/a

Wall Thickness: 6"
 Floor Height: 8"

Height (Int): 60"
 Height (Ext): 68"

Weight (Net): 7727 lb
 Volume (Net): 1.97cu.yd