

**Job Name: 26-1301 WCSC New Pre-K Classroom Addition**  
**Job Location: Newburgh, IN**  
**Contractor: Hahn Excavating, Inc.**

PC: E. Bradley  
 TECH: S. Felletter  
 Plant: Beaver Dam



Structure ID: **Str. 9-10 ST-CI**

Spec: Storm  
 Type: BX 8inW, 8inF  
 Size: 24" x 36"

Rim: 445.06'  
 Invert: 441.49'  
 Rim to Invert: 3.57'

Sump: 6"  
 Floor (Top): 440.99'  
 Floor Height: 8"

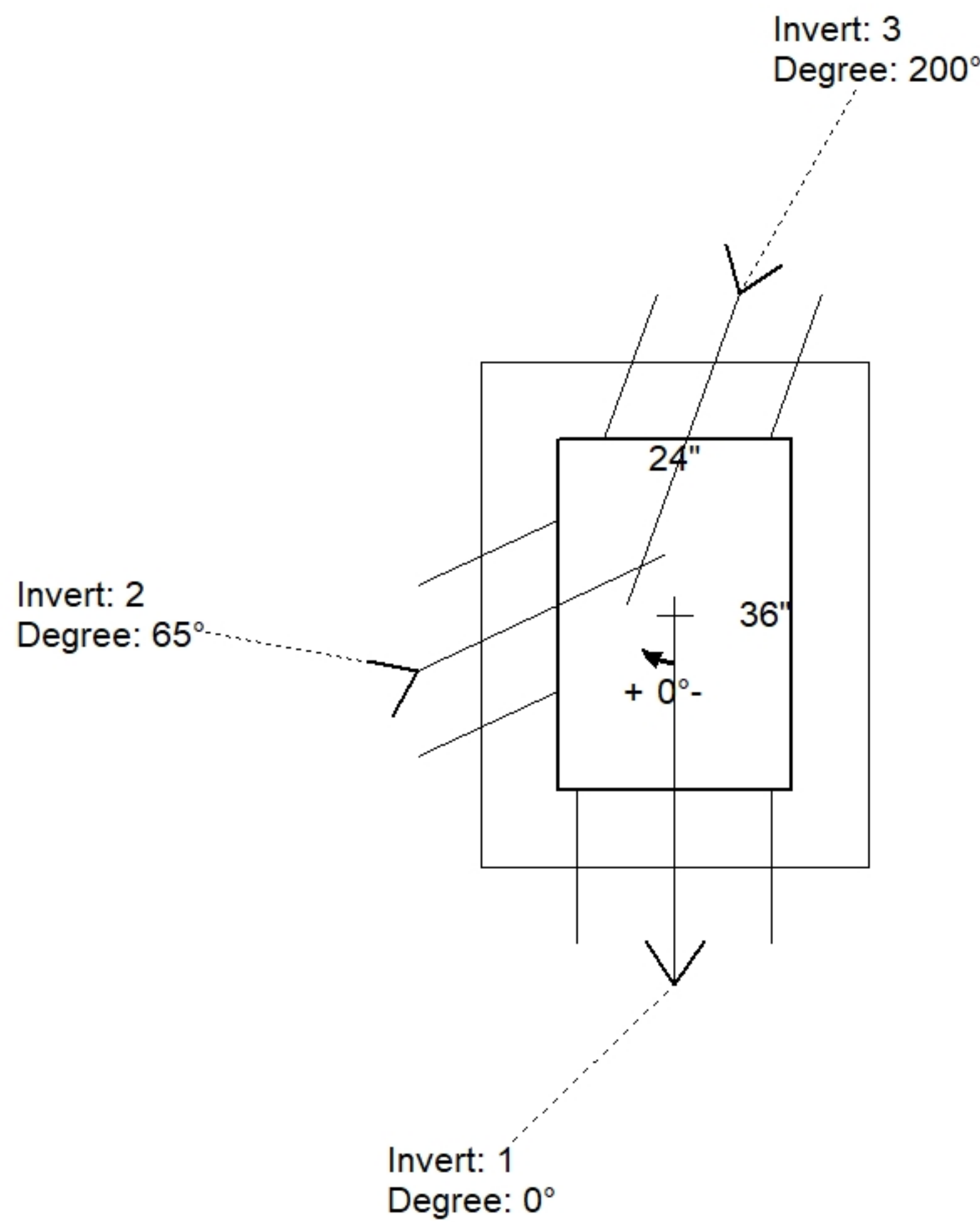
Floor (Bot): 440.323'  
 Overall Height: 4.667'  
 Slack: 0.84"

**Structure Notes:**

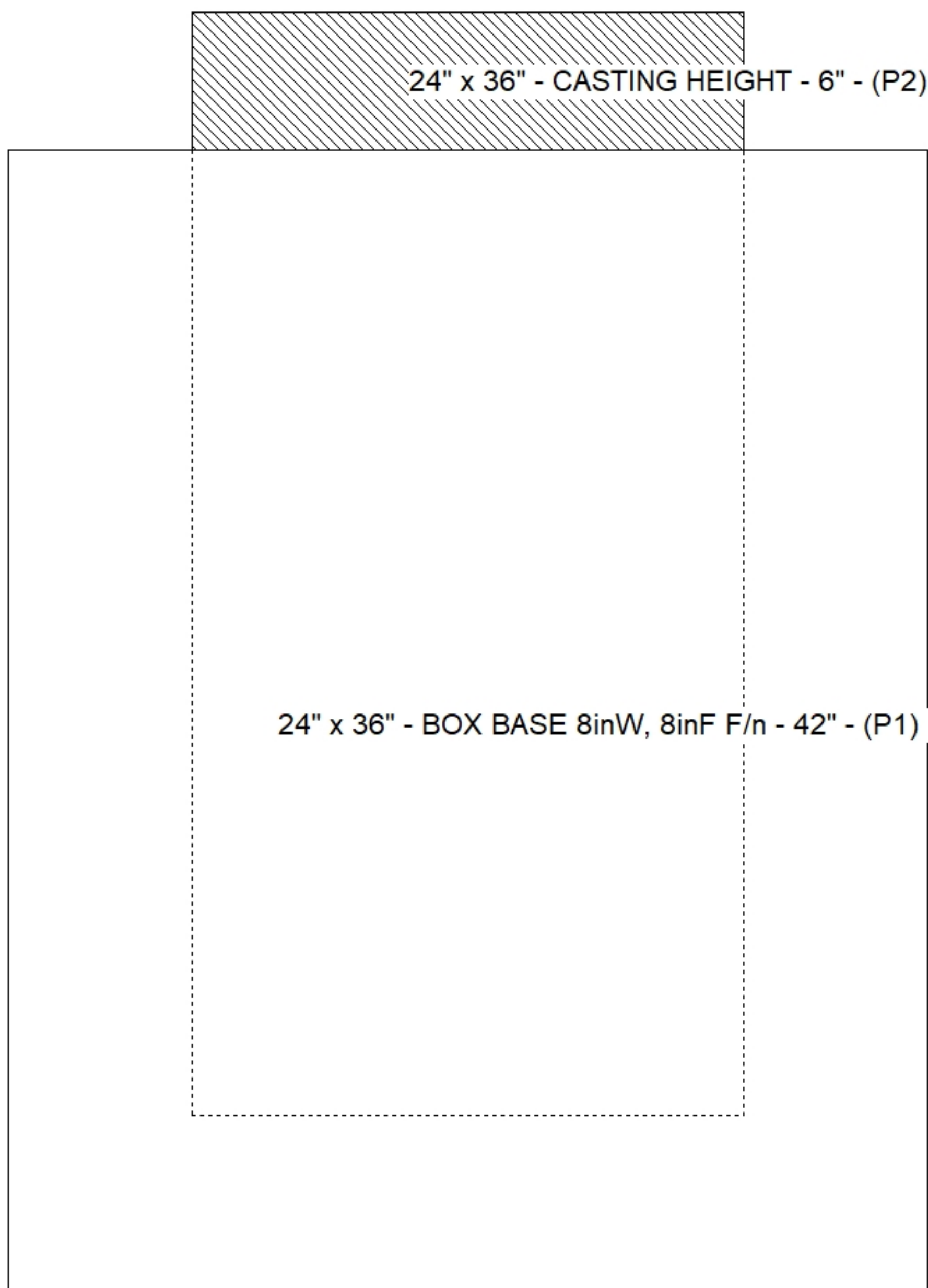
- PER ASTM C913 SPECIFICATIONS.
  - CONCRETE = 4,000 PSI AT 28 DAYS.
  - NO INVERT CHANNEL.
  - CASTING BY ICAST (HOE 525 FLAT SET).
- REINFORCING PER ASTM A615 (GRADE 60).  
 - WALLS (As .12) #5 BARS AT 12" C.C.E.W.  
 - FLOOR (As .12) #5 BARS AT 12" C.C.E.W.

**STRUCTURE SUMMARY:**

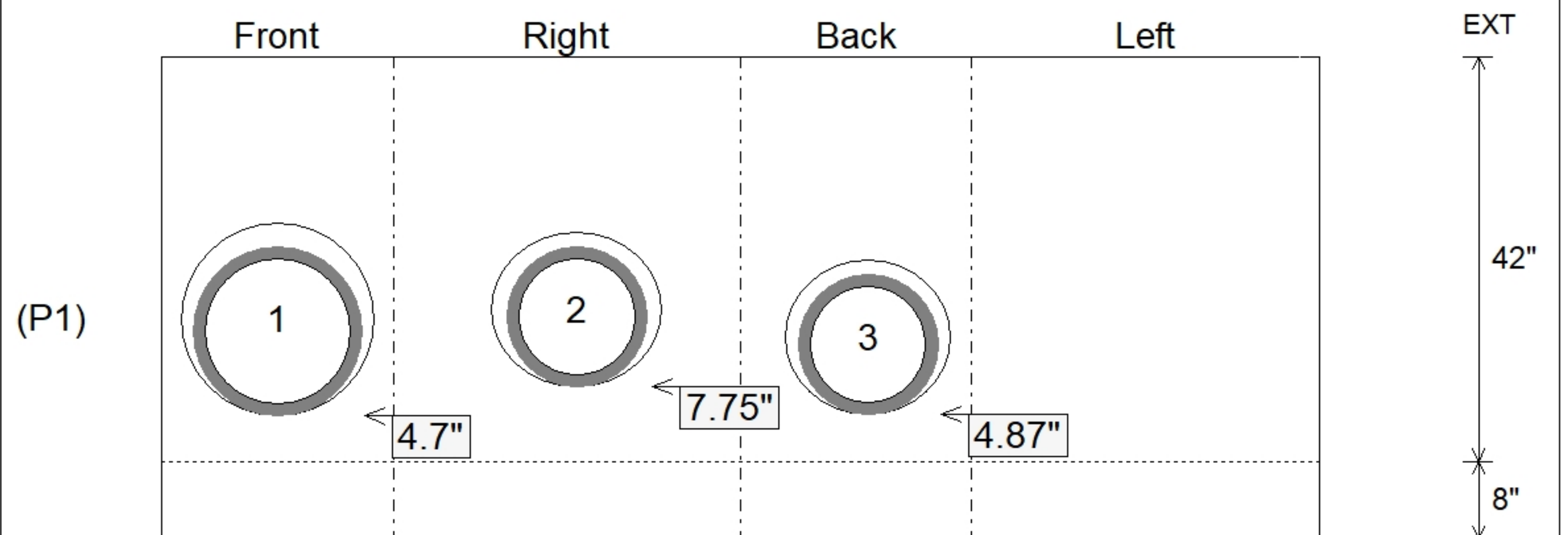
P2) 24" x 36" - CASTING HEIGHT - 6"	0 lb
P1) 24" x 36" - BOX BASE 8inW, 8inF F/n - 42"	5178 lb
1) CASTING - HOE 525 SET FLAT GRATE (F/G/H)	442 lb
1) 24" x 36" - Conseal CS-102 1.00"	0 lb
1) Hole - 20	0 lb
2) Hole - 16	0 lb
<b>Structure Total:</b>	<b>5620 lb</b>



Position	Elev	Angle	Pipe	Pipe OD	Hole	Connector	Up (")	Ref
Rim	445.06'							
Reducer								
Invert 1	441.49'	0°	15" HDPE	17.6"	20"	Hole 20	4.7"	P1
Invert 2	441.74'	65°	12" HDPE	14.5"	16"	Hole 16	7.75"	P1
Invert 3	441.5'	200°	12" HDPE	14.5"	16"	Hole 16	4.87"	P1
Invert 4								
Invert 5								
Invert 6								
Invert 7								
Invert 8								



**Default - Interior Dimensions**



Submittal Drawing  
 3/24/2026 10:18:59 AM

SUBMITTAL  
 APPROVED BY: