

**Structure ID: Str. 9-10 ST-CI**

**P1 BX2436-08BA42**

**BOX BASE 8inW, 8inF F/n**

P2) 24" x 36" - CASTING HEIGHT - 6" P1) 24" x 36" - BOX BASE 8inW, 8inF F/n - 42" 1) CASTING - HOE 525 SET FLAT GRATE (F/G/H) 1) 24" x 36" - Conseal CS-102 1.00" 1) Hole - 20 2) Hole - 16	0 lb 5178 lb 442 lb 0 lb 0 lb 0 lb ----- Structure Total: 5620 lb
--	--

**Structure Notes:**

1. PER ASTM C913 SPECIFICATIONS.
2. CONCRETE = 4,000 PSI AT 28 DAYS.
3. NO INVERT CHANNEL.
4. CASTING BY ICAST (HOE 525 FLAT SET).

REINFORCING PER ASTM A615 (GRADE 60).

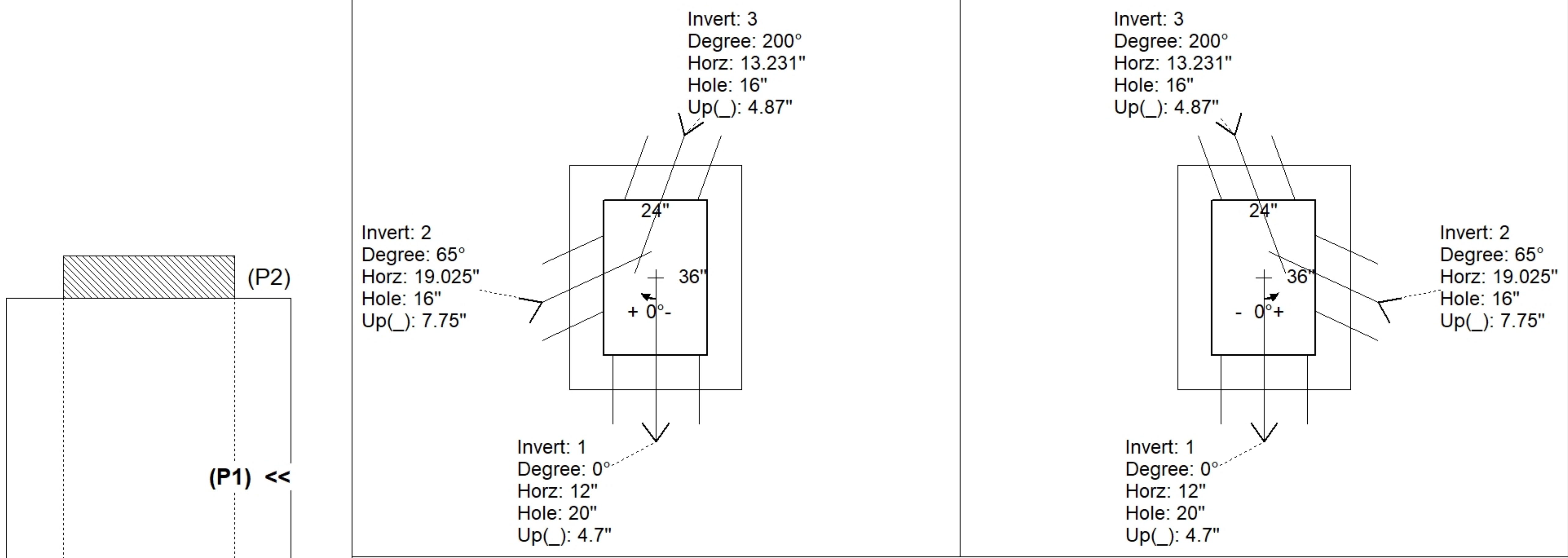
- WALLS (As .12) #5 BARS AT 12" C.C.E.W.
- FLOOR (As .12) #5 BARS AT 12" C.C.E.W.

Rim: 445.06'    Rim to Invert: 3.57'    Slack: 0.84"    Sump: 6"    Step Position:

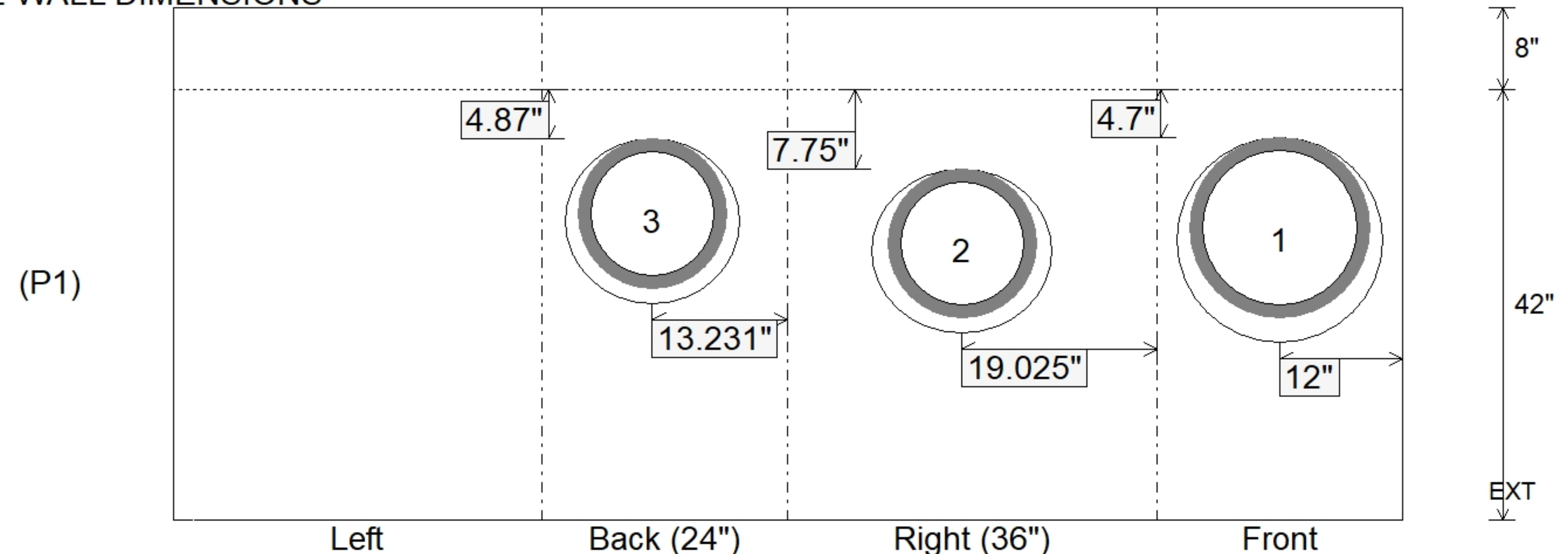
Position	Elev	Angle	Ext. (cw)	Pipe	Pipe OD	Connector	Hole	Horz Size	Up ( )	Offset
Invert 1	441.49'	0°	20"	15" HDPE	17.6"	Hole 20	20"	20"	4.7"	0"
Invert 2	441.74'	65°	23.294"	12" HDPE	14.5"	Hole 16	16"	17.654"	7.75"	6"
Invert 3	441.5'	200°	24.142"	12" HDPE	14.5"	Hole 16	16"	17.027"	4.87"	-5"
Invert 4										
Invert 5										
Invert 6										
Invert 7										
Invert 8										

**RIGHT-SIDE UP VIEW (int. dimensions)**

**UPSIDE-DOWN VIEW (int. dimensions)**



**INSIDE WALL DIMENSIONS**



Coating (Int): Coating (Ext):	Seam Up: Flat Seam Dn: n/a	Wall Thickness: 8" Floor Height: 8"	Height (Int): 42" Height (Ext): 50"	Weight (Net): 5178 lb Volume (Net): 1.32cu.yd
----------------------------------	-------------------------------	--	--	--