

Structure ID: Str. 7-8 ST-CI

P1 BX2436-08BVF

BOX BASE 8inW, 8inF, Variable Ht F/n

P2) 24" x 36" - CASTING HEIGHT - 6" P1) 24" x 36" - BOX BASE 8inW, 8inF, Variable Ht F/n - 31" 1) CASTING - HOE 525 SET FLAT GRATE (F/G/H) 1) 24" x 36" - Conseal CS-102 1.00" 2) Hole - 16	0 lb 4234 lb 442 lb 0 lb 0 lb ----- Structure Total: 4676 lb
---	--

Structure Notes:

1. PER ASTM C913 SPECIFICATIONS.
2. CONCRETE = 4,000 PSI AT 28 DAYS.
3. NO INVERT CHANNEL.
4. CASTING BY ICAST (HOE 525 FLAT SET)

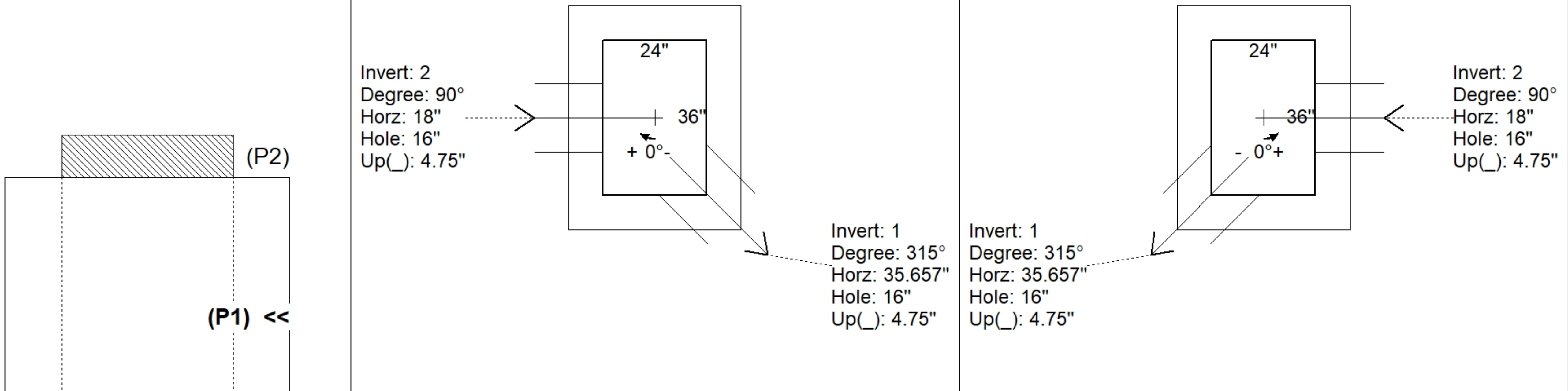
REINFORCING PER ASTM A615 (GRADE 60).
 - WALLS (As .12) #5 BARS AT 12" C.C.E.W.
 - FLOOR (As .12) #5 BARS AT 12" C.C.E.W.

Rim: 444.48' Rim to Invert: 2.62' Slack: 0.44" Sump: 6" Step Position:

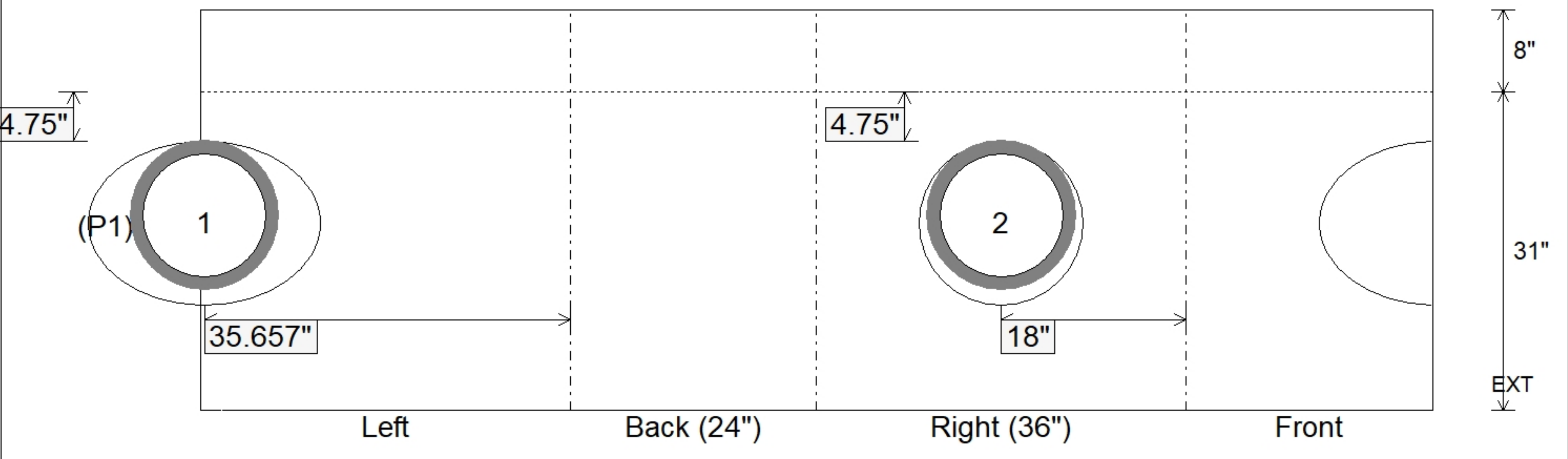
Position	Elev	Angle	Ext. (cw)	Pipe	Pipe OD	Connector	Hole	Horz Size	Up ()	Offset
Invert 1	441.86'	315°	51.657"	12" HDPE	14.5"	Hole 16	16"	11.657", 10.971"	4.75"	4"
Invert 2	441.86'	90°	26"	12" HDPE	14.5"	Hole 16	16"	16"	4.75"	0"
Invert 3										
Invert 4										
Invert 5										
Invert 6										
Invert 7										
Invert 8										

RIGHT-SIDE UP VIEW (int. dimensions)

UPSIDE-DOWN VIEW (int. dimensions)



INSIDE WALL DIMENSIONS



Coating (Int): Coating (Ext):	Seam Up: Flat Seam Dn: n/a	Wall Thickness: 8" Floor Height: 8"	Height (Int): 31" Height (Ext): 39"	Weight (Net): 4234 lb Volume (Net): 1.08cu.yd
----------------------------------	-------------------------------	--	--	--